



U.S. and Iowa (800) 831-6962, Canada No. (800) 888-7059
 Phone No. (712) 732-2760, Fax No. (712) 732-4401
 U.S. Fax No. (800) Any Flow, Website: www.merrillmfg.com

March 2002

Merrill products are not designed or engineered for use in a nuclear facility, or in conjunction with any nuclear facility or support facility. Use of any Merrill products in any such applications is a misuse of these products and voids all warranties contained herein, expressed and implied, of merchantability and fitness for a particular purpose.

Under no circumstances should Merrill frost proof yard hydrants be installed where the hydrant is allowed to drain into a water well or the drain water is allowed to come into contact with any drinking water supply. Merrill disclaims all liability of any kind and voids the hydrant warranty for installations of this product where it can or could drain back into a drinking water supply.

Merrill's total responsibility for damages whether arising in contract or tort arising out of or relating to its performance or the products covered here under, shall be limited to the contract price of the product. In no event shall Merrill be liable for any incidental or consequential damages such as loss of profit, loss of use of production or other facilities or equipment or any expenses incurred in reliance on the companies equipment whether suffered by the buyer or a third party. In no event shall Merrill be liable for expenses necessary to remove or reinstall any product supplied by Merrill, or for any damages to other property or equipment resulting from any such removal or reinstallation, without written consent from Merrill for a specific installation prior to original installation. Nothing in this paragraph shall in any way be construed to affect the liability the company may have for personal injury or any third party. Damages resulting from improper storage, improper handling, freezing, improper installation, fire, or any act of God will not be considered by Merrill as its liability. Merrill will not assume any expense or liability for repairs or modifications made to its products outside its facilities, without a written consent. Equipment and accessories used with the company product and supplies by other manufacturers are not warranted. Any complaint, controversy, or claim arising out of or relating to this warranty, or the breach thereof, shall first be communicated to Merrill's home office in Storm Lake, Iowa.

The foregoing warranty is only applicable to manufactured products by Merrill and any previous agreements, representations or warranties, oral or written are hereby canceled. No other express or implied warranties shall apply, including but not limited to implied warranties of merchantability and fitness to a particular use.

This warranty shall not apply if the product has been modified or altered in any way by others. Merrill will make no allowance for such alterations unless authorized in writing by the company prior to such alterations. In no event shall the company be liable for expenses necessary for the removal or reinstallation of any product supplied by Merrill, or for any damages to other property or equipment resulting from the removal or installation of such product.

This warranty does not cover or apply to any products or material supplied by but not manufactured by Merrill and is limited to actual warranty extended to Merrill by its supplier.

Merrill Manufacturing Company (herein after called "Merrill") warrants the products manufactured by us to be free from functional defects for a period of **ONE YEAR** from the date of shipment by Merrill to the ORIGINAL PURCHASER ONLY. This warranty is applicable under normal use and service provided its products are installed, used and maintained in accordance with Merrill instructions, limitations issued by Merrill, and all applicable local codes. The obligation under this warranty is limited to replacing or repairing, without charge, any part manufactured by Merrill proven to be defective at the time of shipment. Immediate written notification must be given by the purchaser to Merrill upon discovery of alleged defect. The company retains the right to have the product returned freight prepaid to establish a claim. All warranty replacements or refunds will be issued to original purchaser only, unless specifically agreed to by Merrill.

Merrill Manufacturing Limited Warranty
 To The Original Purchaser

UNDER NO CIRCUMSTANCES SHOULD MERRILL YARD HYDRANTS DRAIN BACK INTO WELL OR DRINKING WATER SUPPLY!

Merrill Mfg. disclaims all liability of any kind and voids the hydrant warranty for installations of this product where it can or could drain back into a drinking water supply.

INSTALLATION INSTRUCTIONS

Installing, adjusting and maintaining MERRILL Any Flow Yard Hydrant.

INSTALLATION:

1. First be sure water line on which hydrant is to be installed has been thoroughly flushed to wash out foreign particles. Merrill will not warrant or accept any responsibility if the water line is not flushed out prior to attachment of hydrant.
2. Be sure the hydrant is installed with provision for drainage below the frost line.
 - a. If hydrant is installed in a pit, the pit must have an open bottom or some form of drainage.
 - b. If hydrant is buried in the ground, a few tile can be laid in gravel or coarse material to form a field system for the drain.
 - c. If hydrant is buried in ground and no tile are used, be sure to put a quantity of gravel, crushed rock or some coarse material, not sand, around the drain of the hydrant. This will permit faster and better drainage.
3. **IMPORTANT** - If hydrant is buried in the ground, it is a good idea to put a brick or large stone under the hydrant, because when the hydrant drains and this subsoil becomes wet, it will allow the hydrant to settle and thus put a strain on the pipe to which it is connected. A brick or stone would carry this weight.
4. To connect the hydrant to the water line, just turn it onto the male thread connection for which it is intended. Merrill has hydrant ells and tee fittings available for connection to flexible poly pipe.
 - a. **CAUTION** - When the hydrant is tightened, be careful that it is not tightened so tightly that the hydrant head or valve body will be screwed further onto the pipe and thus change the adjustment of the hydrant. If this should happen, refer to the adjustment section for the proper adjustment.
5. **IMPORTANT** - Before backfilling the trench, turn on the water. Then turn on the hydrant by raising the handle to let the water flow. If the hydrant is not working properly, refer to Adjustment section. Merrill will not accept any responsibility for digging up the hydrant if the installer fails to flush out the water line before attaching hydrant to water line AND to check the hydrant for proper operation before backfilling the trench. **WARNING: If the ground freezes at or below the bottom of this hydrant, your warranty is void and damage due to improper installation or act of nature is not covered by manufacturer.**

ADJUSTMENT:

1. The correct adjustment of this hydrant can be checked by raising the lever. Water should not run through the hydrant until the lever passes the half way point or horizontal position. When water is flowing through the hydrant it should shut off when lever comes down to the horizontal point. The last half travel of the lever in closing the hydrant opens the drain hole. Also in turning the hydrant on, the first half travel of the lever puts the cup seals in position to positively close the drain before the water is turned on. This advanced patented feature is found only in the Merrill Any Flow Hydrant.
2. Adjusting the plunger in the lower valve body.
 - a. To lower the plunger assembly into the valve body, take the G-15 bolt out of the head casting and remove the handle and G-20 draw straps (note: draw straps are bent inward which applies pressure on the handle when opening the hydrant). With two wrenches loosen the (2) 9/16" nuts on each side of the G-25 pivot connector. To lower the plunger, turn the top nut upward, (only one thread), then tighten the lower nut upward toward the G-25 pivot connector (or raise the G-25), then tighten top nut.
 - b. To determine if the water is not draining out the stand pipe, turn the hydrant on and let the water flow. Then push down the handle to close the hydrant with a cup of water covering the nozzle. If the water in the cup siphons back through the hydrant, the plunger is in the correct position. If the water does not siphon out of the cup, then adjust the plunger in the same way as stated in (a). Then check to see if the water siphons out of the cup after adjustment.

MAINTENANCE:

1. In maintenance, nothing is needed - But, a few drops of oil occasionally on the cam of the lever will prolong its life.
2. If the hydrant should ever need a new seat washer - it uses a beveled bibb washer.
3. To replace any valve or plunger parts, **NO NEED DIGGING UP HYDRANT** - First turn off water pressure, then simply mark the threads on the pipe by putting a piece of electrical tape around the pipe just below the hydrant head and unscrew entire head casting from stand pipe and pull up stem and valve parts. Then thread head casting back to same mark on pipe after parts are replaced.

For any questions CALL MERRILL 712-732-2760

CAUTION: USE WRENCH ON VALVE BODY AND FITTING ONLY!

DO NOT USE WRENCH ON THIS STAND PIPE! ADDITIONAL TIGHTENING OR LOOSENING WILL CHANGE ADJUSTMENT OF HYDRANT AND COULD RESTRICT WATER FLOW OR MAKE THE HYDRANT INOPERATIVE.

NOTE: FOR ANY QUESTIONS - HELP WITH INSTALLATION - PROBLEMS IN THE FIELD CALL 712-732-2760

DO NOT DIG UP HYDRANT - CALL MERRILL FIRST.

CAUTION: If the hose is attached to nozzle of hydrant when hydrant is shut off, back siphoning can occur if end of hose is left in container of liquid. The end of hose must be left open to the air so hydrant can drain back. Under no circumstances should Merrill Yard Hydrants drain back into well or drinking water supply!

Merrill Mfg. disclaims all liability of any kind and voids the hydrant warranty for installations of this product where it can or could drain back into a drinking water supply. Consult with factory if system pressure is over 100 psi before installation of this product.



U.S. and Iowa (800) 831-6962, Canada No. (800) 888-7059
 Phone No. (712) 732-2760, Fax No. (712) 732-4401
 U.S. Fax No. (800) Any Flow, Website: www.merrillmfg.com

March 2002

Merrill products are not designed or engineered for use in a nuclear facility, or in conjunction with any nuclear facility or support facility. Use of any Merrill products in any such applications is a misuse of these products and voids all warranties contained herein, expressed and implied, of merchantability and fitness for a particular purpose.

Under no circumstances should Merrill frost proof yard hydrants be installed where the hydrant is allowed to drain into a water well or the drain water is allowed to come into contact with any drinking water supply. Merrill disclaims all liability of any kind and voids the hydrant warranty for installations of this product where it can or could drain back into a drinking water supply.

Merrill's total responsibility for damages whether arising in contract or tort arising out of or relating to its performance or the products covered here under, shall be limited to the contract price of the product. In no event shall Merrill be liable for any incidental or consequential damages such as loss of profit, loss of use of production or other facilities or equipment or any expenses incurred in reliance on the companies equipment whether suffered by the buyer or a third party. In no event shall Merrill be liable for expenses necessary to remove or reinstall any product supplied by Merrill, or for any damages to other property or equipment resulting from any such removal or reinstallation, without written consent from Merrill for a specific installation prior to original installation. Nothing in this paragraph shall in any way be construed to affect the liability the company may have for personal injury or any third party. Damages resulting from improper storage, improper handling, freezing, improper installation, fire, or any act of God will not be considered by Merrill as its liability. Merrill will not assume any expense or liability for repairs or modifications made to its products outside its facilities, without a written consent. Equipment and accessories used with the company product and supplies by other manufacturers are not warranted. Any complaint, controversy, or claim arising out of or relating to this warranty, or the breach thereof, shall first be communicated to Merrill's home office in Storm Lake, Iowa.

The foregoing warranty is only applicable to manufactured products by Merrill and any previous agreements, representations or warranties, oral or written are hereby canceled. No other express or implied warranties shall apply, including but not limited to implied warranties of merchantability and fitness to a particular use.

This warranty shall not apply if the product has been modified or altered in any way by others. Merrill will make no allowance for such alterations unless authorized in writing by the company prior to such alterations. In no event shall the company be liable for expenses necessary for the removal or reinstallation of any product supplied by Merrill, or for any damages to other property or equipment resulting from the removal or installation of such product.

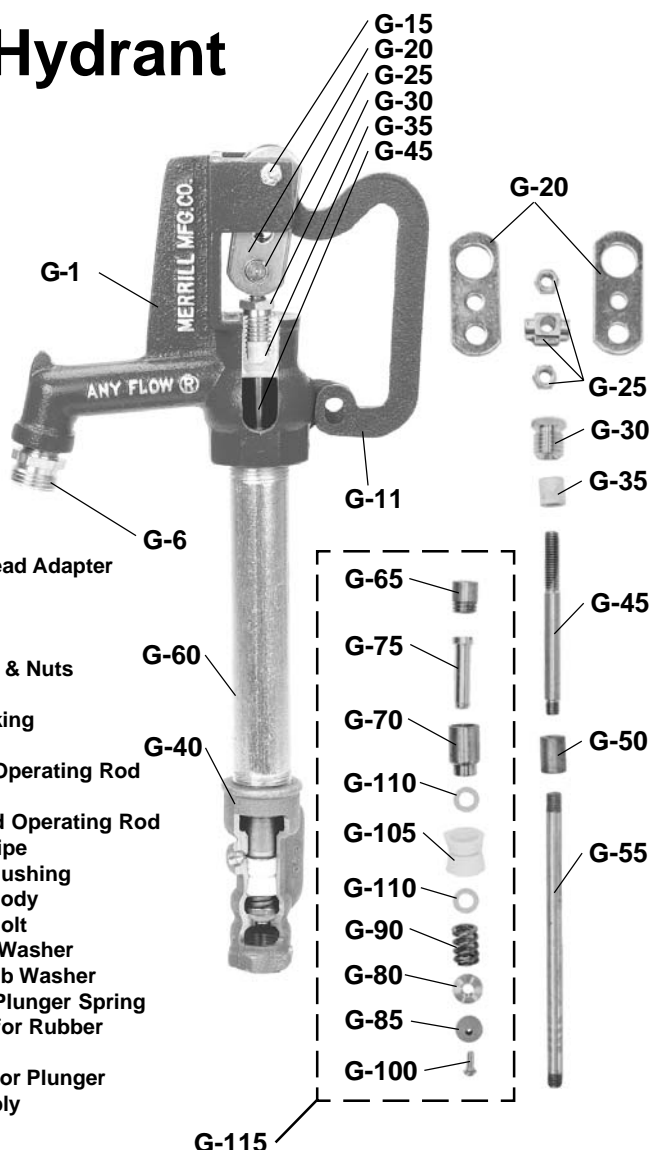
This warranty does not cover or apply to any products or material supplied by but not manufactured by Merrill and is limited to actual warranty extended to Merrill by its supplier.

Merrill Manufacturing Company (herein after called "Merrill") warrants the products manufactured by us to be free from functional defects for a period of **ONE YEAR** from the date of shipment by Merrill to the ORIGINAL PURCHASER ONLY. This warranty is applicable under normal use and service provided its products are installed, used and maintained in accordance with Merrill instructions, limitations issued by Merrill, and all applicable local codes. The obligation under this warranty is limited to replacing or repairing, without charge, any part manufactured by Merrill proven to be defective at the time of shipment. Immediate written notification must be given by the purchaser to Merrill upon discovery of alleged defect. The company retains the right to have the product returned freight prepaid to establish a claim. All warranty replacements or refunds will be issued to original purchaser only, unless specifically agreed to by Merrill.

Merrill Manufacturing Limited Warranty
 To The Original Purchaser

MERRILL Parts List

ANY FLOW Series Yard Hydrant



Part No.	Part Description
G-1	Head Casting
G-6	Brass Hose Thread Adapter
G-11	Lever Casting
G-15	Lever Bolt
G-20	Draw Straps
G-25	Pivot Connector & Nuts
G-30	Packing Nut
G-35	Valve Stem Packing
G-40	Valve Body
G-45	Stainless Steel Operating Rod
G-50	Brass Reducer
G-55	7/16" Galvanized Operating Rod
G-60	1" Galvanized Pipe
G-65	Brass Plunger Bushing
G-70	Brass Plunger Body
G-75	Brass Plunger Bolt
G-80	Brass Threaded Washer
G-85	3/8" Beveled Bibb Washer
G-90	Stainless Steel Plunger Spring
G-100	Retainer Screw for Rubber
G-105	Cup Leathers
G-110	Brass Washers for Plunger
G-115	Plunger Assembly

Hydrants available with optional Red Brass Hydrant Ells or Tees. Include number (i.e. RBHE75) after Order No.
 RBHE75 3/4" NPT x 3/4" Plastic Pipe Elbow
 RBHE100 3/4" NPT x 1" Plastic Pipe Elbow
 RBHT75 3/4" NPT x 3/4" Plastic Pipe Tee
 RBHT7510 3/4" NPT x 1" Plastic Pipe Tee

