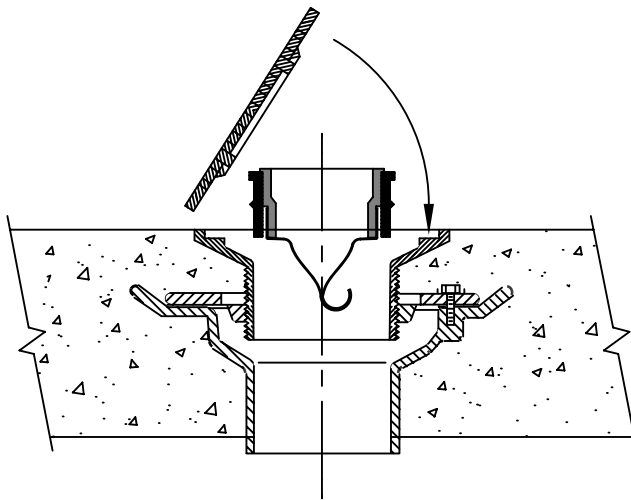


TRAP GUARD INSERT FOR EXSISTING DRAINS

USED TO RETROFIT DRAINS WITH 4" I.D. TAILPIECE



THE 3" TRAP GUARD COMES INSIDE A FLEXIBLE BUSHING THAT WILL FIT MOST 4" STRAINER TAILPIECES OR ANY 4" HUB SIZE OPENINGS, PLASTIC OR CAST IRON.

IMPORTANT INSTALLATION NOTES:

1. Remove the existing strainer off the top of the floor drain tailpiece.
2. Make sure the inside of the tailpiece is clean before inserting the TG34IP Trap Guard.
3. It may be necessary to use a lubricant on the outside of the bushing for an easier insertion.
4. The taper on the top of the TG34IP bushing flange should fit flush with the taper in the top of the tailpiece so the Trap Guard insert is not installed above the taper in the drain opening.

Note: Care should be taken not to touch the flexible material with the primer or solvent cement.

MAINTENANCE INSTRUCTIONS:

The Trap Guard device should be inspected periodically for build up of any type debris. The device should then be flushed out thoroughly with clear warm water.
Not to be used on waxed or grease-laden floors.



NO FIRE RATINGS ARE
REQUIRED FOR UNDERGROUND
PIPING OR OPENINGS



PROSET[®]
SYSTEMS
FIRESTOP PENETRATOR™

DATE :
8-10-11

DRG . NO .
TG-34