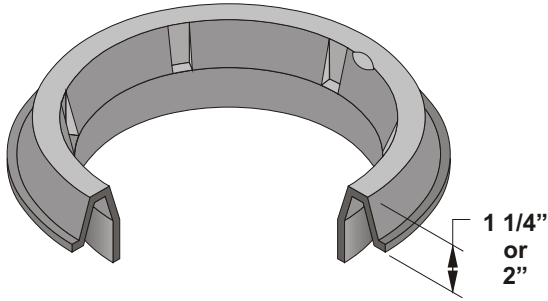


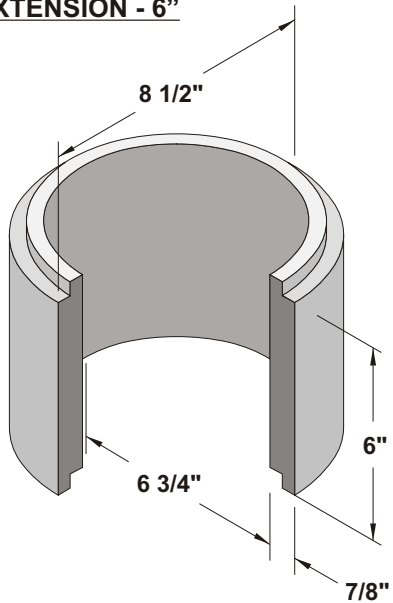
No. 1-RT - RISER RING - 1 1/4"

WT. 15 lbs.



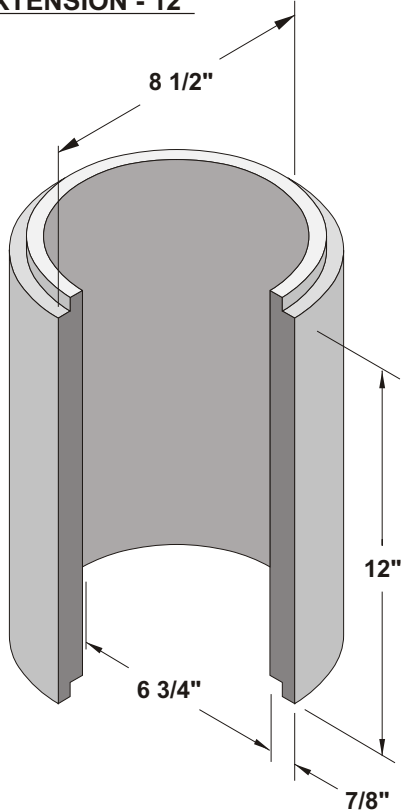
No. 1-RT - EXTENSION - 6"

WT. 10 lbs.



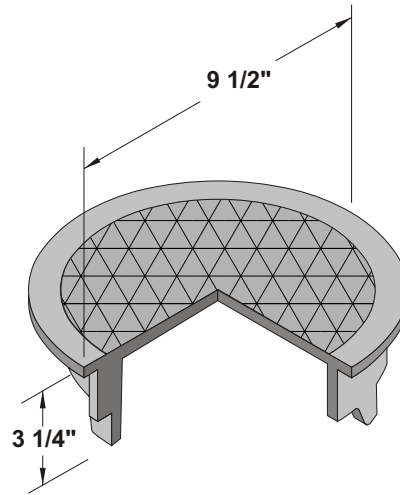
No. 1-RT - EXTENSION - 12"

WT. 19 lbs.



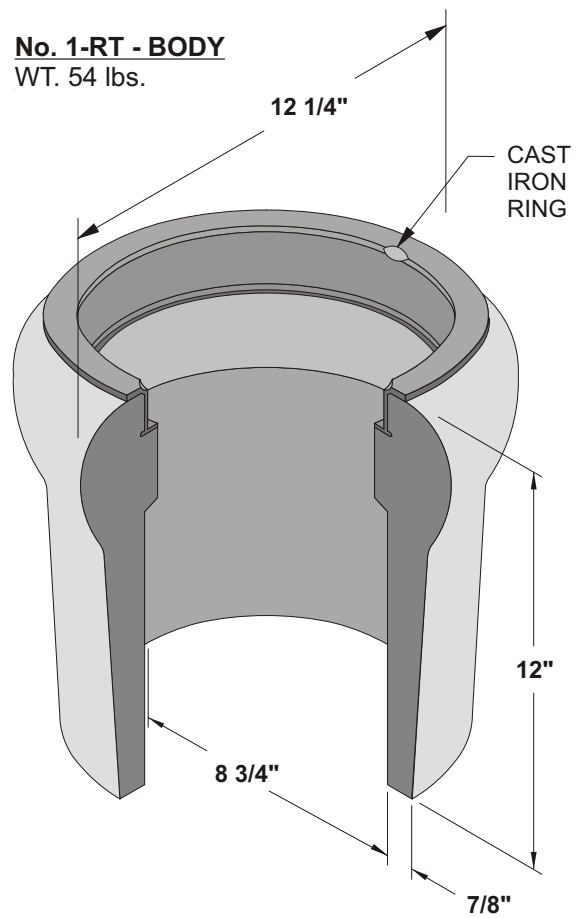
No. 1-RT-CI COVER

WT. 12 lbs.



No. 1-RT - BODY

WT. 54 lbs.



8 3/4" Dia. x 12"
TRAFFIC VALVE BOX

ORG. DWG. DATE
01-11-96

REV. DWG. DATE
11-13-00

BROOKO
PRODUCTS

1-RT