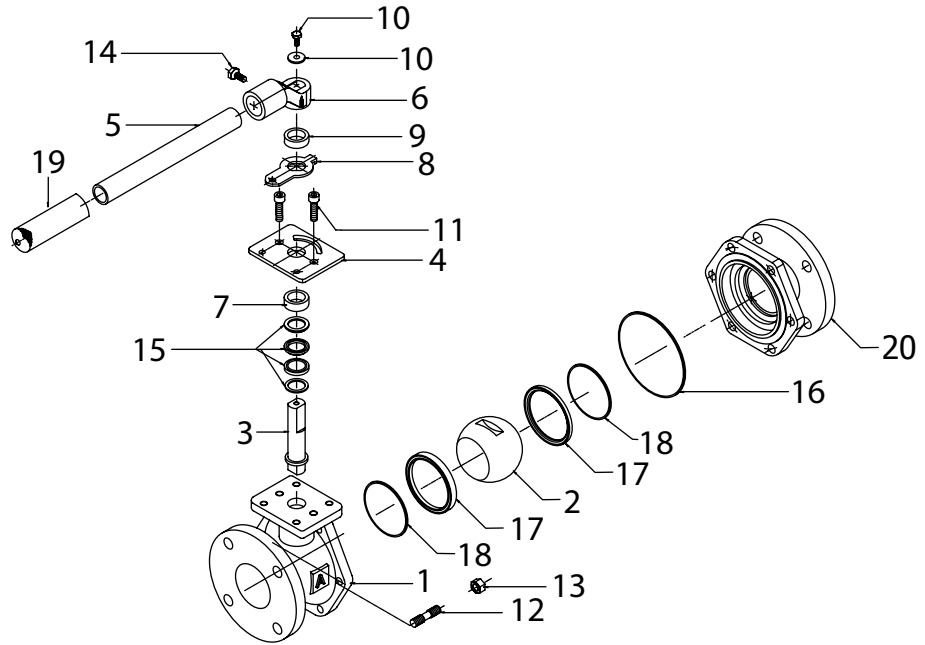


MODEL 4000D

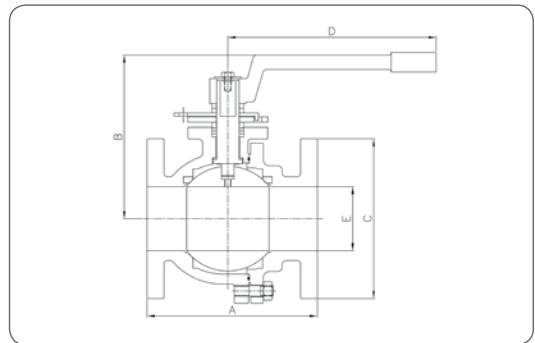
Ductile Iron Flanged End Ball Valve



Part	Material
1 Body	Ductile Iron/A536
2 Ball	Stainless Steel/PFA* Fused
3 Stem	Stainless Steel
4 Gland Plate	Steel
5 Handle	Steel
6 Handle Bracket	Ductile Iron
7 Packing Follower	Stainless Steel
8 Stem Indicator	Steel
9 Handle Bracket Spacer	Steel
10 Stem Stud	Carbon Steel
11 Gland Stud	Carbon Steel
12 Body Stud	Carbon Steel
13 Body Nut	Carbon Steel
14 Handle Bracket Bolt	Carbon Steel
15 Packing	PTFE (Chevron)
16 Body Gasket	PTFE
17 Seat Ring	RPTFE 15% GF
18 Back Seat O-Ring	PTFE
19 Handle Grip	Vinyl Rubber Foam
20 Body Cap	Ductile Iron/A536



DIMENSIONS:	2	2 ½	3	4	6	8	10
A Face to Face	7"	7.5"	8"	9"	10.5"	11.5"	13"
B Center of Port to Top	6.5"	7.5"	8.25"	9"	12"	12.25"	13.5"
C Flange Diameter	6"	7"	7.5"	9"	11"	13.5"	16"
D Center of Valve to Handle End	12.25"	14"	14"	16"	30.5"	30.5"	33.625"
E Port Diameter	2"	2.5"	3"	4"	6"	6"	7.875"
Bolt Holes	4	4	4	8	8	8	12
Weight lbs.	25	42	55	78	149	194	318
CV	500	750	1245	2500	5470	4150	6700



SPECIFICATIONS:

- A536 Grade 65-45-12 Ductile Iron Body
- PFA* Fused Solid Stainless Steel Ball
- Blow-out Proof Stainless Steel Stem
- Reinforced PTFE Seats
- Face to Face and Flanged Dimensions conform to ANSI Standard B16.10 which exactly match end to end dimensions of carbon steel ball valves, ductile iron gate valves, and plug valves
- Lockable in Full Open or Closed Positions
- Mounting Pad for Easy Actuation
- Adjustable Length/Removable Handles to fit into areas of limited space
- Full Port through 6"

MSS SP-72
ANSI B16.5 Raised Face
FED. SPEC. WW-V-35
AWWA C507-99 Proof of Design Test

RATING:

150 psi WSP
300 psi WOG
366° F

This Ductile Iron Ball Valve has been engineered to replace any plug valve, carbon steel ball valve, or gate valve.

*PFA is an ingredient commonly branded as Teflon®.

SAMPLE SPECIFICATION:

Ball valves shall be of the floating-ball design capable of providing bi-directional, tight shutoff in accordance with MSS SP-72. The valves shall be rated at 150# WSP/300# WOG. Bodies shall be ductile iron per ASTM A536, With ANSI Class 150 raised-face flanges. The interior and exterior of the body shall be epoxy-coated. The ball shall be PFA infused stainless steel, with a stainless steel blowout-proof stem. The seats and body seals shall be PTFE. The stem seal shall be PTFE, externally adjustable chevron type. Valves shall be equipped with locking handles as standard. If service conditions require, valves may be equipped with 2" square operating nuts, manual gear operators, or pneumatic, electric, or hydraulic actuators. Valves shall be the Series 4000D as manufactured by American Valve, Inc. or as approved by the engineer.