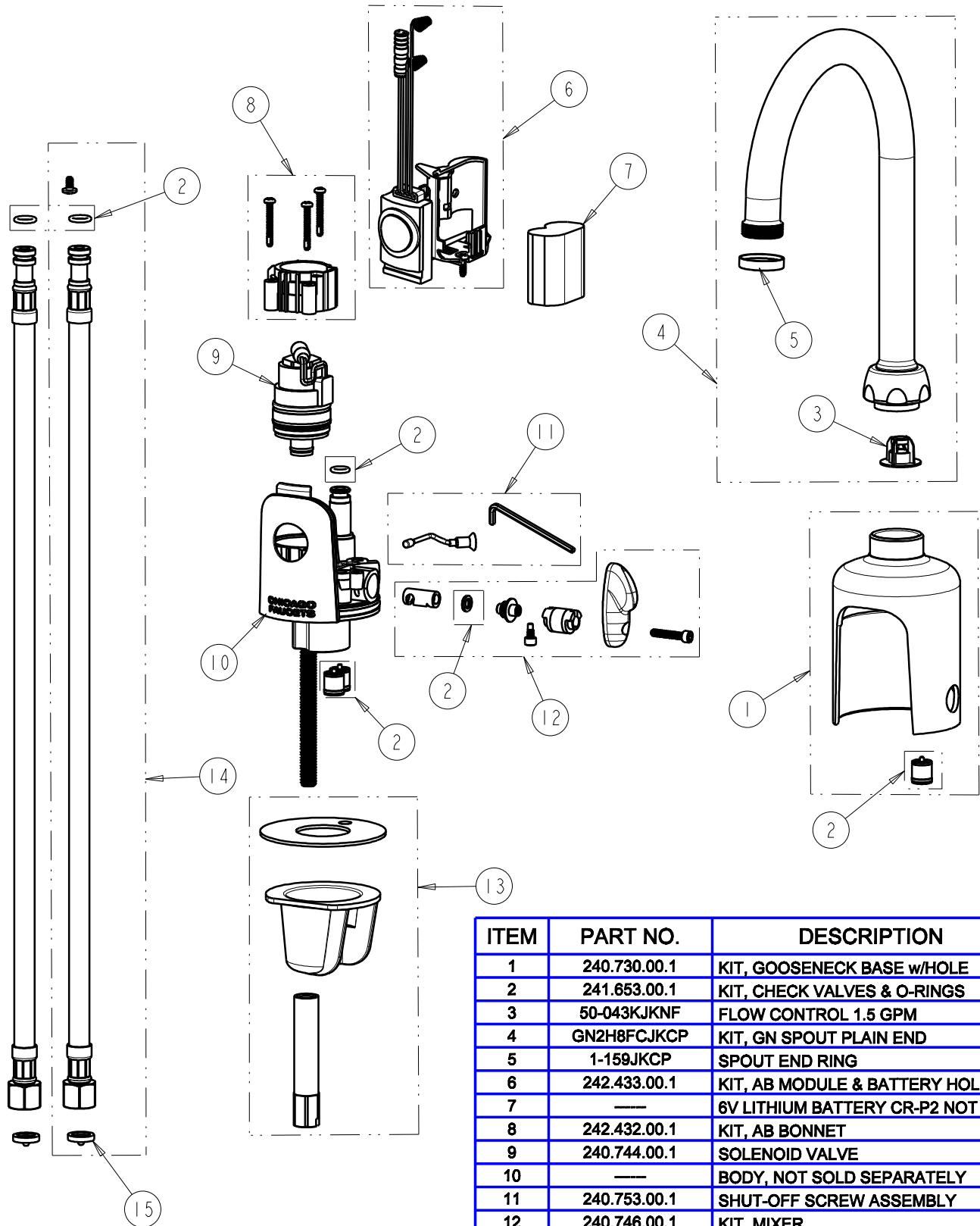


**FOR TECHNICAL ASSISTANCE**  
1-800-TEC-TRUE (1-800-832-8783)



ITEM	PART NO.	DESCRIPTION
1	240.730.00.1	KIT, GOOSENECK BASE w/HOLE
2	241.653.00.1	KIT, CHECK VALVES & O-RINGS
3	50-043KJKNF	FLOW CONTROL 1.5 GPM
4	GN2H8FCJKCP	KIT, GN SPOUT PLAIN END
5	1-159JKCP	SPOUT END RING
6	242.433.00.1	KIT, AB MODULE & BATTERY HOLDER
7	---	6V LITHIUM BATTERY CR-P2 NOT SOLD
8	242.432.00.1	KIT, AB BONNET
9	240.744.00.1	SOLENOID VALVE
10	---	BODY, NOT SOLD SEPARATELY
11	240.753.00.1	SHUT-OFF SCREW ASSEMBLY
12	240.746.00.1	KIT, MIXER
13	240.745.00.1	KIT, DECK MOUNTING HARDWARE
14	240.693.00.1	KIT, SS BRAIDED HOSE (QTY 1)
15	3300-005JKNF	FILTER/SCREEN