

# Mirabelle®

## ST. AUGUSTINE COLLECTION

### THERMOSTATIC VALVE TRIM KIT

**Product Codes:**

MIRSA9009CP (polished chrome)

MIRSA9009BN (brushed nickel)

MIRSA9009ORB (oil rubbed bronze)

- Lever style metal handle
- Temperature outlet factory preset to 104° F  
(temperature can be easily adjusted up and down to user's comfort level)
- Scald guard protection
- High temperature limit stop
- Requires rough-in valve (MIR6004 or MIR6006)
- Wall thickness range 1" to 1-3/4"
- Recommended valve installation depth 1-5/8" to 2-3/8"
- Extension kit available (MIR6004EXT)
- Lifetime limited warranty
- Meets ANSI:A112.18.1M
- cUPC/IAPMO listed
- ADA compliant



See dimensional drawing on next page

© 2015 Ferguson Enterprises, Inc. 23850 0115



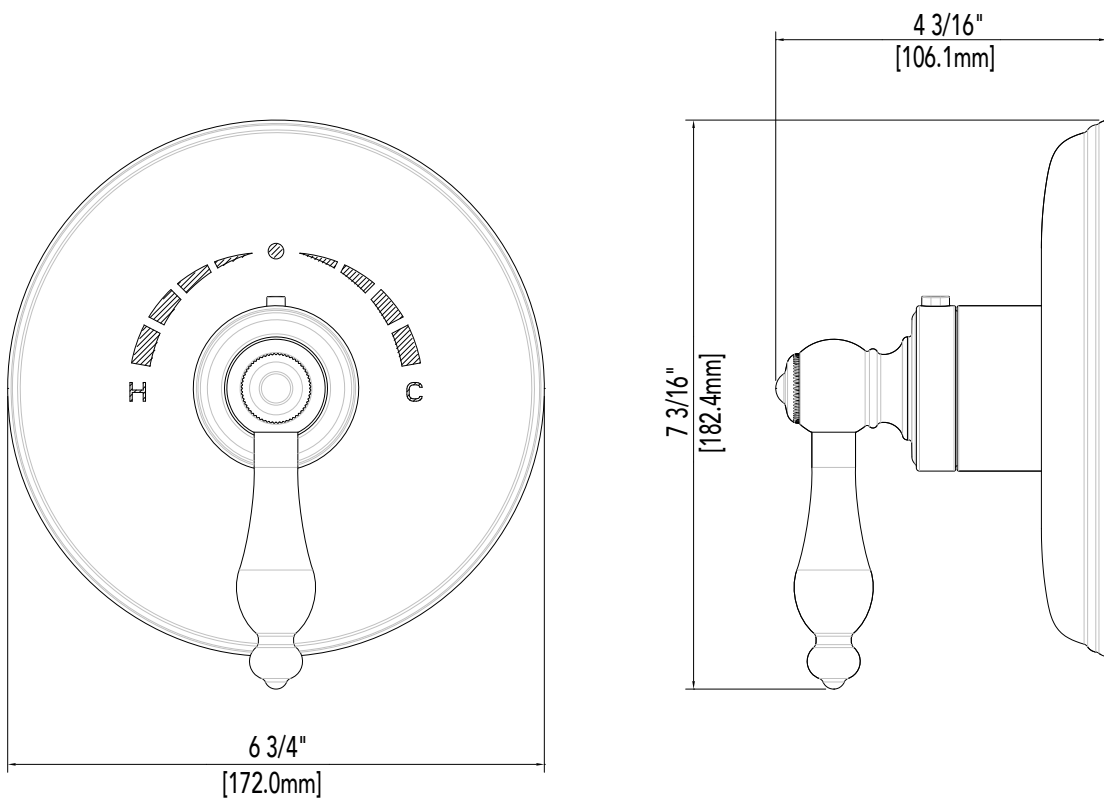
# Mirabelle®

## ST. AUGUSTINE COLLECTION

### THERMOSTATIC VALVE TRIM KIT

**Product Codes:**

- MIRSA9009CP (polished chrome)
- MIRSA9009BN (brushed nickel)
- MIRSA9009ORB (oil rubbed bronze)



Note: All dimensions and specifications are nominal and may vary  $\pm 1/4''$ . Use actual products for accuracy in critical situations.