

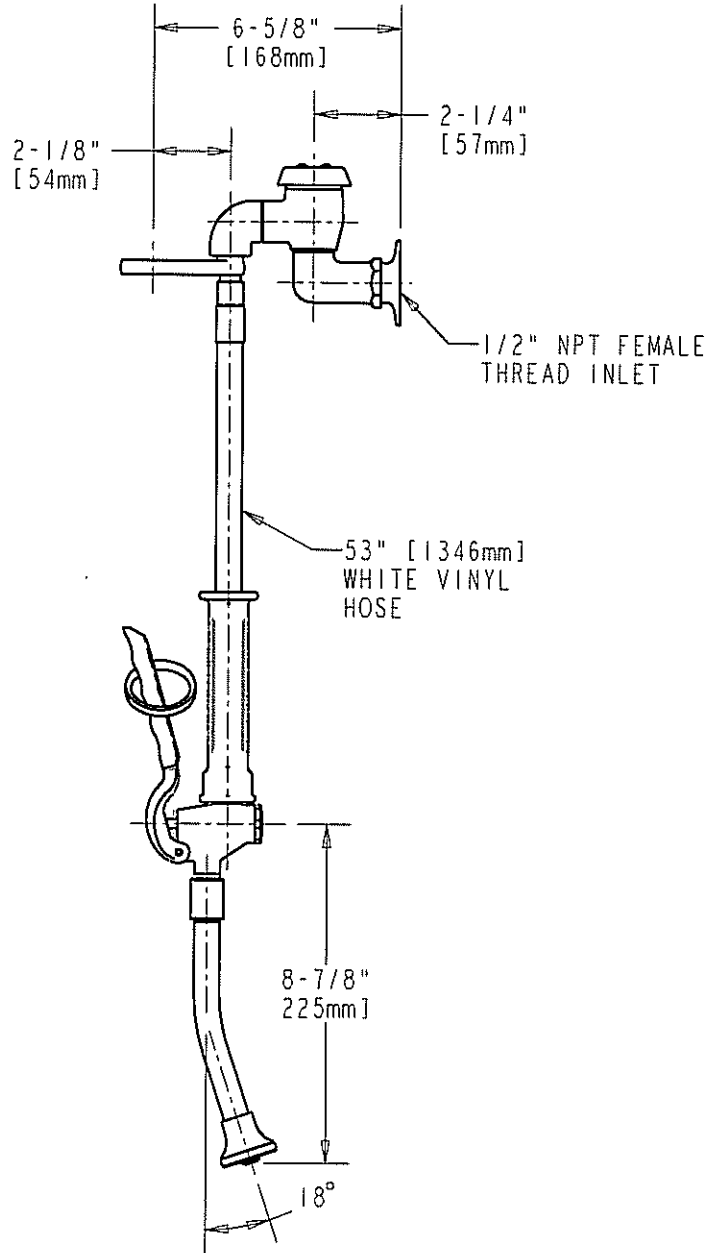
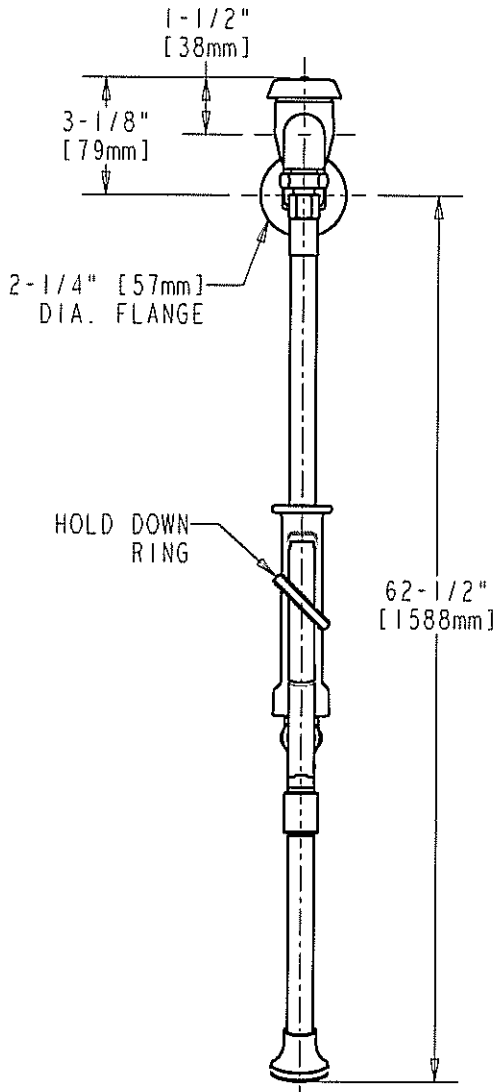
JOB NAME

ITEM NO.

SUBMITTED AS SHOWN

SUBMITTED AS NOTED

SEE ATTACHED FOR
SUBMITTED MODIFICATION



ROUGHING IN DIMENSIONS MAY VARY AND ARE SUBJECT TO CHANGE. NO RESPONSIBILITY IS ASSUMED FOR USE OF SUPERCEDED OR VOIDED DATA.

TECHNICAL DATA

- WALL MOUNTED OUTLET WITH SPRAY
- ATMOSPHERIC VACUUM BREAKER
- 777-21K SELF CLOSING VALVE
- ANGLE SPRAY HEAD WITH RUBBER BUMPER
- FINISH: CHROME PLATE

- E21 RUBBER BOUND SPRAY OUTLET
- 53" [1346mm] WHITE VINYL HOSE WITH INSULATED HANDLE
- ASME A112.12.1M COMPLIANT
- CSA B125 COMPLIANT

DATE: 1-26-06

BY: JAR

CHK'D:

APP'D: *[Signature]*

REV:

778-SVB777-21K