



WOOD SCREWS

- Zinc Plated, Carbon Steel, Rolled Thread
- Type 1, Cross Recessed, Countersunk head
- For use with Phillips driver #3

Properties/Standards



Material & Mechanical Properties: ASME B18.6.1

Material: Carbon Steel

Thread Dimensions: ASME B18.6.1

Plating: ASTM F1941 Fe/Zn 3AT

Packaging: Bagged (See Qty/per below)

Dimensional Specifications

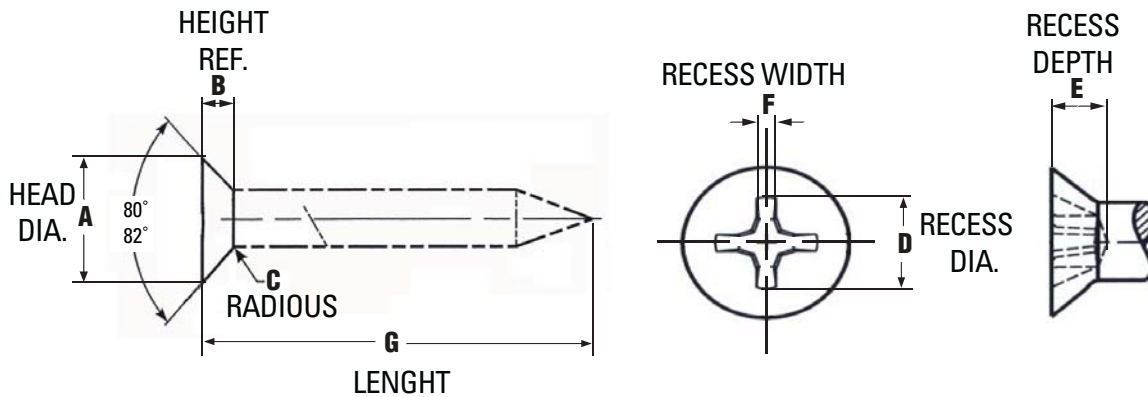


FIG 1.1

Type 1 Cross Recessed, Countersunk Head Dimensions and Body Length

Nominal Size	Threads Per Inch	A. Head Diameter		B. Head Height Ref.	C. Fillet Radius max	D. Phillips Recess Dia.		E. Recess Depth		F. Recess Width	Driver Size	G. Length	ALT #	Master #	Pack Qty
		max	min			max	min	max	min						
12	11	0.438	0.389	0.132	0.162	0.283	0.270	0.171	0.148	0.036	3	1-1/2"	PS000909	4566010	50
12	11	0.438	0.389	0.132	0.162	0.283	0.270	0.171	0.148	0.036	3	2"	PS000910	4566011	50
12	11	0.438	0.389	0.132	0.162	0.283	0.270	0.171	0.148	0.036	3	2-1/2"	PS000911	4566012	50
14	10	0.507	0.452	0.153	0.093	0.283	0.270	0.171	0.148	0.036	3	1-1/2"	PS000913	4566013	50
14	10	0.507	0.452	0.153	0.093	0.283	0.270	0.171	0.148	0.036	3	2"	PS000915	4566014	50
14	10	0.507	0.452	0.153	0.093	0.283	0.270	0.171	0.148	0.036	3	2-1/2"	PS000916	4566016	50
14	10	0.507	0.452	0.153	0.093	0.283	0.270	0.171	0.148	0.036	3	3"	PS000918	4566019	50



WOOD SCREWS

Dimensional Specifications

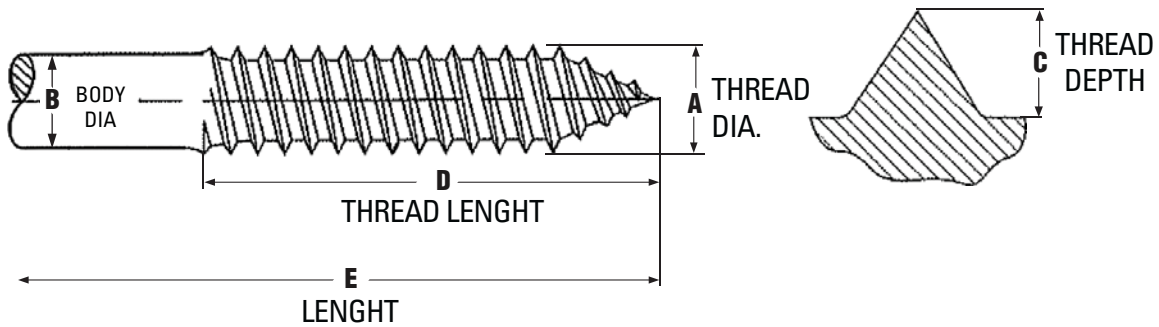


FIG 1.2

Single Lead Rolled Thread Length & Dimensions

Nominal Size	Threads Per Inch	Basic Diameter	A. Thread Major Dia.		B. Thread Body Dia.		C. Thread Depth	D. Thread Length	E. Length	ALT #	Master #
			max	min	max	min					
12	11	0.216	0.220	0.209	0.176	0.165	0.031	1"	1-1/2"	PS000909	4566010
12	11	0.216	0.220	0.209	0.176	0.165	0.031	1-1/3"	2"	PS000910	4566011
12	11	0.216	0.220	0.209	0.176	0.165	0.031	1-2/3"	2-1/2"	PS000911	4566012
14	10	0.242	0.246	0.235	0.201	0.190	0.035	1"	1-1/2"	PS000913	4566013
14	10	0.242	0.246	0.235	0.201	0.190	0.035	1-1/3"	2"	PS000915	4566014
14	10	0.242	0.246	0.235	0.201	0.190	0.035	1-2/3"	2-1/2"	PS000916	4566016
14	10	0.242	0.246	0.235	0.201	0.190	0.035	2"	3"	PS000918	4566019