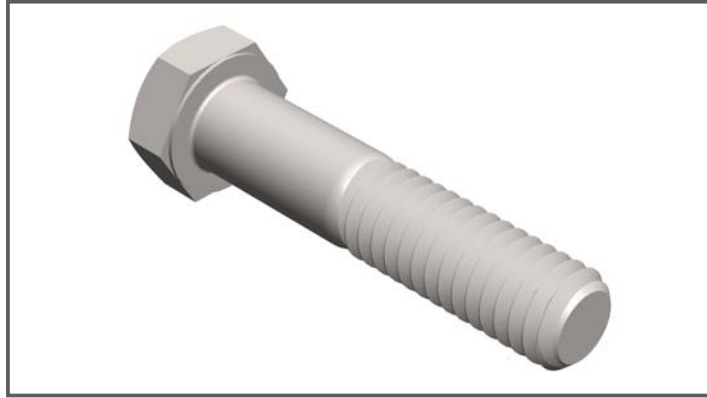




HEX CAP SCREWS (GRADE 2)

- Zinc Plated, Grade 2 Carbon Steel, Coarse Rolled Thread



Properties/Standards

Material & Mechanical Properties: SAE J429; Grade 2

Material: Low Carbon Steel

Proof Load Stress Min.: 1/4" to 3/4" - 55 ksi

7/8" to 1" - 33 ksi

Tensile Strength Min.: 1/4" to 3/4" - 74 ksi

7/8" to 1" - 60 ksi

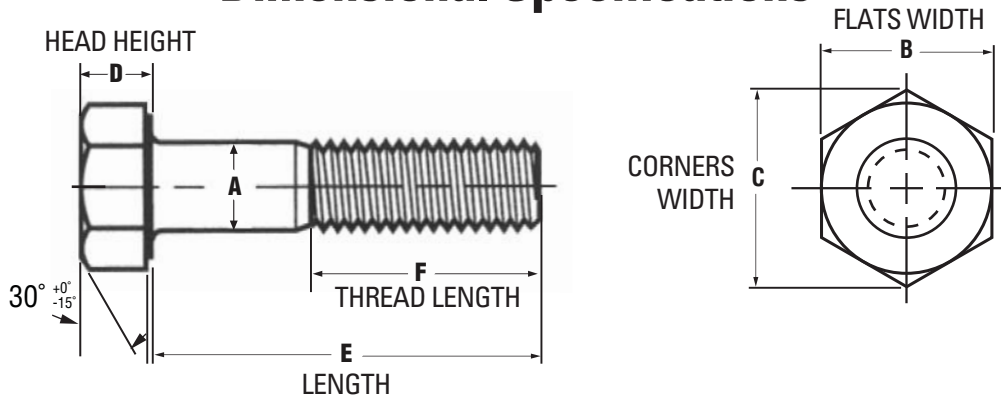
Hardness Min.: 32 HRC

Thread Dimensions: ASME B18.2.1

Plating: ASTM F1941 Fe/Zn 3AT

Packaging: Bagged (See Qty/per below)

Dimensional Specifications



Nominal Size	Threads Per Inch	A. Body Diameter			B. Width Across Flats			C. Width Across Corners		D. Head Height			E. Length	F. Thread Length	Proof Load lb.	Tensile Strength min. lb.	ALT #	Master #	Pack Qty
		basic	max	min	basic	max	min	max	min	basic	max	min							
1/4"	20	0.2500	0.2500	0.2450	7/16	0.438	0.428	0.505	0.488	5/32	0.163	0.150	1"	1.000	1750	2350	PS000412	4565985	50
1/4"	20	0.2500	0.2500	0.2450	7/16	0.438	0.428	0.505	0.488	5/32	0.163	0.150	1-1/2"	0.750	1750	2350	PS000414	4565988	50
5/16"	18	0.3125	0.3125	0.3065	1/2	0.500	0.489	0.577	0.557	13/64	0.211	0.195	1"	1.000	2900	3900	PS000427	4565994	100
5/16"	18	0.3125	0.3125	0.3065	1/2	0.500	0.489	0.577	0.557	13/64	0.211	0.195	2"	0.875	2900	3900	PS000431	4565997	100
3/8"	16	0.3750	0.3750	0.3690	9/16	0.562	0.551	0.650	0.628	15/64	0.243	0.226	3/4"	0.750	4250	5750	PS000439	4565998	25
3/8"	16	0.3750	0.3750	0.3690	9/16	0.562	0.551	0.650	0.628	15/64	0.243	0.226	1"	1.000	4250	5750	PS000440	4565999	25
3/8"	16	0.3750	0.3750	0.3690	9/16	0.562	0.551	0.650	0.628	15/64	0.243	0.226	1-1/4"	1.250	4250	5750	PS000441	4566000	25
3/8"	16	0.3750	0.3750	0.3690	9/16	0.562	0.551	0.650	0.628	15/64	0.243	0.226	1-1/2"	1.000	4250	5750	PS000442	4566001	25
3/8"	16	0.3750	0.3750	0.3690	9/16	0.562	0.551	0.650	0.628	15/64	0.243	0.226	1-3/4"	1.000	4250	5750	PS000443	4566002	25
3/8"	16	0.3750	0.3750	0.3690	9/16	0.562	0.551	0.650	0.628	15/64	0.243	0.226	2-1/2"	1.000	4250	5750	PS000446	4566003	25
3/8"	16	0.3750	0.3750	0.3690	9/16	0.562	0.551	0.650	0.628	15/64	0.243	0.226	3"	1.000	4250	5750	PS000448	4566004	25

*General Note: Proof load, tensile strength and hardness testing to ASTM F606.



HEX CAP SCREWS (GRADE 2)

Dimensional Specifications

Nominal Size	Threads Per Inch	A. Body Diameter			B. Width Across Flats			C. Width Across Corners		D. Head Height			E. Length	F. Thread Length	Proof Load lb.	Tensile Strength min. lb.	ALT #	Master #	Pack Qty
		basic	max	min	basic	max	min	max	min	basic	max	min							
1/2"	13	0.5000	0.5000	0.4930	3/4	0.750	0.736	0.866	0.840	5/16	0.323	0.302	3/4"	0.750	7800	10500	PS000453	4566005	10
1/2"	13	0.5000	0.5000	0.4930	3/4	0.750	0.736	0.866	0.840	5/16	0.323	0.302	1"	1.000	7800	10500	PS000454	4566006	10
1/2"	13	0.5000	0.5000	0.4930	3/4	0.750	0.736	0.866	0.840	5/16	0.323	0.302	1-1/2"	1.500	7800	10500	PS000456	4566007	10
1/2"	13	0.5000	0.5000	0.4930	3/4	0.750	0.736	0.866	0.840	5/16	0.323	0.302	2-3/4"	1.250	7800	10500	PS000461	4566008	10
1/2"	13	0.5000	0.5000	0.4930	3/4	0.750	0.736	0.866	0.840	5/16	0.323	0.302	3"	1.250	7800	10500	PS000462	4566009	10
5/8"	11	0.6250	0.6250	0.6170	15/16	0.938	0.922	1.083	1.051	25/64	0.403	0.378	1-1/4"	1.250	12400	16700	PS000470	4566015	8
5/8"	11	0.6250	0.6250	0.6170	15/16	0.938	0.922	1.083	1.051	25/64	0.403	0.378	1-1/2"	1.500	12400	16700	PS000471	4566017	8
5/8"	11	0.6250	0.6250	0.6170	15/16	0.938	0.922	1.083	1.051	25/64	0.403	0.378	1-3/4"	1.750	12400	16700	PS000472	4566018	8
5/8"	11	0.6250	0.6250	0.6170	15/16	0.938	0.922	1.083	1.051	25/64	0.403	0.378	2"	2.000	12400	16700	PS000473	4566020	8
5/8"	11	0.6250	0.6250	0.6170	15/16	0.938	0.922	1.083	1.051	25/64	0.403	0.378	2-1/4"	1.500	12400	16700	PS000474	4566021	8
5/8"	11	0.6250	0.6250	0.6170	15/16	0.938	0.922	1.083	1.051	25/64	0.403	0.378	2-1/2"	1.500	12400	16700	PS000475	4566022	4
5/8"	11	0.6250	0.6250	0.6170	15/16	0.938	0.922	1.083	1.051	25/64	0.403	0.378	2-3/4"	1.500	12400	16700	PS000476	4566023	8
5/8"	11	0.6250	0.6250	0.6170	15/16	0.938	0.922	1.083	1.051	25/64	0.403	0.378	3"	1.500	12400	16700	PS000477	4566024	4
5/8"	11	0.6250	0.6250	0.6170	15/16	0.938	0.922	1.083	1.051	25/64	0.403	0.378	3-1/2"	1.500	12400	16700	PS000478	4566025	4
5/8"	11	0.6250	0.6250	0.6170	15/16	0.938	0.922	1.083	1.051	25/64	0.403	0.378	4"	1.500	12400	16700	PS000479	4566026	4
3/4"	10	0.7500	0.7500	0.7410	1-1/8	1.125	1.100	1.299	1.254	15/32	0.483	0.455	1-3/4"	1.750	18400	24700	PS000484	4566030	4
3/4"	10	0.7500	0.7500	0.7410	1-1/8	1.125	1.100	1.299	1.254	15/32	0.483	0.455	2"	2.000	18400	24700	PS000485	4566031	4
3/4"	10	0.7500	0.7500	0.7410	1-1/8	1.125	1.100	1.299	1.254	15/32	0.483	0.455	2-1/4"	2.250	18400	24700	PS000486	4566032	4
3/4"	10	0.7500	0.7500	0.7410	1-1/8	1.125	1.100	1.299	1.254	15/32	0.483	0.455	2-1/2"	2.500	18400	24700	PS000487	4566033	4
3/4"	10	0.7500	0.7500	0.7410	1-1/8	1.125	1.100	1.299	1.254	15/32	0.483	0.455	2-3/4"	1.750	18400	24700	PS000488	4566034	4
3/4"	10	0.7500	0.7500	0.7410	1-1/8	1.125	1.100	1.299	1.254	15/32	0.483	0.455	3"	1.750	18400	24700	PS000489	4566035	4
3/4"	10	0.7500	0.7500	0.7410	1-1/8	1.125	1.100	1.299	1.254	15/32	0.483	0.455	3-1/2"	1.750	18400	24700	PS000490	4566036	2
3/4"	10	0.7500	0.7500	0.7410	1-1/8	1.125	1.100	1.299	1.254	15/32	0.483	0.455	4"	1.750	18400	24700	PS000491	4566037	2
3/4"	10	0.7500	0.7500	0.7410	1-1/8	1.125	1.100	1.299	1.254	15/32	0.483	0.455	4-1/2"	1.750	18400	24700	PS000492	4566038	2
7/8"	9	0.8750	0.8750	0.8660	1-5/16	1.312	1.285	1.516	1.465	35/64	0.563	0.531	2-1/2"	2.500	15200	27700	PS000494	4566039	2
7/8"	9	0.8750	0.8750	0.8660	1-5/16	1.312	1.285	1.516	1.465	35/64	0.563	0.531	3-1/2"	2.000	15200	27700	PS000496	4566040	2
7/8"	9	0.8750	0.8750	0.8660	1-5/16	1.312	1.285	1.516	1.465	35/64	0.563	0.531	4"	2.000	15200	27700	PS000497	4566041	2
7/8"	9	0.8750	0.8750	0.8660	1-5/16	1.312	1.285	1.516	1.465	35/64	0.563	0.531	4-1/2"	2.000	15200	27700	PS000498	4566042	2
1"	8	1.0000	1.0000	0.9900	1-1/2	1.500	1.469	1.732	1.675	39/64	0.627	0.591	3"	3.000	20000	36400	PS000503	4566043	2
1"	8	1.0000	1.0000	0.9900	1-1/2	1.500	1.469	1.732	1.675	39/64	0.627	0.591	3-1/2"	2.250	20000	36400	PS000504	4566044	2
1"	8	1.0000	1.0000	0.9900	1-1/2	1.500	1.469	1.732	1.675	39/64	0.627	0.591	4"	2.250	20000	36400	PS000505	4566045	2
1"	8	1.0000	1.0000	0.9900	1-1/2	1.500	1.469	1.732	1.675	39/64	0.627	0.591	4-1/2"	2.250	20000	36400	PS000506	4566046	2