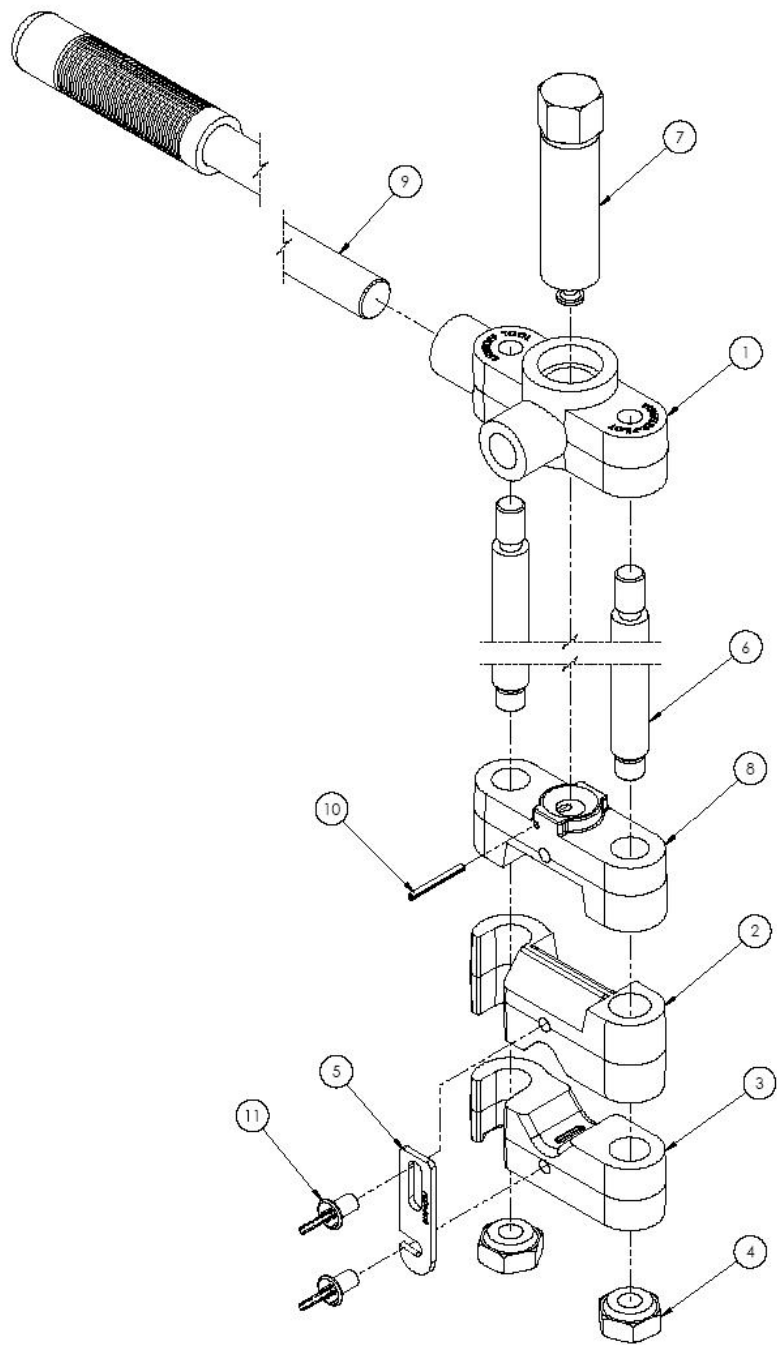


3744 Jefferson Rd., Ashtabula, OH 44005  
DESCRIPTION:  
SHUT-OFF TOOL  
PART NO.



3744 Jefferson Rd., Ashtabula, OH 44005  
DESCRIPTION:  
SHUTOFF TOOL  
PART NO

ITEM NO.	PART NUMBER	DESCRIPTION	QTY
1	221185	HEAD ASSEMBLY	1
2	221188	COMBINATION DIE	1
3	221190	REFORMING DIE	1
4	65142	GUIDE ROD NUT	2
5	6510	LATCH	1
6	65141	GUIDE ROD	2
7	221192	COMPRESSOR SCREW	1
8	221186	COMPRESSOR DIE ASSEMBLY	1
9	652	HANDLE ASBY	1
10	275053	1/8" DIA x 1 1/4" ROLL PIN	1
11	6511	THUMB SCREW	2
12	506032	1" SOCKET **NOT SHOWN**	1
13	6515	MALE 1/2" SQ DR RATCHET **NOT SHOWN**	1