

Installation Instructions

For Juno R Series Trac Connectors, Electrical Feeds and Accessories

Juno R series connectors, electrical feeds and accessories are to be used only with Juno R Series Trac. Some Juno R Series Connectors can also be used as Electrical Feeds as noted. All Juno Trac Components are both mechanically and visually polarized to assure proper connections and to simplify installation.

- Trac face has polarity line indicating positive side
- Trac connectors have embossed arrow which must point towards the Trac polarity line when installed.

Important: Completely read instructions before attempting installation. Electrical Rating: 120V, 60Hz and 20 amp max

R23 Mini-Connector

Joins two Trac sections end-to-end. Use to continue a straight run.

1. Make sure main power is OFF.
2. Insert Mini-Connector fully into Juno Trac with polarity arrow pointing towards Trac polarity line. Secure with set screws.
3. Attach Trac to ceiling (or wall) following instructions supplied with the Juno Trac Section.

R20 Flexible Connector

Joins two Trac sections at any angle between 0 and 90 degrees. Use for inside or outside corners and for changing run direction less than 90°.

1. Make sure main power is OFF.
2. Insert Flexible Connector fully into Juno Trac with polarity arrow pointing toward Trac polarity line. Secure with set screws.
3. Bend Flexible Connector to desired angle.
4. Attach Trac to ceiling (or wall) following instructions supplied with the Juno Trac section.

R24 Adjustable Connector

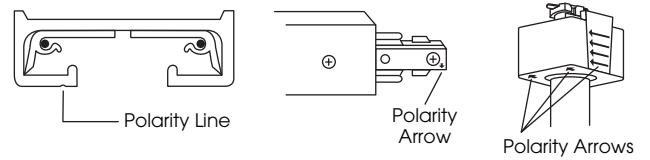
(Can also use as electrical feed from Junction Box)

Joins two Trac sections at 90° or as a straight run. Factory assembled to make a 90° turn. If opposite angle is required, cover must be removed and connector ends rotated to new position, then replace cover. For straight run use, remove L cover, straighten connector and attach straight cover.

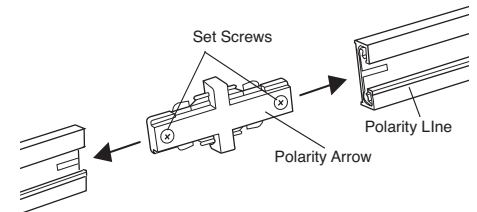
1. Make sure main power is OFF.
2. Insert Adjustable Connector fully into Juno Trac with polarity arrow pointing toward Trac polarity line. Secure with set screws.
3. Attach Trac to ceiling (or wall) following instructions supplied with the Juno Trac section.

For using Adjustable Connector to power track from a Junction Box:

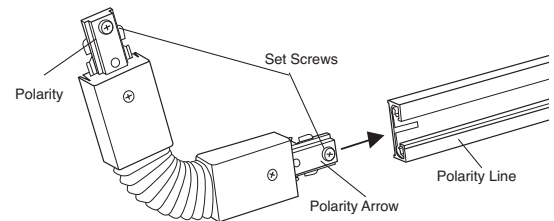
1. Attach Juno Junction Box Cover T27 (not supplied) to Adjustable Connector.
 - a. Punch out screw holes from Junction Box Cover T27.
 - b. Remove Adjustable Connector cover.
 - c. Secure Adjustable Connector flush to Junction Box Cover T27 using nipple and locknuts supplied with Junction Box Cover.
2. Insert feed connector fully into Trac with polarity arrow pointing toward Trac polarity line. Secure with set screw.
3. Attach Trac to ceiling (or wall) following instructions supplied with the Trac section.
4. Pull junction box wires through Junction Box Cover nipple.
5. Secure Junction Box Cover/Adjustable Connector assembly to existing junction box using screws supplied with Junction Box Cover.
6. Fasten positive wire to screw terminal marked "P".
7. Fasten white wire (neutral) to screw terminal marked "N".
8. Replace Adjustable Connector cover and secure with screw.



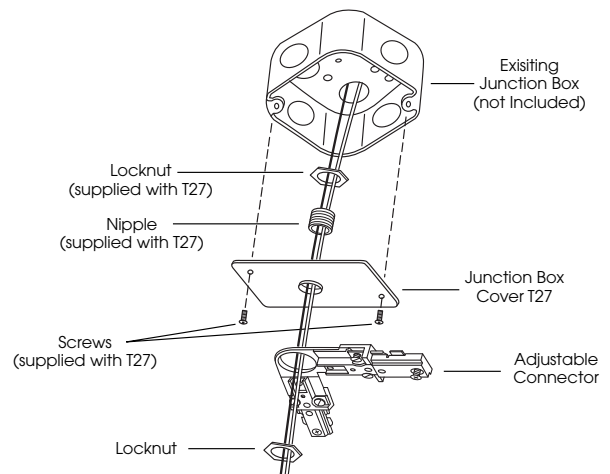
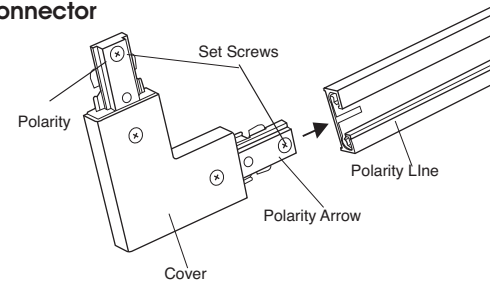
R23 Mini-Connector



R20 Flexible Connector



R24 Adjustable Connector



R25 T-Connector

(can also use as electrical feed from Junction Box)

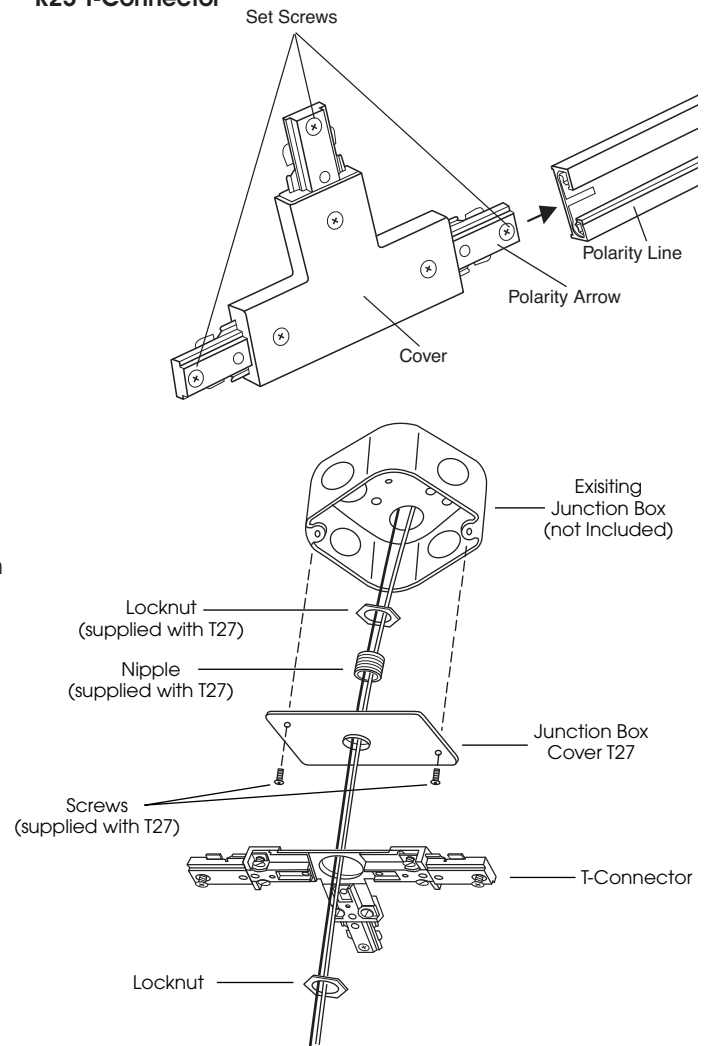
Joins three Trac sections in a T intersection.

1. Make sure main power is OFF.
2. Insert T-Connector fully into Juno Trac with polarity arrow pointing toward Trac polarity line. Secure with set screws.
3. Attach Trac to ceiling following instructions supplied with the Juno Trac section.

For using T Connector to power Trac from a Junction Box:

1. Attach Juno Junction Box Cover T27 (not supplied) to T-Connector.
 - a. Punch out screw holes from Junction Box Cover T27.
 - b. Remove T-Connector cover.
 - c. Secure T-Connector flush to Junction Box Cover T27 using nipple and locknuts supplied with Junction Box Cover.
2. Insert feed connector fully into Trac with polarity arrow pointing toward Trac polarity line. Secure with set screw.
3. Attach Trac to ceiling (or wall) following instructions supplied with the Trac section.
4. Pull junction box wires through Junction Box Cover nipple.
5. Secure Junction Box Cover/T-Connector assembly to existing junction box using screws supplied with Junction Box Cover.
6. Fasten positive wire to screw terminal marked "P".
7. Fasten white wire (neutral) to screw terminal marked "N".
8. Replace T-Connector cover and secure with screw.

R25 T-Connector



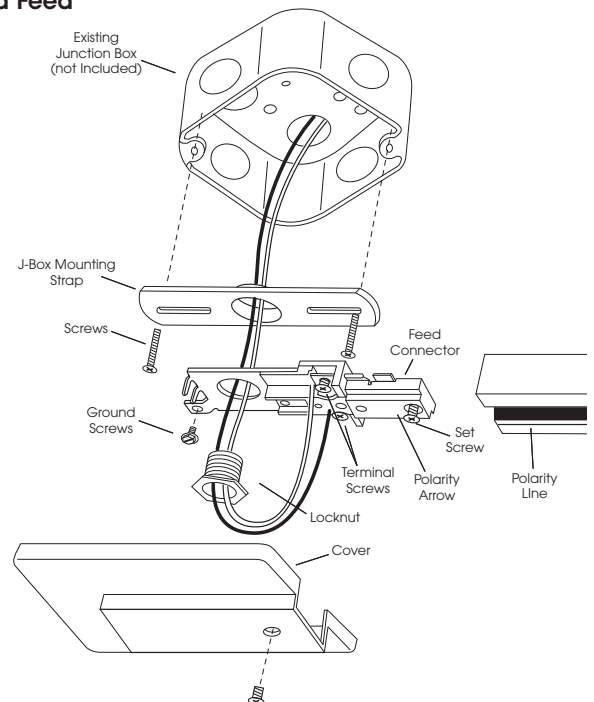
R21 End Feed

(for use only with junction box)

Makes electrical connection at standard Junction Box. Use at end of Trac run.

1. Make sure that power is OFF.
2. Pull wires through mounting strap hole. Attach mounting strap to existing junction box with enclosed screws.
3. Insert feed connector fully into Trac with polarity arrow pointing toward Trac polarity line and secure with set screw.
4. Attach Trac to ceiling (or wall) following instructions supplied with the Trac section.
5. Pull junction box wires through feed connector and nipple.
6. Secure feed connector to mounting strap with lock nut and nipple provided.
7. Fasten positive wire to screw terminal marked "P".
8. Fasten white wire (neutral) to screw terminal marked "N".
9. Connect ground wire to ground screw.
10. Replace cover and secure with screw.

R21 End Feed

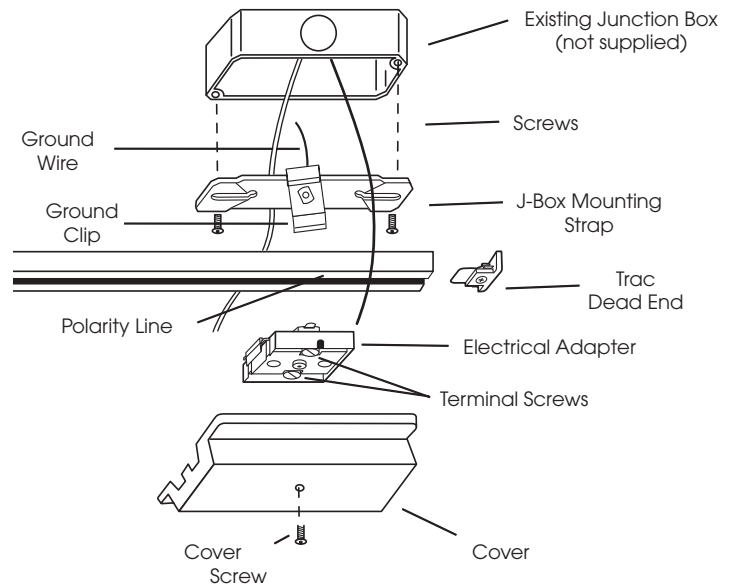


R29 Floating Feed

Makes electrical connection at standard Junction Box. Use at any point of Trac run under Junction Box.

1. Make sure power is OFF.
2. Fasten mounting strap/ground clip assembly to junction box. Connect ground wire.
3. Locate Trac below junction box in desired position, then:
 - a) Rotate ground clip to accept Trac and push Trac into clip.
 - b) Fasten Trac to ceiling following instructions supplied with Trac.
 - c) Trac ends must be terminated with either a dead end (provided) or continue on to another Trac Section by means of a Trac Connector.
4. Insert electrical adapter into Trac – rotate 90° to locked position to make electrical contact.
 - a) Arrow on the electrical adapter must point to the Trac polarity line when correctly installed.
 - b) Center line of electrical adapter must be set on center line of junction box.
5. Pull positive wire from outlet box, and attach to screw terminal marked "P" (positive).
6. Pull white wire (neutral), on opposite side of Trac, and attach to screw terminal marked "N" (neutral).
7. Connect mounting strap ground wire to ground wire from junction box.
6. Push excess wire back into outlet box - wire must hug Trac side.
7. Install cover and secure with enclosed screw.

R29 Floating Feed

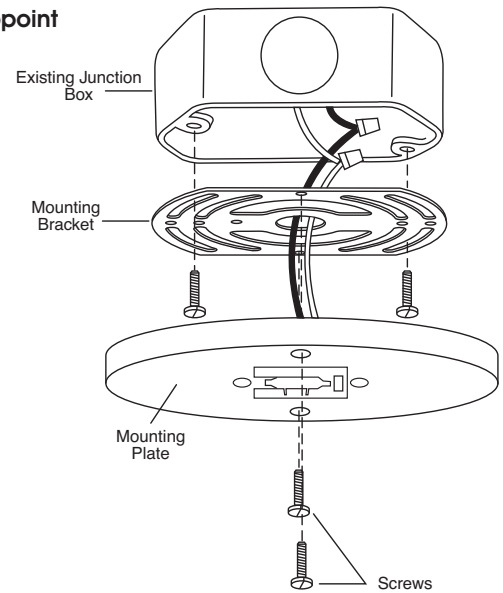


R40 Monopoint

Makes electrical connection at standard junction box. Use to power single Trac Head at junction box without a Trac section.

1. Make sure power is OFF.
2. Fasten mounting bracket to junction box.
3. Pull wires from junction box and connect to Monopoint wires with wire nuts.
4. Push excess wire back into junction box.
5. Install mounting plate with enclosed screws.

R40 Monopoint



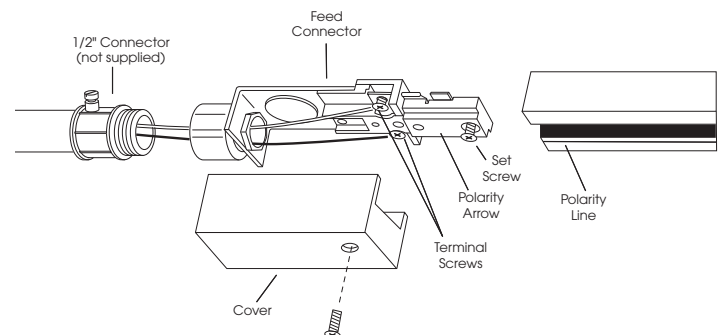
R34 Conduit Connector

(For Electrical Feed Away From Junction Box)

Makes electrical connection from, conduit, BX, Romex or Greenfield. Use at end of Trac Run when wiring.

1. Make sure power is OFF.
2. Remove connector cover.
3. Attach 1/2" connector (not supplied) and secure to conduit, BX, Romex or Greenfield.
4. Insert Conduit Connector fully into Trac section with polarity arrow pointing toward Trac polarity line, secure with set screw.
5. Attach Trac to ceiling (or wall) following instructions supplied with the Trac section.
6. Fasten positive wire to screw terminal marked "P".
7. Fasten neutral white wire to screw terminal marked "N".
8. Replace cover and secure with screw.

R34 Conduit Connector



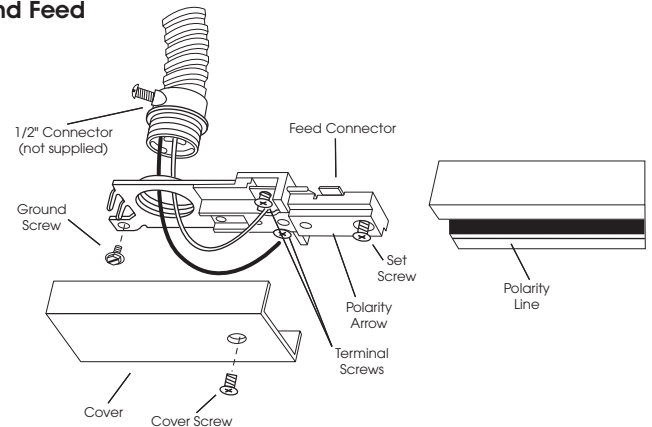
R38 End Feed

(For Electrical Feed Away From Junction Box)

Makes electrical connection from BX, Romex or Greenfield. Use at end of Trac run when wiring from above.

1. Make sure power is OFF.
2. Remove connector cover.
3. Attach 1/2" connector (not supplied) and secure to BX, Romex or Greenfield.
4. Insert End Feed connector fully into Trac section with polarity arrow pointing toward Trac polarity line, secure with set screw.
5. Attach Trac to ceiling following instructions supplied with the Trac section.
6. Fasten positive wire to screw terminal marked "P".
7. Fasten neutral wire to screw terminal marked "N".
8. Replace cover and secure with screw.

R38 End Feed



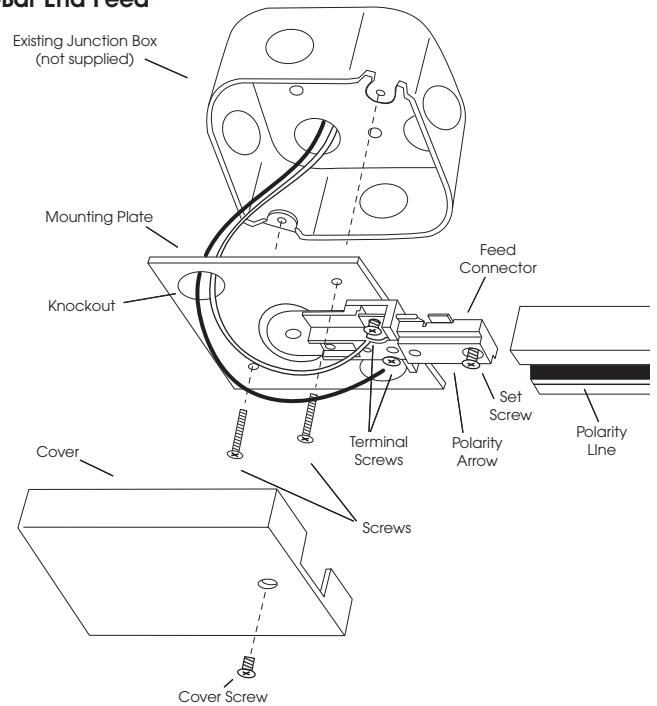
R36 T-BAR End Feed

(for use only with junction box)

Makes electrical connection at standard Junction Box placed above dropped ceiling.

1. Make sure power is OFF.
2. Remove connector cover.
3. Remove knockout as needed.
4. Insert T-Bar End Feed connector fully into Trac section with polarity arrow pointing toward Trac polarity line, secure with set screw.
5. Attach Trac to ceiling following instructions supplied with the Trac section.
6. Pull junction box wires through knockout.
7. Attach mounting plate to junction box.
8. Fasten positive wire to screw terminal marked "P".
9. Fasten neutral wire to screw terminal marked "N".
10. Replace cover and secure with screw.

R36 T-Bar End Feed

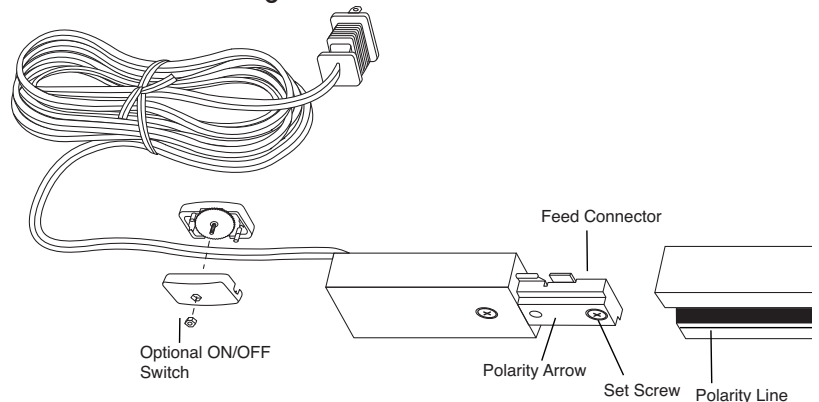


R22 Cord & Plug Set

Makes electrical connection from standard AC wall receptacle.

1. Make sure power is OFF.
2. Insert feed connector fully into Trac section with polarity arrow pointing toward Trac polarity line, secure with set screw.
3. Attach Trac to ceiling following instructions supplied with the Trac section.
4. Install ON/OFF switch following instructions enclosed with switch if desired.
5. Use adhesive tabs to secure cord to ceiling and/or wall surface.
6. Plug into wall receptacle.

R22 Cord & Plug Set



WARRANTY

Juno warrants that its products are free from defects in material and workmanship. Juno's obligation is expressly limited to repair or replacement, without charge, at Juno's factory after prior written return authorization has been granted. This warranty shall not apply to products which have been altered or repaired outside of Juno's factory. This warranty is in lieu of all other warranties, expressed or implied, and without limiting the generality of the foregoing phrase, excludes any implied warranty of merchantability. Also, there are no warranties which extend beyond the description of the product on the company's literature setting forth terms of sale.