

DESCRIPTION

- Metal construction with chrome plated, chrome w/Lifeshine® polished brass, wrought iron, antique nickel, Lifeshine® brushed nickel, or oil rubbed bronze finishes
- 1/2" IPS connections
- Includes hot and cold indicators
- Includes metal pop-up waste assembly

OPERATION

- Lever style handles
- Maximum handle rotation angle is 90° to full on for either handle
- Hot side counterclockwise to open (clockwise to close)
- Cold side clockwise to open (counterclockwise to close)

FLOW

- Aerator is limited to 2.2 gpm (8.3 L/min)

CARTRIDGE

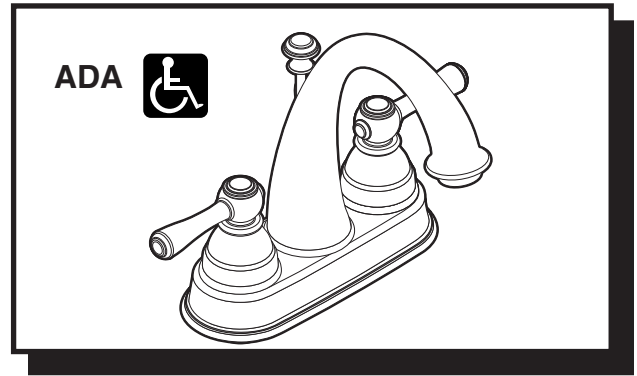
- 1224 Cartridge design
- Nonmetallic and stainless steel material

STANDARDS

- Third party certified by CSA and IAPMO to meet ASME A112.18.1M and all applicable requirements referenced therein and complies with the applicable requirements of ANSI A117.1
- Certified to ANSI/NSF 61/9
- Complies with California Proposition 65 and with the Federal Safe Water Drinking Act

WARRANTY

- Lifetime limited warranty against leaks, drips and finish defects to the original consumer purchaser
- 5 year warranty if used in commercial installations

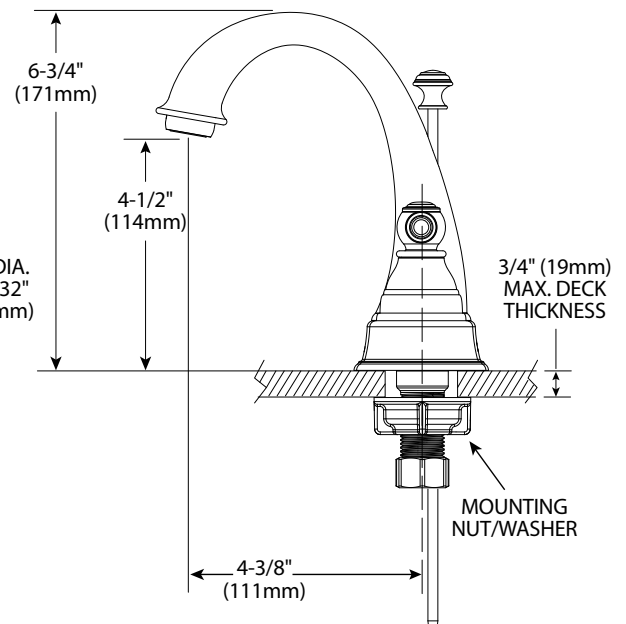
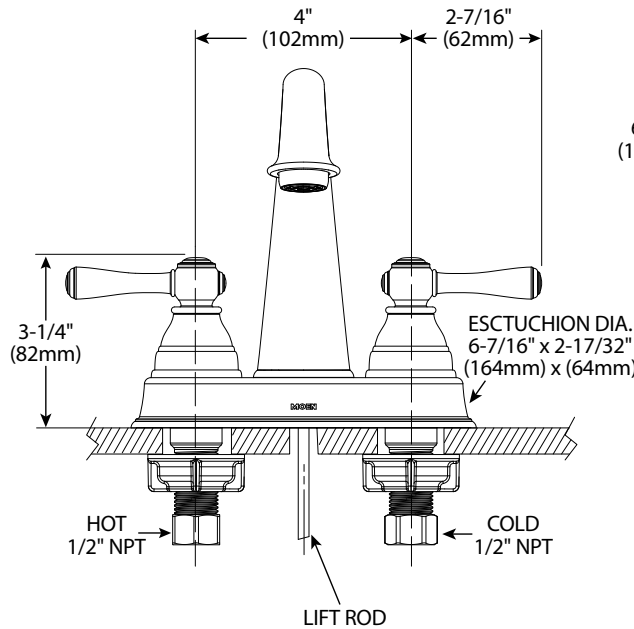


KINGSLEY™

Two Handle Lavatory Faucet

Models: 6121, 6121AN, 6121BN, 6121CP, 6121ORB, 6121WR

NOTE: THIS FAUCET IS DESIGNED TO BE INSTALLED THRU 3 HOLES, 1" (25mm) MIN. DIA.



CRITICAL DIMENSIONS

(DO NOT SCALE)