

Fig. B3380 thru B3387
360° Calcium Silicate Shield
Pre-Insulated Support

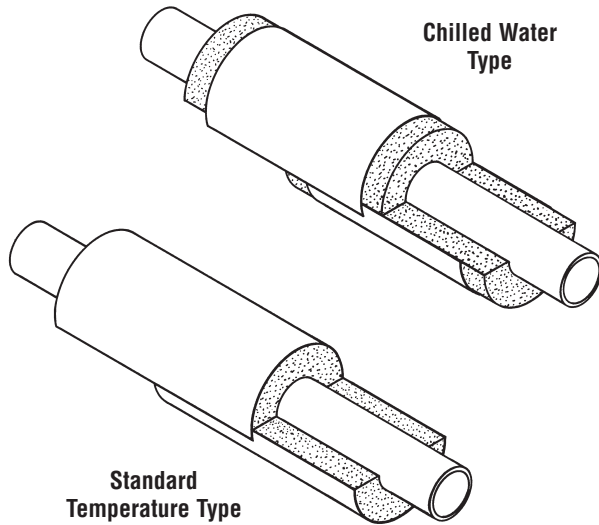
Size Range: Up to 24" (600mm)

Material: Asbestos-free, Hydrous Calcium Silicate Insulation with Pre-Galvanized steel jacket

Function: Designed to provide a crush resistant insulation insert at pipe support points. Can be used with hangers or straps.

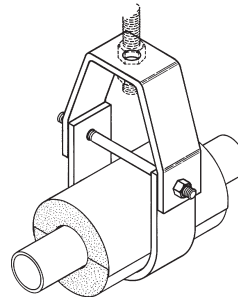
Miscellaneous Information: Flame retardant, water and rot resistant, temperature range from ambient to 1200°F (649°C). Easily installed in a pipe hanger or mounted to strut.

Order By: Figure number.
 (See part number legend below.)
 For additional information, contact factory.

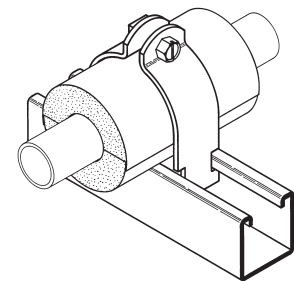


Supports, Guides, Shields & Saddles

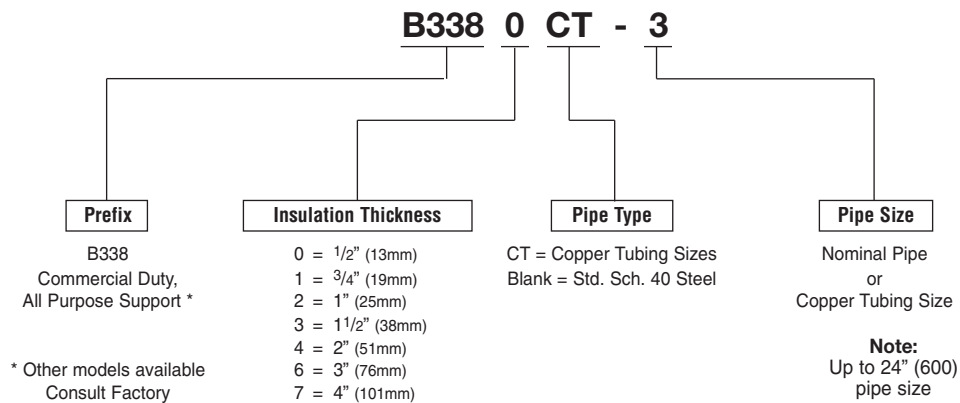
Applications



Pipe Hanger



Strut Mounted



All dimensions in charts and on drawings are in inches. Dimensions shown in parentheses are in millimeters unless otherwise specified.