

Preston Technical Specification

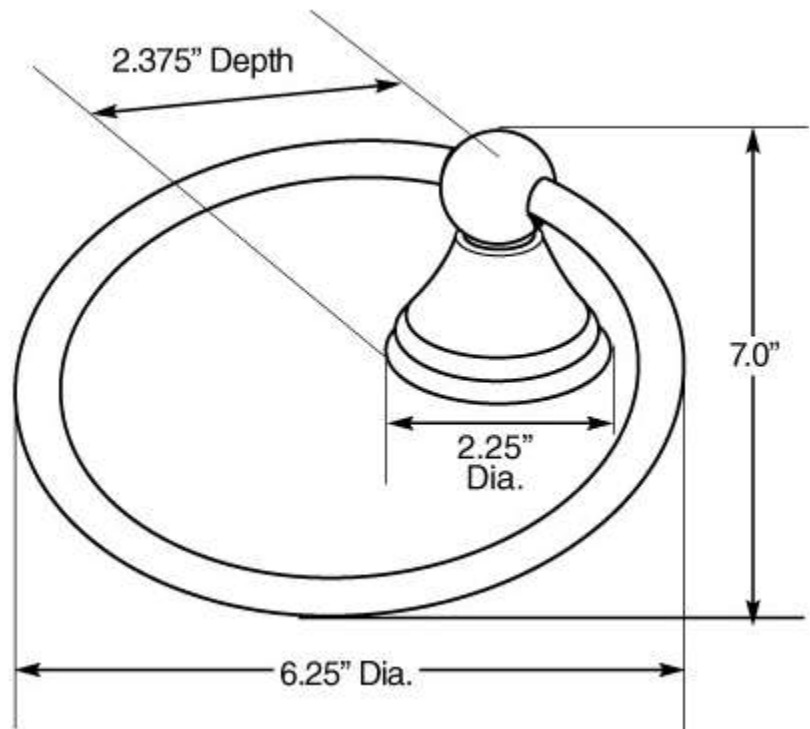
Towel Ring

DN8486

Stock Numbers:

- ❑ **DN8486PB – Towel Ring**
Polished Brass Finish
Concealed Screw Mounting
- ❑ **DN8486CH – Towel Ring**
Polished Chrome Finish
Concealed Screw Mounting
- ❑ **DN8486MPW – Towel Ring**
Matte Pewter Finish
Concealed Screw Mounting
- ❑ **DN8486BN – Towel Ring**
Brushed Nickel Finish
Concealed Screw Mounting

Dimensions:



Materials:

Towel Ring post is die cast from highest quality zinc alloy (zamac). Castings are triple plated with a polished brass, polished chrome, or matte pewter finish.

Installation Instructions:

1. Position the mounting plate on the wall at desired location with "UP" facing you.
2. One at a time, place each anchor screw through the mounting plate, centered in each large hole. Using a Phillips screwdriver, turn the anchor screw while applying pressure. Screw will self drill and tap into drywall. Do not over tighten.
3. Place assembly over the mounting post, setscrew facing down.
4. Tighten setscrew.

Cleaning Instructions:

To preserve the fine finish of this product, clean only with a soft damp cloth. Dry well. Do not use commercial or abrasive cleaners.

Stock Number: _____ **Towel Ring**
By Creative Specialties International



25300 AL MOEN DRIVE • NORTH OLMSTED, OH 44070 (800) 321-8809 •
FAX: (800) 848-6636 • INTERNATIONAL: (440) 962-2000 •
FAX: (440) 962-2726 CUSTOMER SERVICE (USA): 800-882-0116
WWW.MOEN.COM
©Copyright Creative Specialties International Literature #BA1050