

P2S920SEF

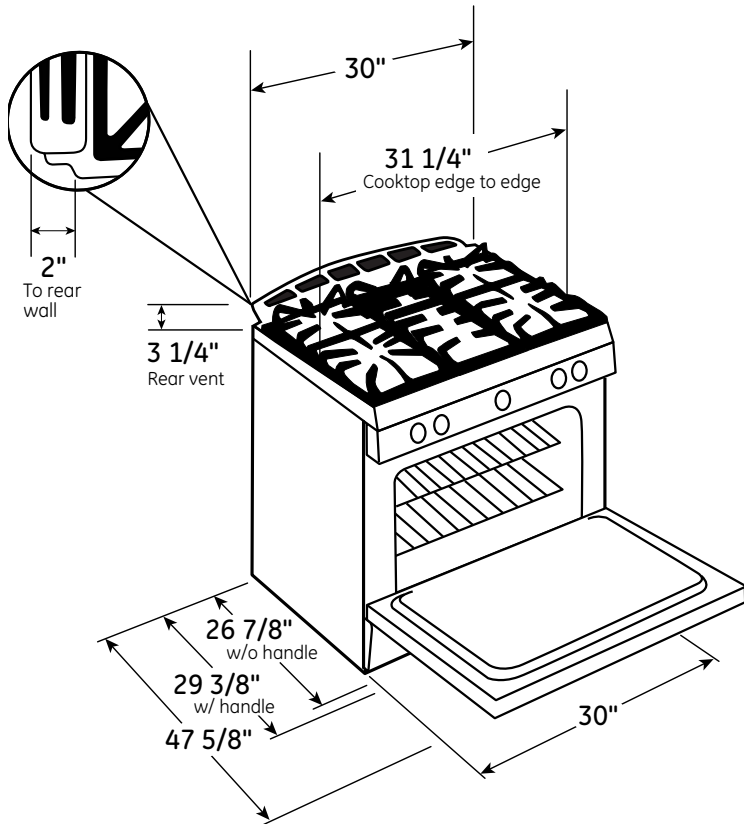
# GE Profile™ Series 30" Dual Fuel Slide-In Range with Warming Drawer

## Dimensions and Installation Information (in inches)

**Note:** Door handle protrudes 3" from door face. Cabinets and drawers on adjacent 45° and 90° walls should be placed to avoid interference with the handle.

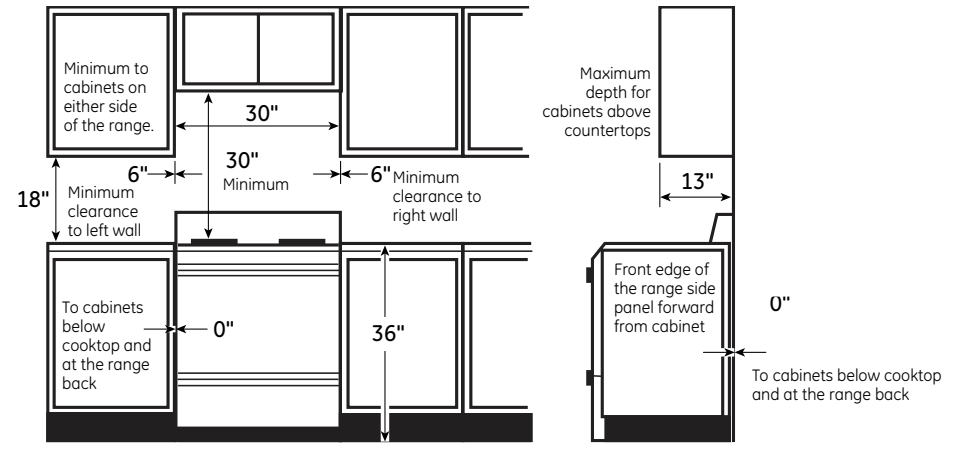
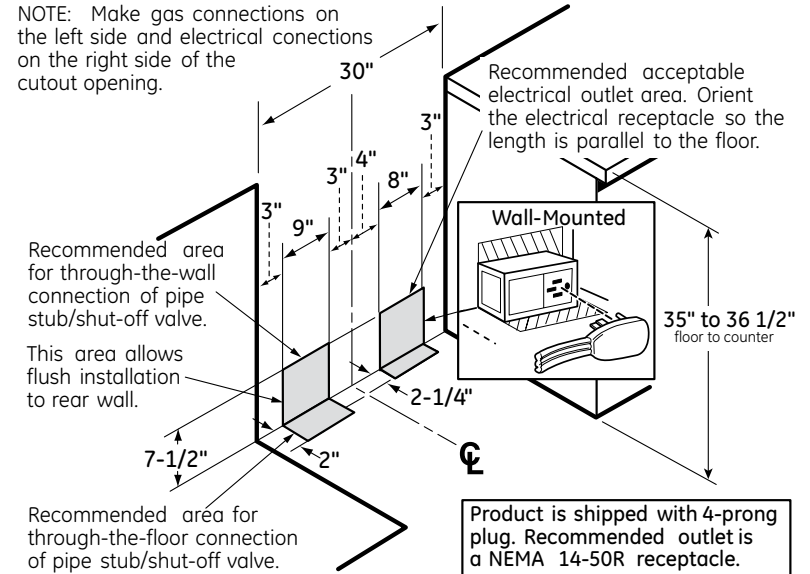
**Note:** Cabinets installed adjacent to slide-in ranges must have an adhesion spec of at least 194° temperature rating.

**Installation Information:** Before installing, consult installation instructions packed with product for current dimensional data.



## GAS PIPE AND ELECTRICAL OUTLET LOCATIONS

NOTE: Make gas connections on the left side and electrical connections on the right side of the cutout opening.



imagination at work

For answers to your Monogram® or GE® appliance questions, visit our website at [geappliances.com](http://geappliances.com) or call GE Answer Center® service, 800.626.2000.



All GE ranges are equipped with an Anti-Tip device. The installation of this device is an important, required step in the installation of the range.



Listed by Underwriters Laboratories

Specification Revised 9/14

# P2S920SEF

## GE Profile™ Series 30" Dual Fuel Slide-In Range with Warming Drawer

### Features and Benefits

- Dual-fuel range - Utilizes both gas and electric elements
- 20,000 BTU tri-ring burner - Offers the flexibility of three different burners
- Center oval burner - Large oval fifth burner is ideal for griddle or odd-size cookware
- Reversible cast-iron griddle/grill - Two great ways to cook
- True European Convection with Precise Air - Accurate heat circulation ensures evenly baked foods
- Stainless steel, deep-recessed cooktop - Contains spills for quick and easy cleaning
- Heavy-duty self-clean roller rack - Easily access items with racks that glide smoothly
- Warming drawer - Variable temperature control keeps foods warm
- Hidden bake - Make cleanup easy by eliminating hard-to-reach areas
- Model P2S920SEFSS - Stainless steel



imagination at work

Specification Revised 9/14