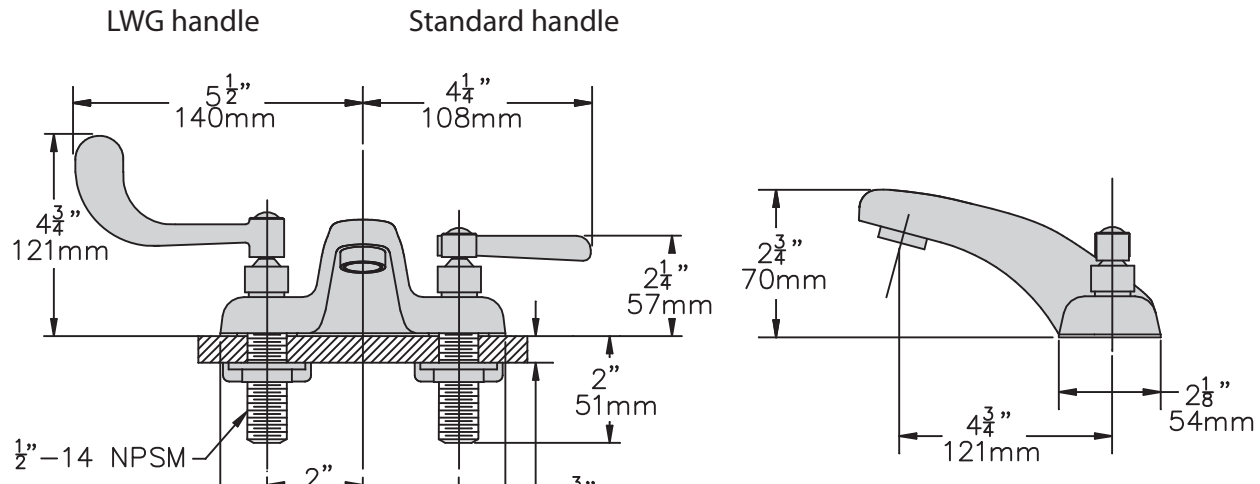
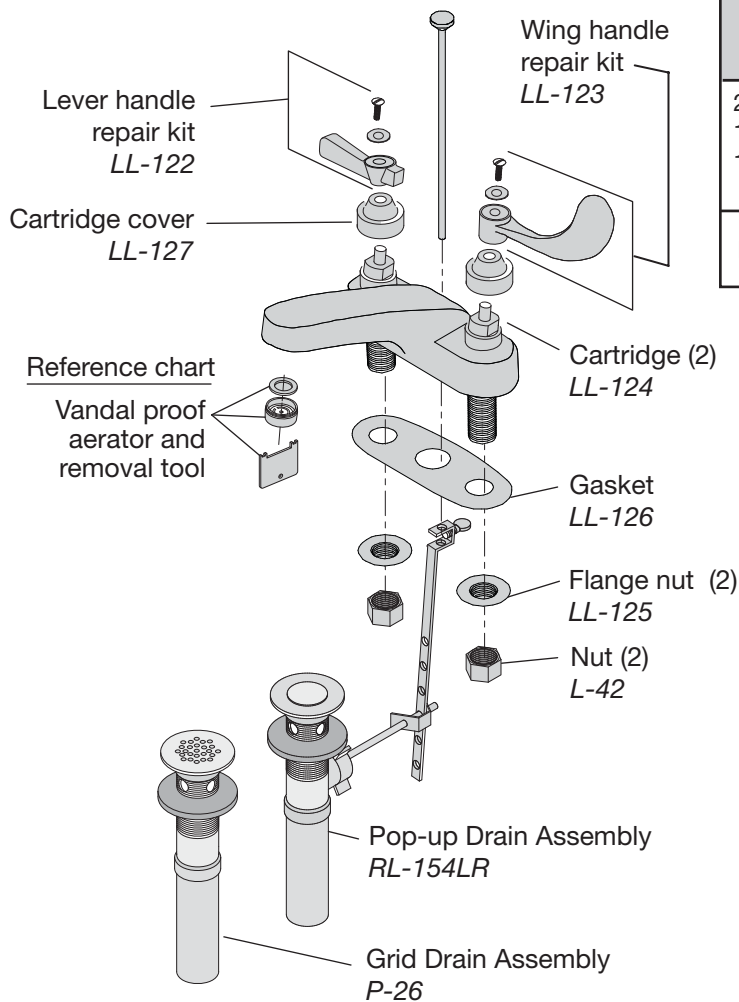



Dimensions *Symmetrix Lavatory Faucet, S-250 Series*



Parts Assembly *Symmetrix Centerset Lavatory Faucet, S-250 Series*



Aerator (flow regulator)	Part Number	
	Standard Aerator	Vandal Resistant with removal tool
2.2 gpm (8.3L/min)	LN-15*	LN-101*
1.5 gpm (5.7L/min)	FLR-110-1.5*	----
1.0 gpm (3.8L/min)	FLR-110-1.0*	----
.5 gpm (1.9L/min)	----	LN-100*
Removal tool part number, LL-60K		

* Note: When ordering replacements parts for faucets with an optional decorative finish, append appropriate three letter finish suffix code to part numbers marked with an asterisk (*).