

Introduction

This Wet/Dry Vac is intended for household use. It may be used for vacuuming wet or dry media and may be used as a blower.

Read this owner's manual to familiarize yourself with the product features and to understand the specific usage of your new Vac.

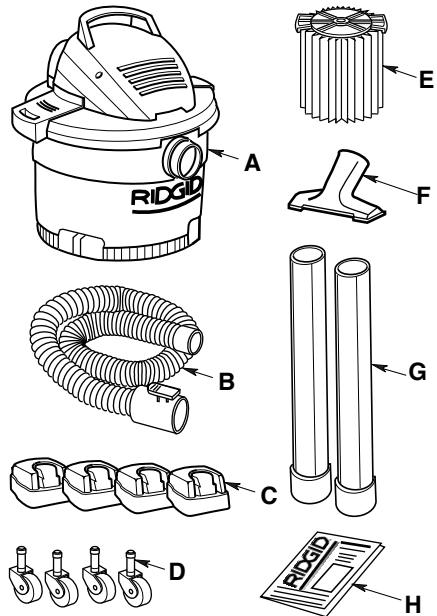
Unpacking and Checking Carton Contents

Remove contents of carton. Check each item against the Carton Contents List. Call 1-800-4-RIDGID (1-800-474-3443) from the US and Canada, 01-800-701-9811 from Mexico, or E-mail us at info@ridgid.com if any parts are damaged or missing.

Carton Contents List

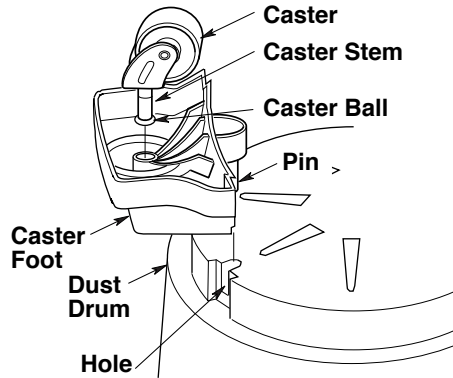
Key	Description	Qty
A	Wet/Dry Vac	1
B	Pro-Hose	1
C	Caster Foot w/Storage	4
D	Caster Feet	4
E*	Qwik Lock™ Filter	1
F	Utility Nozzle	1
G	Extension Wands	2
H	Owner's Manual	1

* The filter comes preassembled to the power head.



Caster/Caster Foot Assembly

1. Turn the dust drum upside down on the floor.
2. Insert the caster feet into the bottom of drum, as shown (4 places).
3. Push on the caster foot until the foot is flush with bottom of the dust drum.
4. Insert the caster stem into the socket of the caster foot, as shown (4 places).
5. Push on the caster until the ball on the caster stem is inserted all the way into the socket. You will hear the ball snap into the socket and the caster will swivel easily when positioning is correct.
6. Turn the drum upright.

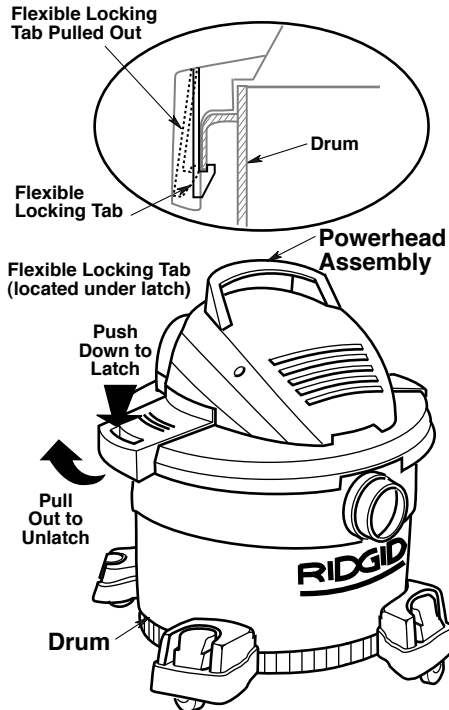


Wet/Dry Vac Assembly

1. Line up front of powerhead assembly with Vacuum port located on the front of the drum, as shown.

NOTE: Powerhead assembly must be aligned with drum for proper attachment.

2. Place powerhead assembly on top of drum.
3. Be sure powerhead assembly completely covers the top of the drum so leakage does not occur.
4. Push down on top of handles to cause flexible locking tabs to hook onto the drum lip.
5. Make sure that the locking tabs are snapped into place as shown, to prevent the lid from coming off.
6. To remove the powerhead assembly, reverse above directions.

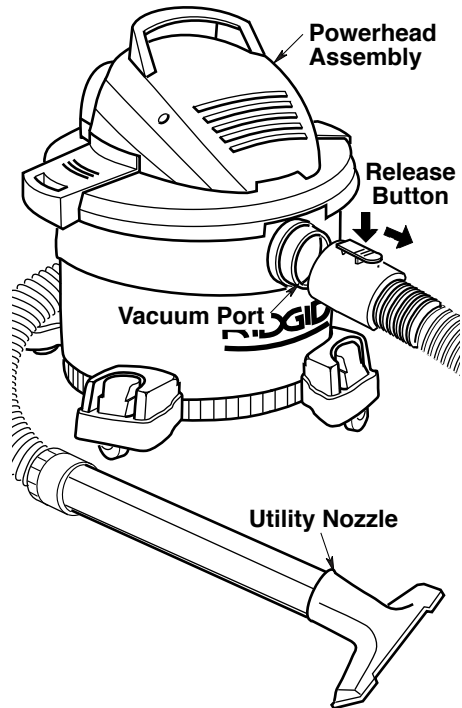


Wet/Dry Vac Assembly (Continued)

Insert Hose

Insert the larger end of the hose into the vacuum port.

Place the utility nozzle securely on the opposite end of the hose and the Vac is ready for use.



To Store Your Accessories

1. Slide extension wands and accessories onto posts of the caster feet for storage.
2. To remove wands and accessories, lightly rotate and pull upward.

