

WTT3 WET END PARTS

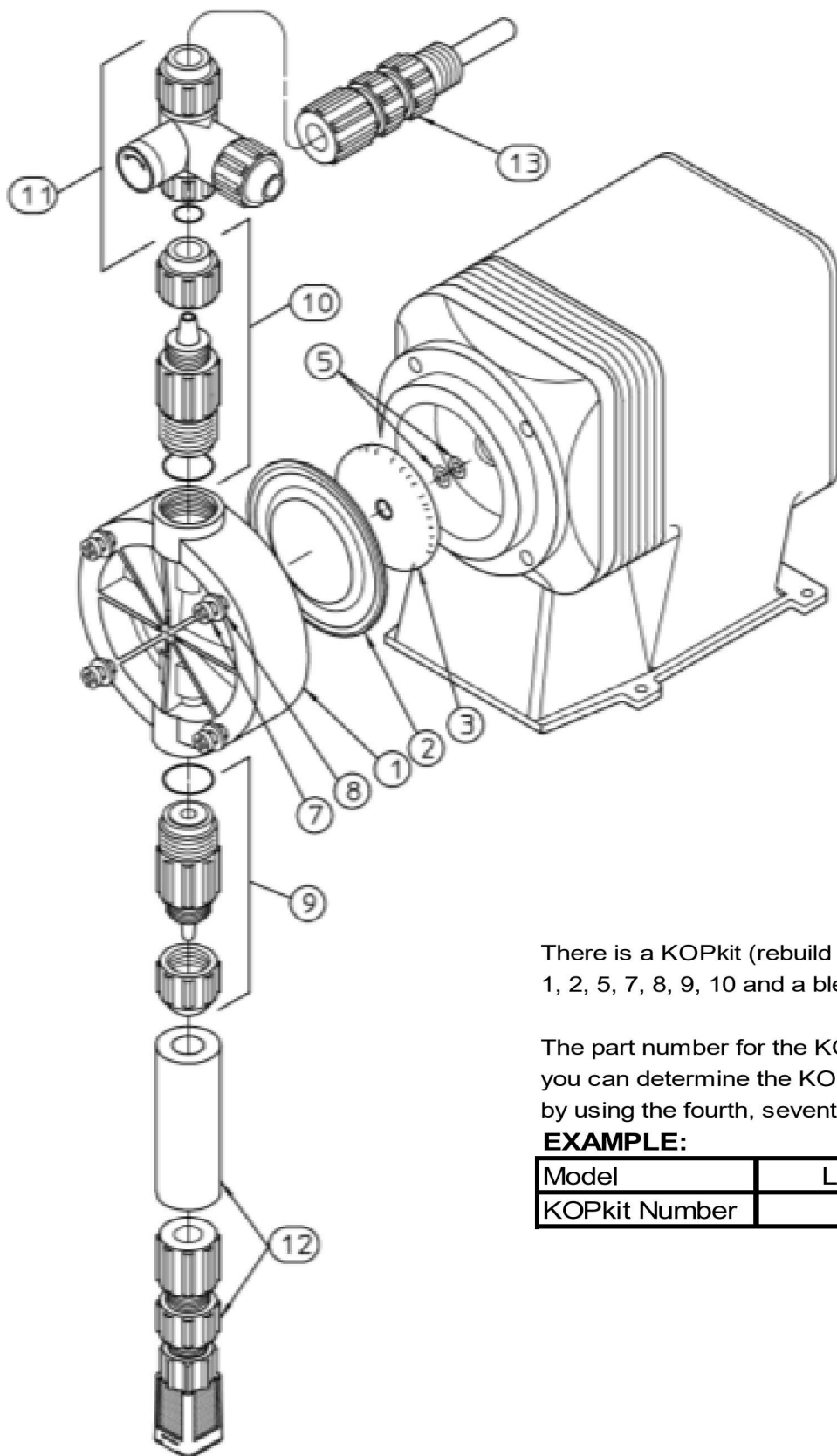
The following part numbers are the pump models with liquid end code WTT3 in the model
EXAMPLE: LPH7SA-WTT3-XXX

Use the fourth digit in the model number from your pump to identify the part numbers below

EXAMPLE MODEL:

Position	1	2	3	4	5	6	-	7	8	9	10	-	11	12	13
Model:	L	P	H	7	S	A	-	W	T	T	3	-	X	X	X

For example the pump head (ITEM #1) for this pump would be:
Part Number: L0200700-HPV



PART NUMBER	QTY	DIGIT IN POSITION NUMBER FOUR OF THE MODEL NUMBER
ITEM NO. 1: PUMP HEAD (PVC)		
L0200700-HPV	1	7
ITEM NO. 2: DIAPHRAGM		
L0301400-THY	1	7
ITEM NO. 3: DEFLECTION PLATE		
L2100700-FPP	1	7
ITEM NO. 5: SHIM (0-2 REQUIRED)		
L9901200-BRS	0-2	7
ITEM NO. 7 & 8: PUMP HEAD SCREWS AND WASHERS KIT (CONTAINS BOLTS AND WASHERS)		
L3900300-000	1	7
ITEM NO. 9: SUCTION VALVE		
L3101TT3-PVC	1	7
ITEM NO. 10: DISCHARGE VALVE		
L3201TT3-PVC	1	7
ITEM NO. 11: BLEED VALVE		
L3300T03-PVC	1	7
ITEM NO. 12: FOOT VALVE/STRAINER		
J60731	1	7
ITEM NO. 13: INJECTION VALVE		
J41877	1	7
REPLACEMENT FUSES		
L9707300-000	1	E+ SERIES AND E SERIES PUMPS WITH FUSE HOLDER
L9711200-000	1	A+, C, C+ AND E SERIES PUMPS WITH PC BOARD MOUNTED FUSE
L9704700-000	1	SERIES E-DC PUMPS
L9700700-250	1	SERIES MP PUMP-CIRCUIT

There is a KOPkit (rebuild kit) available for your pump that includes items 1, 2, 5, 7, 8, 9, 10 and a bleed valve o-ring

The part number for the KOPkit can be found on your pump data label or you can determine the KOPkit part number from your pump model number by using the fourth, seventh, eighth, ninth and tenth positions for the model string

EXAMPLE:

Model	L	P	H	7	S	A	-	W	T	T	3	-	X	X	X
KOPkit Number				7				W	T	T	3				

= K7WTT3