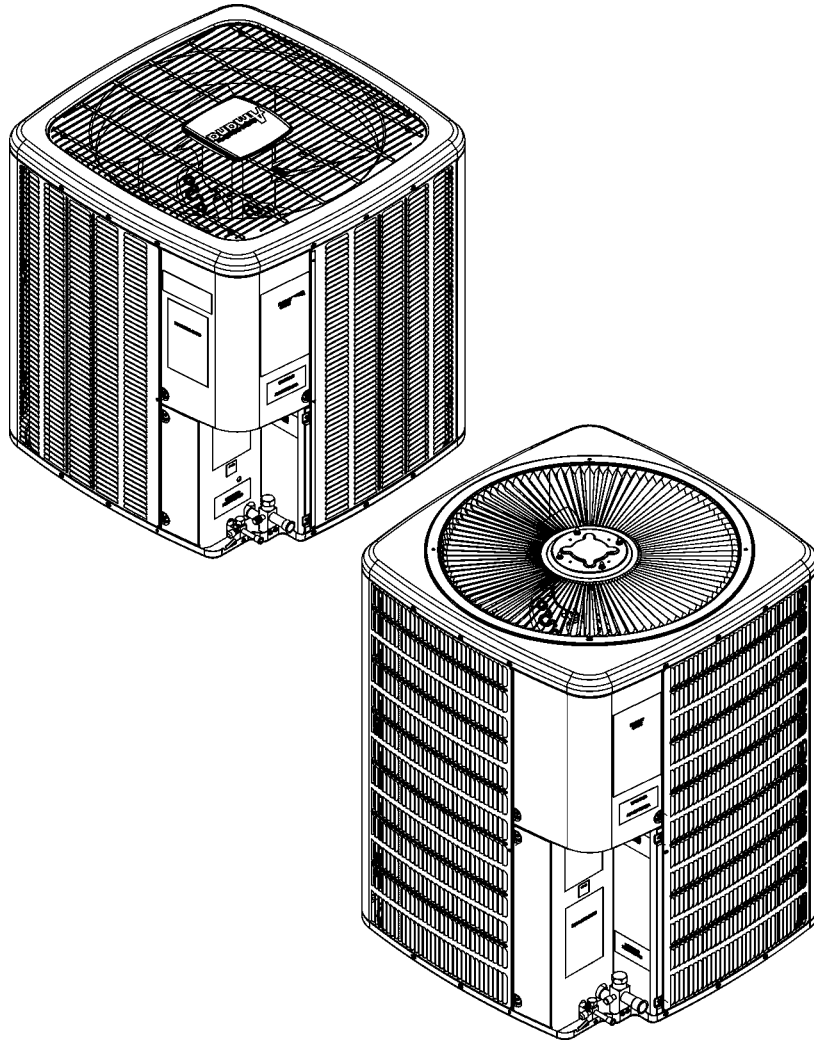


REPAIR PARTS

*SX14 R-410A Remote
Condensing Unit

ASX140181BA
ASX140181CA
ASX140241BA
ASX140241CA
ASX140301BA
ASX140301CA
ASX140361BA
ASX140361CA
ASX140421CA
ASX140421DA
ASX140481BA
ASX140481CA
ASX140601BA
SSX140181BA
SSX140241BA
SSX140301BA
SSX140361BA
SSX140421CA
SSX140481BA



This manual is to be used by qualified technicians only.

This manual replaces RP-536D

© 2009-2010 Goodman Manufacturing Company, L.P. ♦ 5151 San Felipe, Suite 500 ♦ Houston, TX 77056

Important Information

Index

Functional Parts List	3
Illustration and Parts	4 - 11

Views shown are for parts illustrations only, not servicing procedures.

Revision E: Added model SSX140481BA.

Text Codes:

AR - As Required

NA - Not Available

NS - Not Shown

00000000 - See Note

QTY - Quantity Example (QTY 3) (If Quantity not shown, Quantity = 1)

M - Model Example (M1) (If M Code not shown, then part is used on all Models)

Expanded Model Nomenclature:

Example
M1 - Model#1
M2 - Model#2
M3 - Model#3

Goodman Manufacturing Company, L.P. is not responsible for personal injury or property damage resulting from improper service. Review all service information before beginning repairs.

Warranty service must be performed by an authorized technician, using authorized factory parts. If service is required after the warranty expires, Goodman Manufacturing Company, L.P. also recommends contacting an authorized technician and using authorized factory parts.

Goodman Manufacturing Company, L.P. reserves the right to discontinue, or change at any time, specifications or designs without notice or without incurring obligations.

For assistance within the U.S.A. contact:
Consumer Affairs Department
Goodman Manufacturing Company, L.P.
7401 Security Way
Houston, Texas 77040
877-254-4729-Telephone
713-863-2382-Facsimile

For assistance outside the U.S.A. contact:
International Division
Goodman Manufacturing Company, L.P.
7401 Security Way
Houston, Texas 77040
713-861-2500-Telephone
713-863-2382-Facsimile

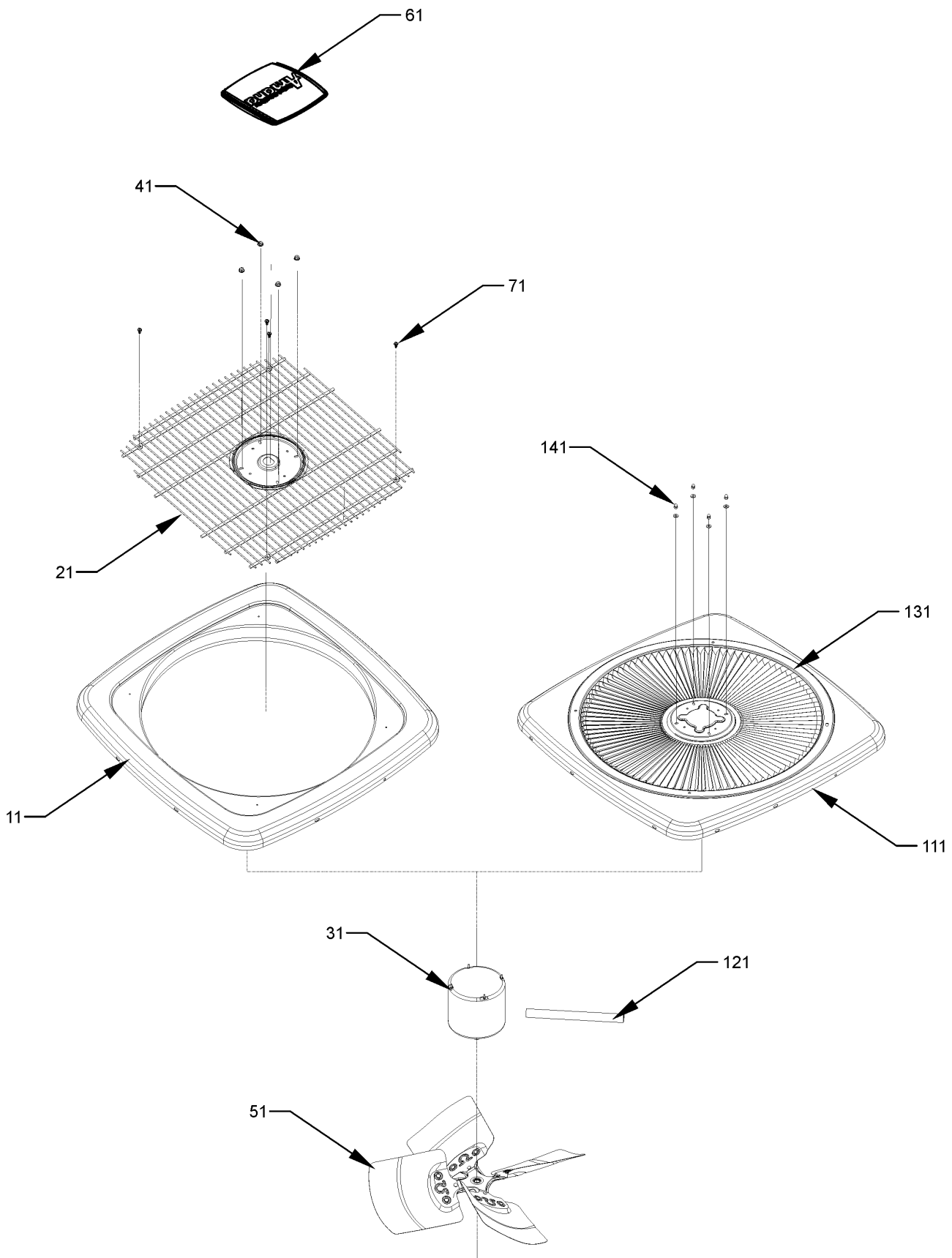
Functional Parts

Part

No: Description:

Part No:	Description:	Part No:	Description:
0151R00002P	3/4" SERVICE VALVE OPEN LEFT (M1, M2, M3, M4, M5, M6, M7, M8, M14, M15, M16, M17)	0130M00011P	LOW AMBIENT THERMOSTAT, SPDT (M1, M2, M3, M4, M5, M6, M7, M8, M9, M10, M11, M12, M13)
B12825171	3/8" SERVICE VALVE	0130M00082	LOW PRESSURE SWITCH (M12, M19)
0151R00003P	7/8" SERVICE VALVE OPEN LEFT (M9, M10, M11, M12, M13, M18, M19)	0130R00001	LOW PRESSURE SWITCH (M1, M2, M3, M4, M5, M6, M7, M8, M9, M10, M11, M13, M14, M15, M16, M17, M18)
CAP050300440RSS	CAPACITOR 5/30/370V (M1, M2, M14)	SPECIAL PARTS	
CAP050350440RSS	CAPACITOR 5/35/440V (M3, M4, M15)	0161R00008P	AMANA LOGO CAP (M1, M2, M3, M4, M5, M6, M7, M8, M9, M10, M11, M12, M13)
CAP050400440RT	CAPACITOR 5/40/440V (M5, M6, M16)	0161R00010P	AMANA NAMEPLATE (M1, M2, M3, M4, M5, M6, M7, M8, M9, M10, M11, M12, M13)
CAP050450440RT	CAPACITOR 5/45/440V (M7, M8, M9, M10, M11, M12, M17, M18, M19)	IO-258J	INSTRUCTION, INST
CAP050700440RTS	CAPACITOR 5/70/440V (M13)	0161R00009P	NAMEPLATE (M14, M15, M16, M17, M18, M19)
543001001	COMFORT ALERT MODULE (M2, M4, M6, M8, M10, M11, M12, M13)	Expanded Model Nomenclature	
543001000S	COMFORT ALERT MODULE (M1, M3, M5, M7, M9)	M1 - ASX140181BA	
ZP20K5EPFV130	COMPRESSOR 20000, 208/230/60/1 (M3, M4, M15)	M2 - ASX140181CA	
ZP24K5EPFV130	COMPRESSOR 24000, 208/230/60/1 (M5, M6, M16)	M3 - ASX140241BA	
ZP29K5EPFV130	COMPRESSOR 29000, 208/230/60/1 (M7, M8, M17)	M4 - ASX140241CA	
ZP31K5EPFV830	COMPRESSOR 31100, 208/230/60/1 (M9, M10, M18)	M5 - ASX140301BA	
ZP38K5EPFV130	COMPRESSOR 37500, 208/230/60/1 (M11, M12, M19)	M6 - ASX140301CA	
ZP51K5EPFV830	COMPRESSOR 51000, 208/230/60/1 (M13)	M7 - ASX140361BA	
ZP16K5EPFV130	COMPRESSOR 15500, 208/230/60/1 (M1, M2, M14)	M8 - ASX140361CA	
0131M00019P	COND MOTOR 1/12 HP, 1 SP, 8 PL (M15)	M9 - ASX140421CA	
0131M00027	COND MOTOR 1/12 HP, 2 SP, 8 PL (M3, M4)	M10 - ASX140421DA	
0131M00061S	COND MOTOR 1/4 HP, 1 SP, 8 PL (M19)	M11 - ASX140481BA	
0131M00015PS	COND MOTOR 1/4 HP, 2 SP, 8 PL (M11, M12, M13)	M12 - ASX140481CA	
0131M00060S	COND MOTOR 1/6 HP, 1 SP, 8 PL (M14, M16, M17, M18)	M13 - ASX140601BA	
0131M00017PS	COND MOTOR 1/6 HP, 2 SP, 8 PL (M1, M2, M5, M6, M7, M8, M9, M10)	M14 - SSX140181BA	
CONT1P025024VS	CONTACTOR 25 AMP, 1P, 24V (M1, M2, M3, M4, M5, M6, M7, M8, M9, M10, M14, M15, M16, M17, M18)	M15 - SSX140241BA	
CONT1P030024VS	CONTACTOR 30 AMP, 1P, 24V (M11, M12, M13, M19)	M16 - SSX140301BA	
0150M00001P	FAN BLADE 20 INCH (M3, M4, M15)	M17 - SSX140361BA	
0150M00012S	FAN BLADE 20" CCW (M1, M2, M14)	M18 - SSX140421CA	
0150M00008S	FAN BLADE 22" TNT2203-25 (M7, M8, M9, M10, M17)	M19 - SSX140481BA	
10625738S	FAN BLADE 26" ALUM CCW (M11, M12, M13, M19)		
B1086764S	FAN BLADE TYPE 2 (M5, M6, M16, M18)		
20322603	HIGH PRESSURE SWITCH		

Top Panel Assembly



Top Panel Assembly

Ref. Part No:	No:	Description:	Ref. Part No:	No:	Description:
<i>Image 1:</i>			Expanded Model Nomenclature		
11	0121R00009PDG	VENTURI TOP PANEL 26" (M1, M2, M3, M4)	M1 -	ASX140181BA	
11	0121R00011PDG	VENTURI TOP PANEL 29" (M5, M6, M7, M8, M9, M10)	M2 -	ASX140181CA	
11	0121R00013PDG	VENTURI TOP PANEL 35" (M11, M12, M13)	M3 -	ASX140241BA	
21	0152R00000P	WIRE GRILL 26" (M1, M2, M3, M4)	M4 -	ASX140241CA	
21	0152R00008	WIRE GRILL 29" (M5, M6, M7, M8, M9, M10)	M5 -	ASX140301BA	
21	0152R00009	WIRE GRILL 35" (M11, M12, M13)	M6 -	ASX140301CA	
31	0131M00019P	COND MOTOR 1/12 HP, 1 SP, 8 PL (M15)	M7 -	ASX140361BA	
31	0131M00027	COND MOTOR 1/12 HP, 2 SP, 8 PL (M3, M4)	M8 -	ASX140361CA	
31	0131M00061S	COND MOTOR 1/4 HP, 1 SP, 8 PL (M19)	M9 -	ASX140421CA	
31	0131M00015PS	COND MOTOR 1/4 HP, 2 SP, 8 PL (M11, M12, M13)	M10 -	ASX140421DA	
31	0131M00060S	COND MOTOR 1/6 HP, 1 SP, 8 PL (M14, M16, M17, M18)	M11 -	ASX140481BA	
31	0131M00017PS	COND MOTOR 1/6 HP, 2 SP, 8 PL (M1, M2, M5, M6, M7, M8, M9, M10)	M12 -	ASX140481CA	
41	M0280801	HEX NUT (M1, M2, M3, M4, M5, M6, M7, M8, M9, M10, M11, M12, M13)	M13 -	ASX140601BA	
51	0150M00001P	FAN BLADE 20 INCH (M3, M4, M15)	M14 -	SSX140181BA	
51	0150M00012S	FAN BLADE 20" CCW (M1, M2, M14)	M15 -	SSX140241BA	
51	0150M00008S	FAN BLADE 22" TNT2203-25 (M7, M8, M9, M10, M17)	M16 -	SSX140301BA	
51	10625738S	FAN BLADE 26" ALUM CCW (M11, M12, M13, M19)	M17 -	SSX140361BA	
51	B1086764S	FAN BLADE TYPE 2 (M5, M6, M16, M18)	M18 -	SSX140421CA	
61	0161R00008P	AMANA LOGO CAP (M1, M2, M3, M4, M5, M6, M7, M8, M9, M10, M11, M12, M13)	M19 -	SSX140481BA	
71	0163M00003P	SCREW #10 X 1/2, A, SLOT, SR, BLACK (M1, M2, M3, M4, M5, M6, M7, M8, M9, M10, M11, M12, M13)			
111	0121R00008PDG	TOP PANEL 26" (M14, M15)			
111	0121R00010PDG	TOP PANEL 29" (M16, M17, M18)			
111	0121R00012PDG	TOP PANEL 35" (M19)			
121	0161R00000P	CONDUIT (M1, M2, M3, M4)			
121	0161R00001P	CONDUIT (M14, M15)			
121	0161R00002P	CONDUIT (M5, M6, M7, M8, M9, M10, M17)			
121	0161R00003P	CONDUIT (M16, M18)			
121	0161R00004P	CONDUIT (M11, M12, M13, M19)			
131	0161L00000	VENTURI RING 22" (M17)			
131	0161R00007P	VENTURI RING 35" (M19)			
141	0163M00006P	ACORN NUT 5/16 HEX BLACK (M14, M15, M16, M17, M18, M19)			

Louvered Panels

Image 1

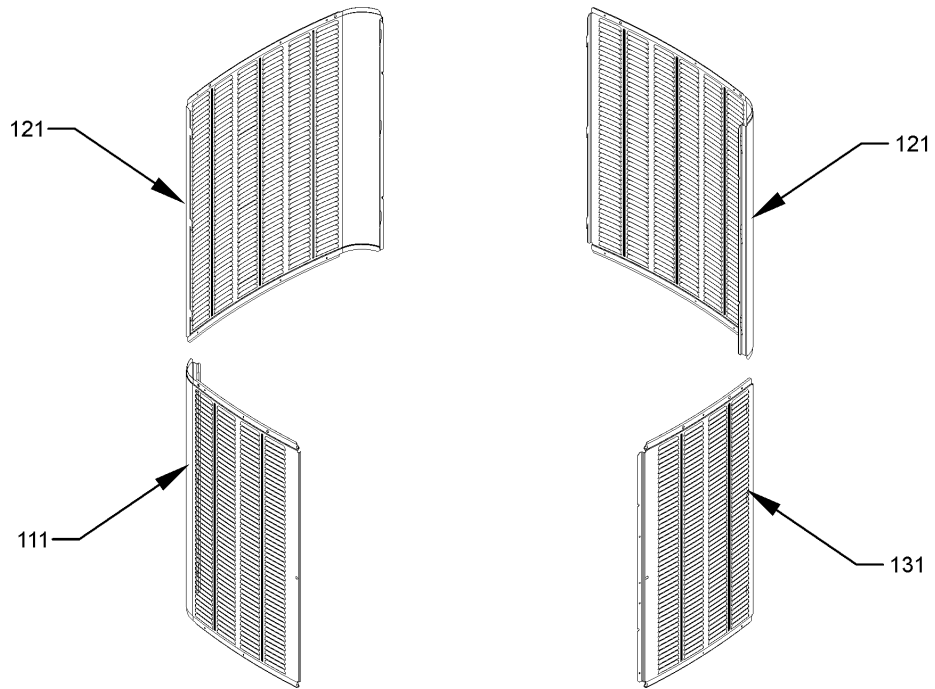
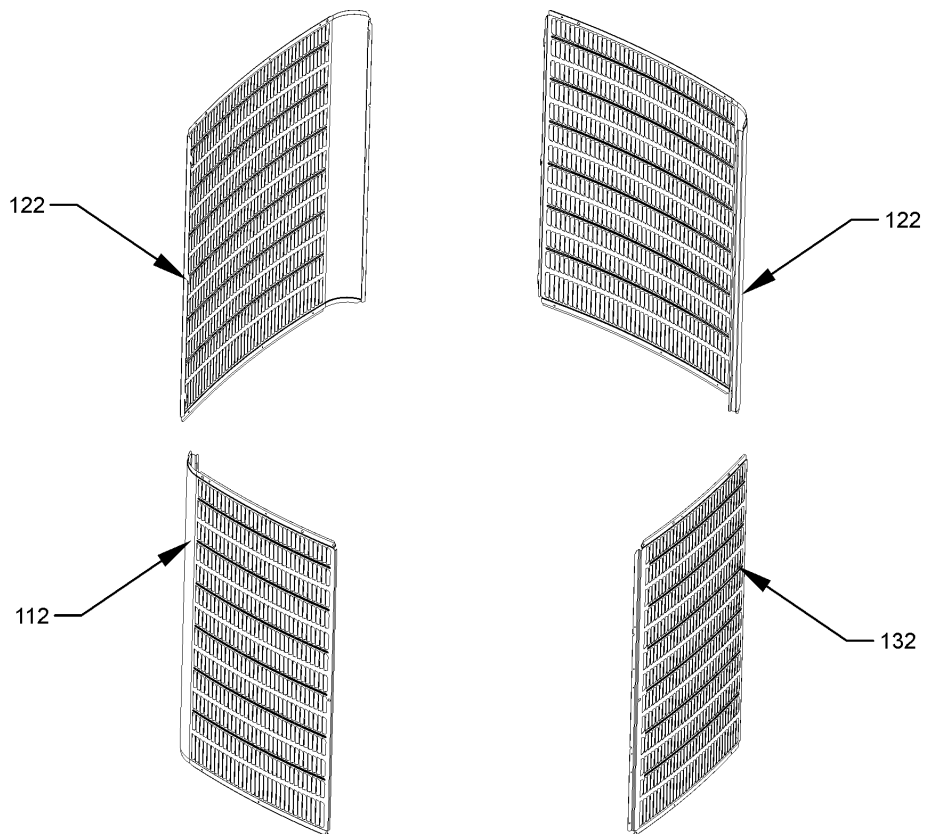


Image 2



Louvered Panels

Ref. Part No:	Part No:	Description:	Ref. Part No:	Part No:	Description:
---------------	----------	--------------	---------------	----------	--------------

Image 1:

111	4400464PLGB	LOUVERED SIDE PANEL [LT OF CNTL PNL] (M11, M13)
111	0121R00200PLGB	LOUVERED SIDE PANEL [LT OF CNTL PNL] (M5, M6, M7, M8)
111	0121R00202PLGB	LOUVERED SIDE PANEL [LT OF CNTL PNL] (M9, M10)
111	0121R00207PLGB	LOUVERED SIDE PANEL [LT OF CNTL PNL] (M1, M2)
111	0121R00208PLGB	LOUVERED SIDE PANEL [LT OF CNTL PNL] (M3, M4)
111	0121R00239PLGB	LOUVERED SIDE PANEL [LT OF CNTL PNL] (M12)
121	0121R00198PLGB	LOUVERED SIDE PANEL (M1, M2)
121	0121R00199PLGB	LOUVERED SIDE PANEL (M3, M4)
121	0121R00204PLGB	LOUVERED SIDE PANEL (M5, M6, M7, M8)
121	0121R00205PLGB	LOUVERED SIDE PANEL (M9, M10)
121	0121R00243PLGB	LOUVERED SIDE PANEL (M12)
121	4400466PLGB	LOUVERED SIDE PANEL (M11, M13)
131	0121R00193PLG	LOUVERED SIDE PANEL [RT OF CNTL PNL] (M5, M6, M7, M8)
131	0121R00194PLG	LOUVERED SIDE PANEL [RT OF CNTL PNL] (M9, M10)
131	0121R00196PLG	LOUVERED SIDE PANEL [RT OF CNTL PNL] (M1, M2)
131	0121R00197PLG	LOUVERED SIDE PANEL [RT OF CNTL PNL] (M3, M4)
131	0121R00247PLG	LOUVERED SIDE PANEL [RT OF CNTL PNL] (M12)
131	4400468PLG	LOUVERED SIDE PANEL [RT OF CNTL PNL] (M11, M13)

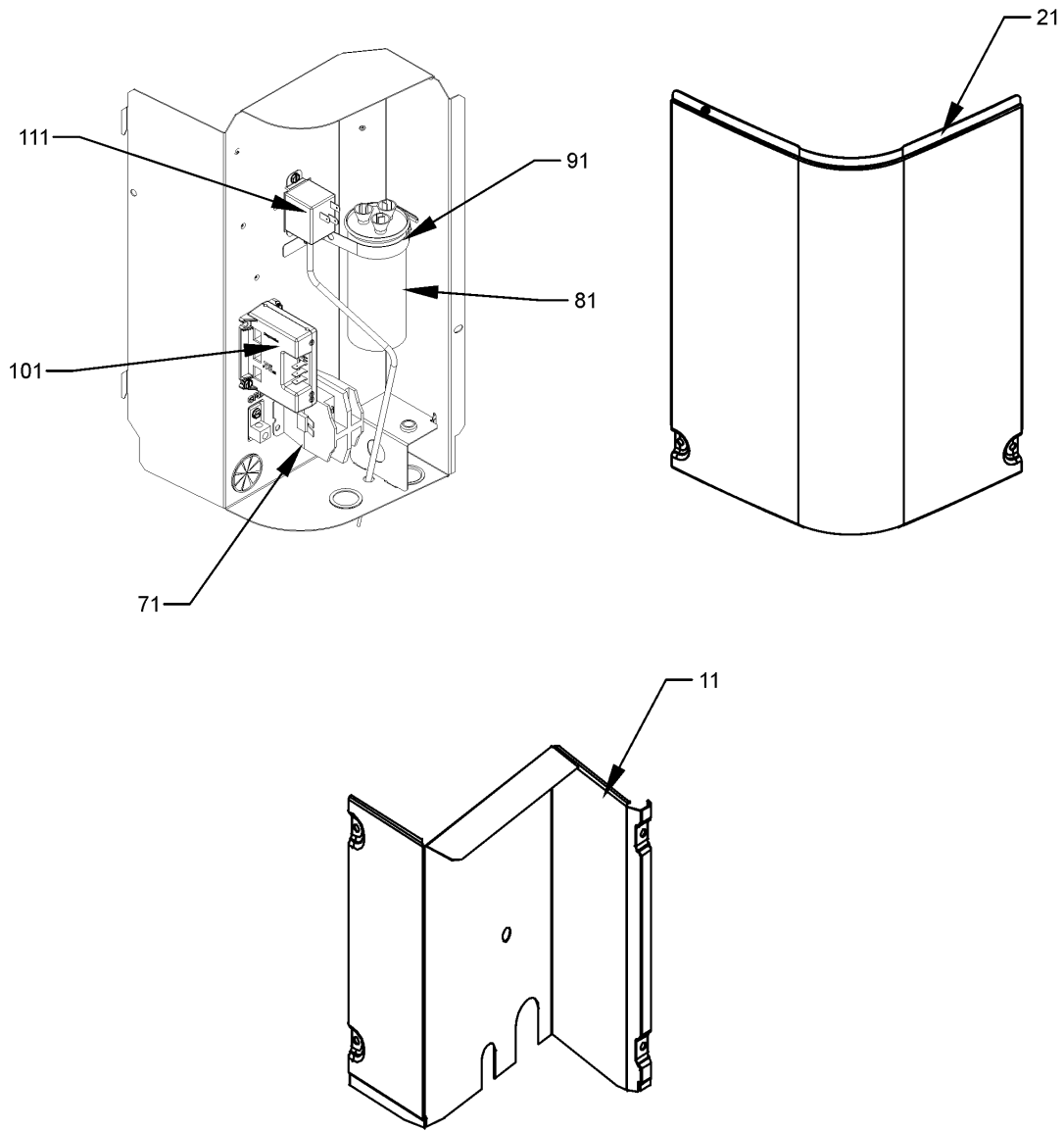
Image 2:

112	0121R00102PDGB	LOUVERED SIDE PANEL [LT OF CNTL PNL] (M14)
112	0121R00125PDGB	LOUVERED SIDE PANEL [LT OF CNTL PNL] (M16, M17)
112	0121R00127PDGB	LOUVERED SIDE PANEL [LT OF CNTL PNL] (M18)
112	0121R00171PDGB	LOUVERED SIDE PANEL [LT OF CNTL PNL] (M15)
112	0121R00228PDGB	LOUVERED SIDE PANEL [LT OF CNTL PNL] (M19)
122	0121R00109PDGB	LOUVERED SIDE PANEL (M14)
122	0121R00132PDGB	LOUVERED SIDE PANEL (M16, M17)
122	0121R00134PDGB	LOUVERED SIDE PANEL (M18)
122	0121R00172PDGB	LOUVERED SIDE PANEL (M15)
122	0121R00231PDGB	LOUVERED SIDE PANEL (M19)
132	0121R00139PDG	LOUVERED SIDE PANEL [RT OF CNTL PNL] (M16, M17)
132	0121R00116S	LOUVERED SIDE PANEL [RT OF CNTL PNL] (M14)
132	0121R00141PDG	LOUVERED SIDE PANEL [RT OF CNTL PNL] (M18)
132	0121R00173PDG	LOUVERED SIDE PANEL [RT OF CNTL PNL] (M15)
132	0121R00234PDG	LOUVERED SIDE PANEL [RT OF CNTL PNL] (M19)

Expanded Model Nomenclature

M1 - ASX140181BA
M2 - ASX140181CA
M3 - ASX140241BA
M4 - ASX140241CA
M5 - ASX140301BA
M6 - ASX140301CA
M7 - ASX140361BA
M8 - ASX140361CA
M9 - ASX140421CA
M10 - ASX140421DA
M11 - ASX140481BA
M12 - ASX140481CA
M13 - ASX140601BA
M14 - SSX140181BA
M15 - SSX140241BA
M16 - SSX140301BA
M17 - SSX140361BA
M18 - SSX140421CA
M19 - SSX140481BA

Control Box and Cover



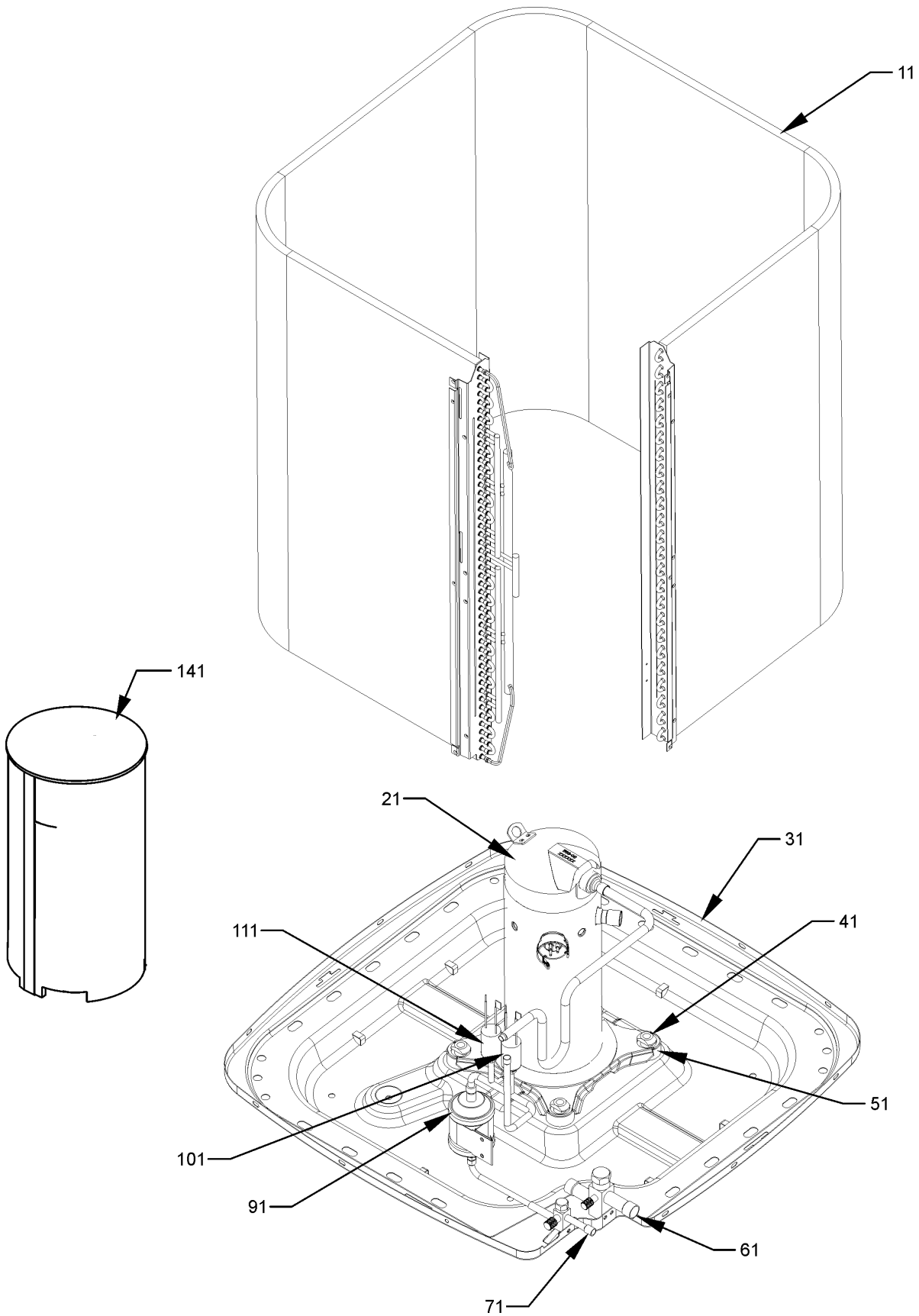
Control Box and Cover

Ref. Part No:	No:	Description:	Ref. Part No:	No:	Description:
<i>Image 1:</i>					
11	0121R00094PDG	LOWER ACCESS PANEL (M1, M2, M14)			
11	0121R00096PDG	LOWER ACCESS PANEL (M3, M4, M5, M6, M7, M8, M15, M16, M17)			
11	0121R00098PDG	LOWER ACCESS PANEL (M9, M10, M12, M18, M19)			
11	4400205PDG	LOWER ACCESS PANEL (M11, M13)			
21	0121R00053PDG	CONTROL COVER			
71	CONT1P025024VS	CONTACTOR 25 AMP, 1P, 24V (M1, M2, M3, M4, M5, M6, M7, M8, M9, M10, M14, M15, M16, M17, M18)			
71	CONT1P030024VS	CONTACTOR 30 AMP, 1P, 24V (M11, M12, M13, M19)			
81	CAP050300440RSS	CAPACITOR 5/30/370V (M1, M2, M14)			
81	CAP050350440RSS	CAPACITOR 5/35/440V (M3, M4, M15)			
81	CAP050400440RT	CAPACITOR 5/40/440V (M5, M6, M16)			
81	CAP050450440RT	CAPACITOR 5/45/440V (M7, M8, M9, M10, M11, M12, M17, M18, M19)			
81	CAP050700440RTS	CAPACITOR 5/70/440V (M13)			
91	4400065	CAPACITOR STRAP			
101	543001000S	COMFORT ALERT MODULE (M1, M3, M5, M7, M9)			
101	543001001	COMFORT ALERT MODULE (M2, M4, M6, M8, M10, M11, M12, M13)			
111	0130M00011P	LOW AMBIENT THERMOSTAT, SPDT (M1, M2, M3, M4, M5, M6, M7, M8, M9, M10, M11, M12, M13)			
NS	0161R00010P	AMANA NAMEPLATE (M1, M2, M3, M4, M5, M6, M7, M8, M9, M10, M11, M12, M13)			
NS	0161R00009P	NAMEPLATE (M14, M15, M16, M17, M18, M19)			

Expanded Model Nomenclature

- M1 - ASX140181BA
- M2 - ASX140181CA
- M3 - ASX140241BA
- M4 - ASX140241CA
- M5 - ASX140301BA
- M6 - ASX140301CA
- M7 - ASX140361BA
- M8 - ASX140361CA
- M9 - ASX140421CA
- M10 - ASX140421DA
- M11 - ASX140481BA
- M12 - ASX140481CA
- M13 - ASX140601BA
- M14 - SSX140181BA
- M15 - SSX140241BA
- M16 - SSX140301BA
- M17 - SSX140361BA
- M18 - SSX140421CA
- M19 - SSX140481BA

Condenser Coil and Tubing Assembly



Condenser Coil and Tubing Assembly

Ref. Part No:	Ref. Part No:	Description:	Description:
<i>Image 1:</i>		<i>Image 1:</i>	
11	0201R00134S	TUBING ASSY, COND COIL (M11)	NS B1789878 FLOW CHECK PISTON KIT .078 (M12, M19)
11	0201R00137S	TUBING ASSY, COND COIL (M13)	NS B1789879 FLOW CHECK PISTON KIT .079 (M11)
11	0201R00230S	TUBING ASSY, COND COIL (M5, M6, M16)	NS B1789888 FLOW CHECK PISTON KIT .088 (M13)
11	0201R00251S	TUBING ASSY, COND COIL (M3, M4, M15)	
11	0201R00271S	TUBING ASSY, COND COIL (M1, M2, M14)	Expanded Model Nomenclature
11	0201R00279	TUBING ASSY, COND COIL (M7, M8, M17)	M1 - ASX140181BA
11	0201R00312	TUBING ASSY, COND COIL (M12, M19)	M2 - ASX140181CA
11	0201R00315	TUBING ASSY, COND COIL (M9, M10, M18)	M3 - ASX140241BA
21	ZP20K5EPFV130	COMPRESSOR 20000, 208/230/60/1 (M3, M4, M15)	M4 - ASX140241CA
21	ZP24K5EPFV130	COMPRESSOR 24000, 208/230/60/1 (M5, M6, M16)	M5 - ASX140301BA
21	ZP29K5EPFV130	COMPRESSOR 29000, 208/230/60/1 (M7, M8, M17)	M6 - ASX140301CA
21	ZP31K5EPFV830	COMPRESSOR 31100, 208/230/60/1 (M9, M10, M18)	M7 - ASX140361BA
21	ZP38K5EPFV130	COMPRESSOR 37500, 208/230/60/1 (M11, M12, M19)	M8 - ASX140361CA
21	ZP51K5EPFV830	COMPRESSOR 51000, 208/230/60/1 (M13)	M9 - ASX140421CA
21	ZP16K5EPFV130	COMPRESSOR 15500, 208/230/60/1 (M1, M2, M14)	M10 - ASX140421DA
31	0121R00005PDG	BASE PAN 26" (M1, M2, M3, M4, M14, M15)	M11 - ASX140481BA
31	0121R00006PDG	BASE PAN 29" (M5, M6, M7, M8, M9, M10, M16, M17, M18)	M12 - ASX140481CA
31	0121R00007PDG	BASE PAN 35" (M11, M12, M13, M19)	M13 - ASX140601BA
41	M0221641	TF SHOULDER SCREW (QTY 4)	M14 - SSX140181BA
51	B1339533	COMPRESSOR GROMMET (QTY 4)	M15 - SSX140241BA
61	0151R00002P	3/4" SERVICE VALVE OPEN LEFT (M1, M2, M3, M4, M5, M6, M7, M8, M14, M15, M16, M17)	M16 - SSX140301BA
61	0151R00003P	7/8" SERVICE VALVE OPEN LEFT (M9, M10, M11, M12, M13, M18, M19)	M17 - SSX140361BA
71	B12825171	3/8" SERVICE VALVE	M18 - SSX140421CA
91	0162R00009	FILTER DRIER	M19 - SSX140481BA
101	20322603	HIGH PRESSURE SWITCH	
111	0130M00082	LOW PRESSURE SWITCH (M12, M19)	
111	0130R00001	LOW PRESSURE SWITCH (M1, M2, M3, M4, M5, M6, M7, M8, M9, M10, M11, M13, M14, M15, M16, M17, M18)	
141	B1488806	COMPRESSOR SOUND BLANKET (M11, M12, M13, M19)	
141	B1488810	COMPRESSOR SOUND BLANKET (M1, M2, M3, M4, M5, M6, M7, M8, M9, M10, M14, M15, M16, M17, M18)	
NS	0159R00000P	COMPRESSOR SCROLL HARNESS (M1, M2, M3, M4, M14, M15)	
NS	0159R00001P	COMPRESSOR SCROLL HARNESS (M5, M6, M7, M8, M9, M10, M16, M17, M18)	
NS	0159R00002P	COMPRESSOR SCROLL HARNESS (M11, M12, M13, M19)	
NS	B1789852	FLOW CHECK PISTON KIT .052 (M1, M2, M14)	
NS	B1789855	FLOW CHECK PISTON KIT .055 (M3, M4, M15)	
NS	B1789865	FLOW CHECK PISTON KIT .065 (M5, M6, M16)	
NS	B1789868	FLOW CHECK PISTON KIT .068 (M7, M8, M17)	
NS	B1789870	FLOW CHECK PISTON KIT .070 (M9, M10, M18)	

THIS PAGE INTENTIONALLY LEFT BLANK