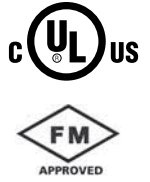


## Features

- Innovative design simplifies installation to save time and money
- Unique slotted holes provide for easy slip-on installation – no more loose hardware
- Snap-off bolt head helps enable easy installation and inspection of seismic sway braces
- Entire range works with 1" through 2" brace pipes and 1/4" (6.4 mm) angle iron helping to reduce inventory
- Slotted design grabs service pipe for robust gripping strength
- Meets NFPA<sup>®</sup>-13 requirements for seismic sway bracing
- UL<sup>®</sup> Listed for SCH 7, SCH 10 and SCH 40 service pipes
- UL Listed load up to 1,265 lbs (5,627 N) in longitudinal direction and 3,000 lbs (13,345 N) in lateral direction
- FM Approved for SCH 7, SCH 10, SCH 40, GB/T 3091, GB/T 3092 and GB/T 8163 service pipes



*Products meet NFPA requirements for seismic applications!*



## Easy Universal Sway Brace

The Easy Universal Sway Brace from ERICO<sup>®</sup> is the latest innovation designed to simplify installations when bracing service pipe for seismic or other catastrophic events. This innovative brace installs in a fraction of the time of a standard sway brace. It features slotted holes to allow for easy installation without requiring hardware removal, meaning no time is lost going up and down the ladder looking for dropped nuts and bolts.

The special serrated flange-head bolts eliminate the need to use a wrench on both the bolt and nut. Just hold the bolt in place with your finger and tighten the nut from the front side.

## Installation is easy...



### Step 1:

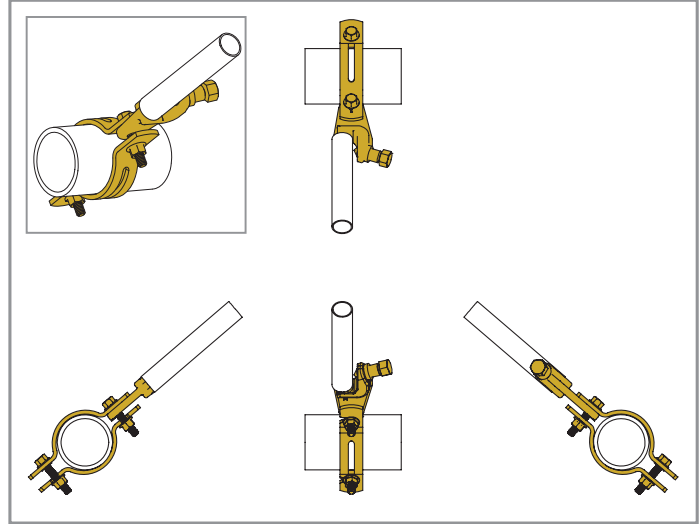
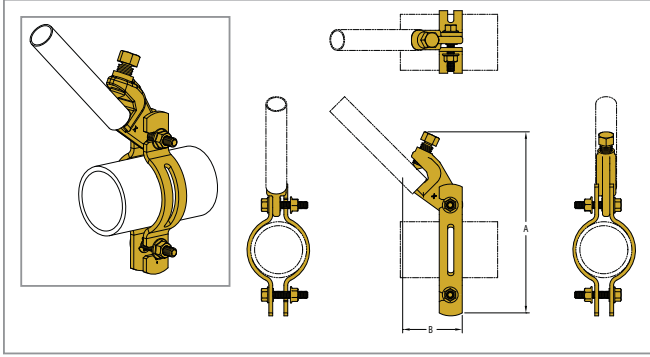
Separate clamp and place around the pipe. Slide slotted component over bolt and tighten. Secure brace pipe by sliding clamp into pipe and snapping off bolt head.



### Step 2:

Tighten nuts on the Easy Universal Sway Brace until securely locked in place.





- For use in lateral and longitudinal sway bracing applications
- Standard electro-galvanized finish provides superior corrosion protection
- Hot-dip galvanized finish is also available as special order

## Specifications

Part Number	Description	Service Pipe Size in (DN)	UL Listed Load SCH 7 Lateral Bracing lbs (N)	UL Listed Load SCH 10/40 Lateral Bracing lbs (N)	UL Listed Load SCH 7 Longitudinal Bracing lbs (N)	UL Listed Load SCH 10/40 Longitudinal Bracing lbs (N)	FM Approved Design Load SCH 7/10/40 Lateral Bracing lbs (N)	FM Approved Design Load SCH 7/10/40 Longitudinal Bracing lbs (N)	A in (mm)	B in (mm)
CSBEZU0100EG	1" Easy Universal Sway Brace EG	1 (25)	N/A	655 (2,913)	N/A	655 (2,913)	2,400*** (10,675)	1,000*** (4,448)	6-7/8 (174.6)	1 (25.4)
CSBEZU0125EG	1-1/4" Easy Universal Sway Brace EG	1-1/4 (32)	655 (2,913)	655 (2,913)	655 (2,913)	655 (2,913)	2,400 (10,675)	1,000 (4,448)	7-3/8 (187.4)	1 (25.4)
CSBEZU0150EG	1-1/2" Easy Universal Sway Brace EG	1-1/2 (40)	655 (2,913)	655 (2,913)	655 (2,913)	655 (2,913)	2,400 (10,675)	1,000 (4,448)	7-3/4 (196.9)	1 (25.4)
CSBEZU0200EG	2" Easy Universal Sway Brace EG	2 (50)	3,000** (13,344)	3,000** (13,344)	655 (2,913)	655 (2,913)	3,300 (14,679)	1,200 (5,337)	8-1/8 (206.4)	1-3/16 (30.2)
CSBEZU0250EG	2-1/2" Easy Universal Sway Brace EG	2-1/2 (65)	3,000** (13,344)	3,000** (13,344)	1,265 (5,267)	1,265 (5,267)	3,300 (14,679)	1,200 (5,337)	8-7/8 (225.4)	1-3/16 (30.2)
CSBEZU0300EG	3" Easy Universal Sway Brace EG	3 (80)	3,000** (13,344)	3,000** (13,344)	1,265 (5,267)	1,265 (5,267)	3,300 (14,679)	1,200 (5,337)	9-3/8 (238.1)	1-3/16 (30.2)
CSBEZU0400EG	4" Easy Universal Sway Brace EG	4 (100)	3,000** (13,344)	3,000** (13,344)	1,265 (5,267)	1,265 (5,267)	4,500 (20,016)	1,500 (6,672)	10-5/8 (269.9)	1-1/2 (38.1)
CSBEZU0500EG	5" Easy Universal Sway Brace EG	5 (125)	3,000** (13,344)	3,000** (13,344)	1,265 (5,267)	1,265 (5,267)	4,500 (20,016)	1,500 (6,672)	12-1/8 (308.0)	1-1/2 (38.1)
CSBEZU0600EG	6" Easy Universal Sway Brace EG	6 (150)	3,000** (13,344)	3,000** (13,344)	1,265 (5,267)	1,265 (5,267)	4,500 (20,016)	1,700 (7,561)	13-5/8 (346.1)	2 (50.8)
CSBSTU0800EG*	8" Standard Universal Sway Brace EG	8 (200)	N/A	3,000** (13,344)	N/A	2,015 (8,963)	5,500*** (24,465)	4,250*** (8,904)	15-3/4 (400.1)	2 (50.8)
CSBSTU1000EG*	10" Standard Universal Sway Brace EG	10 (250)	N/A	3,000** (13,344)	N/A	3,000** (13,344)	5,500*** (24,465)	4,250*** (8,904)	18 (457.2)	2 (50.8)

\* CSBSTU0800EG and CSBSTU1000EG do not include slotted holes. Refer to Standard Universal Sway Brace brochure for additional details.

\*\* When using angle iron instead of brace pipe load ratings reduced to 2,015 lbs (8,963 N).

\*\*\* Not applicable for SCH 7.

UL is a registered trademark of Underwriters Laboratories, Inc. NFPA is a registered trademark of the National Fire Protection Association.

**WARNING**  
 ERICO products shall be installed and used only as indicated in ERICO's product instruction sheets and training materials. Instruction sheets are available at [www.erico.com](http://www.erico.com) and from your ERICO customer service representative. Improper installation, misuse, misapplication or other failure to completely follow ERICO's instructions and warnings may cause product malfunction, property damage, serious bodily injury and death.

Copyright ©2009, 2011 ERICO International Corporation. All rights reserved.

CADDY, CADWELD, CRITEC, ERICO, ERIFLEX, ERITECH, and LENTON are registered trademarks of ERICO International Corporation.