

865
866

865 • 866

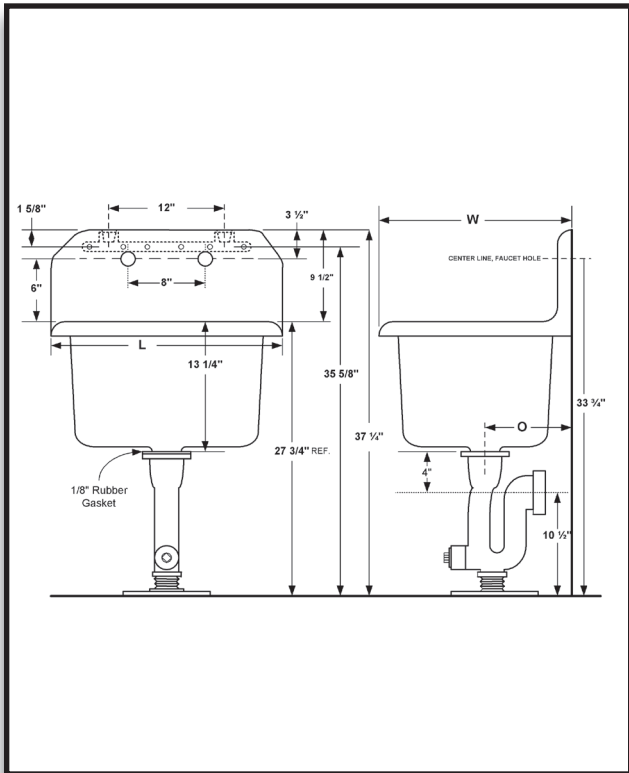
Service Sink
Wall Hung Installation
Includes Hanger

Drilled for and includes
stainless steel rim guard

Accessories: (Sold Separately)
870 2" or 3" Trap Standard



865 • 866



Cat. No.	Size	Specs			Ship Wt.
		L	W	O	
865	22" x 18"	22"	18"	9"	90 lbs.
866	24" x 20"	24"	20"	10"	109 lbs.

ACID RESISTANT ENAMEL ON CAST IRON



1310 E. Borchard Ave. • Santa Ana, CA 92705 • P 714.656.1950 • F 714.656.1969
www.cecosinks.com