



AMERICAN STANDARD

# ASHBEE™

## TISSUE HOLDER



- Solid brass construction
- Concealed mounting
- Includes assembly hardware

### AVAILABLE FINISHES

Polished Chrome  
Brushed Nickel  
Platinum Nickel

### FINISH CODE

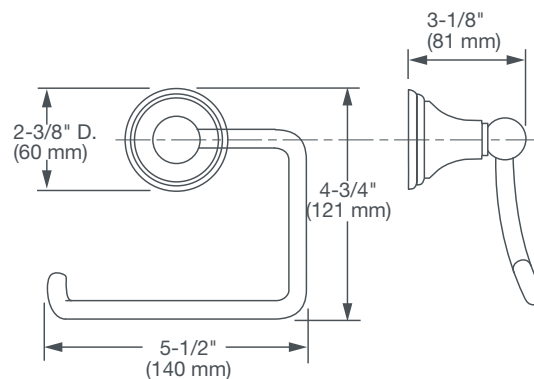
100  
144  
150

### DESCRIPTION

Tissue Holder

### PRODUCT NUMBER

D35101235.XXX



**IMPORTANT:** These measurements are subject to change or cancellation.  
No responsibility is assumed for use of superseded or voided pages.