

American Standard

Installation Instructions

MONTERREY SPREAD LAVATORY FAUCETS

6540.140
6540.170
6542.140
6542.170
6542.145
6540.175
6542.175

Thank you for selecting American-Standard...
the benchmark of fine quality for over 100 years.

To ensure that your installation proceeds smoothly—
please read these instructions carefully before you begin.



Certified to comply with ANSI A112.18.1M
M968508 REV. 1.4

Recommended tools



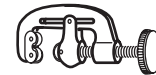
Screwdriver



Channel Locks



Adjustable Wrench



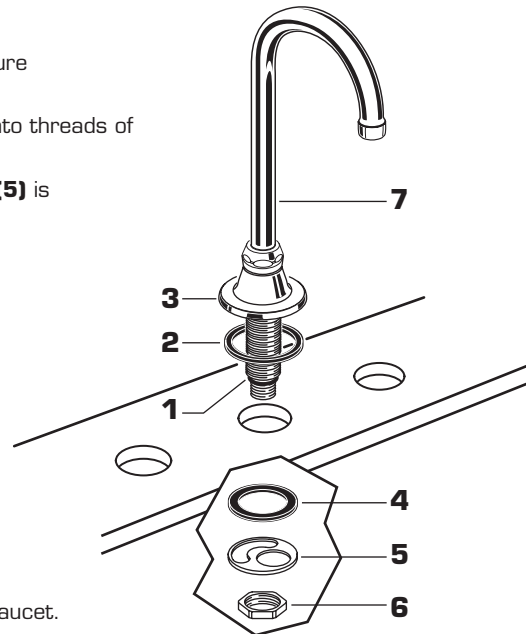
Tubing Cutter

1 SPOUT OR BASE ASSEMBLY

CAUTION

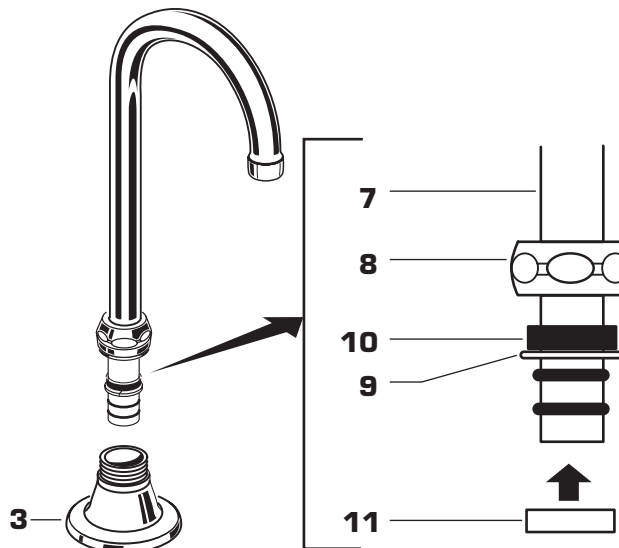
Turn off water at
main supply.

- Insert SPOUT SHANK (1) through center hole of mounting surface, making sure RUBBER GASKET (2) is properly positioned in SPOUT BASE (3).
- Assemble RUBBER WASHER (4), BRASS WASHER (5), and LOCKNUT (6) onto threads of SPOUT SHANK (1) from underside of mounting surface.
- Align SPOUT (7) and tighten LOCKNUT (6). Be sure slot in BRASS WASHER (5) is positioned to the rear as shown.



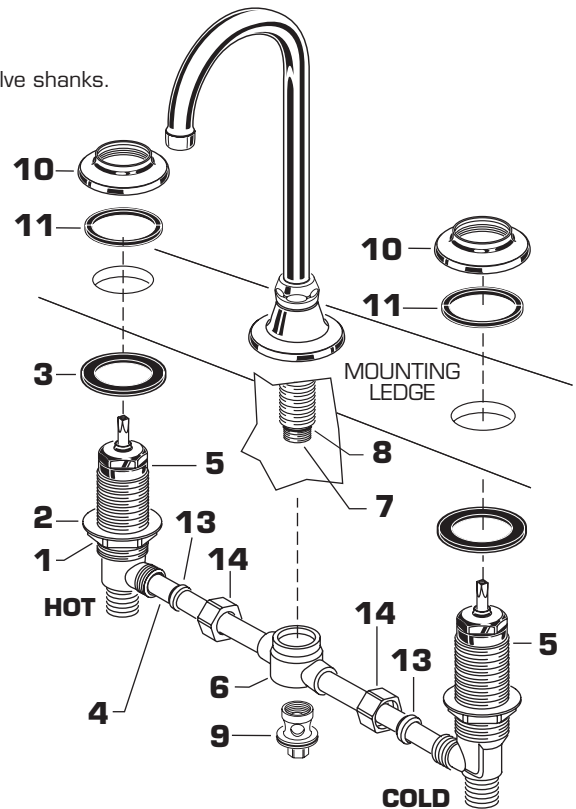
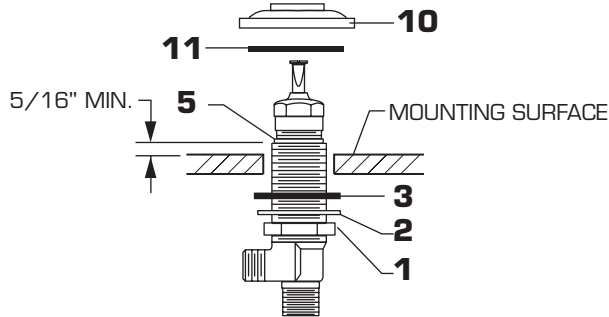
1a TO CHANGE SPOUT TO A SWIVEL SPOUT:

- Unscrew SPOUT NUT (8) and remove SPOUT (7).
- Take SPOUT CLIP (9) off SPOUT (7) and remove RUBBER RING (10).
- Replace RUBBER RING (10) with separate PLASTIC RING (11) packed with faucet.
- Put SPOUT CLIP (9) on SPOUT (7).
- Reassemble SPOUT (7) to SPOUT BASE (3).



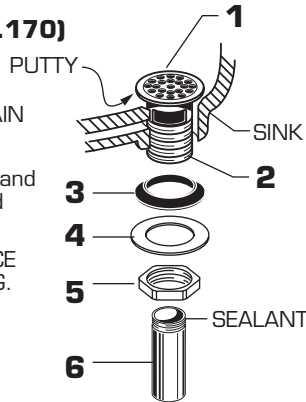
2 VALVE ASSEMBLY

- Install LOCKNUTS (1), BRASS WASHERS (2) and RUBBER WASHERS (3) onto valve shanks.
- Push TUBING (4) ends into VALVE (5) side outlets. Insert VALVES (5) into mounting holes from underside of ledge.
- Press TEE (6) onto SPOUT SHANK (7) making certain that the O-RING (8) is properly seated on SHANK (7). Push COUPLING (9) into TEE (6) and attach to SPOUT SHANK (7) and tighten.
- Place RUBBER RING (11) into DECK ADAPTERS (10) and thread onto valves until snug against internal stop.
- Tighten LOCKNUT (1) to secure VALVE (5) position.
- Slide FERRULE (13) and COUPLING NUT (14) to outlet of VALVE (5) and tighten COUPLING NUT (14) firmly.
- Connect HOT water supply to inlet of left VALVE and COLD water supply to inlet of right VALVE using appropriate connector.



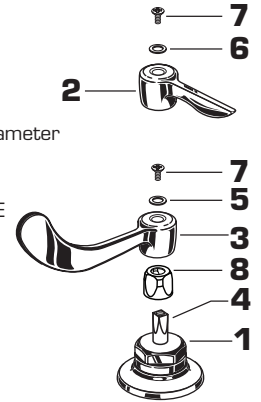
3 DRAIN ASSEMBLY (6542.140/.170)

- Apply a bead of PUTTY around underside of DRAIN FLANGE (1) flange. Insert DRAIN PLUG (2) into SINK drain hole.
- Hold DRAIN PLUG (2) to prevent turning and assemble GASKET (3), WASHER (4), and LOCKNUT (5) from underneath sink.
- Apply sealant to threaded end of TAILPIECE and thread into lower end of DRAIN PLUG. Connect other end to trap.



4 INSTALL HANDLES

- Turn VALVES (1) to off position.
- Insert ADAPTOR (8) with larger diameter over the VALVE STEM (4).
- Align LEVER (2) or WRIST BLADE HANDLE (3) and install onto VALVE STEM (4).
- Insert BLUE INDEX (5) into cold valve (right side) and red INDEX (6) into hot valve (left side).
- Insert HANDLE SCREW (7) into HANDLES and tighten with screwdriver.



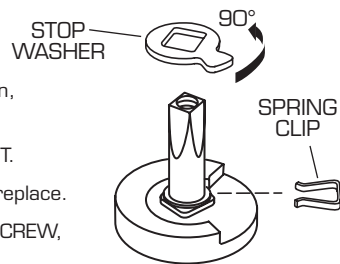
5 TEST INSTALLED FAUCET

- Remove AERATOR.
- With handle in OFF position, turn on water supplies and check all connections for leaks.

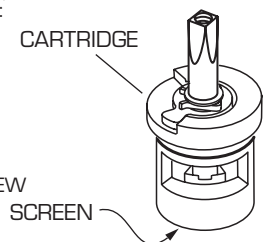
- Operate both handles to flush water lines thoroughly. Check spout mounting and hose connections for leaks.
- Turn handles into OFF position and replace AERATOR.

6 SERVICE

- To change direction of handle rotation, proceed as follows:
 - Turn valve to OFF position.
 - Remove HANDLE and BONNET NUT.
 - Remove SPRING CLIP.
 - Lift STOP WASHER, turn 90° and replace.
 - Replace SPRING CLIP.
 - Replace BONNET NUT, HANDLE, SCREW, and INDEX.
- AERATOR may accumulate dirt causing distorted and reduced water flow. Remove AERATOR and rinse clean.



- If spout drips, operate handles several times from OFF to ON position. Do not force - handles turn only 90°.
- Plastic SCREEN in CARTRIDGE may accumulate dirt causing reduced water flow. To clean, first turn off hot and cold water supplies, then:
 - Remove HANDLE and BONNET NUT.
 - Remove CARTRIDGE by pulling up.
 - Thoroughly rinse plastic SCREEN at base of CARTRIDGE.
- Replace CARTRIDGE until flange is tight against valve body.
- Turn valves OFF.
- Replace BONNET NUT, HANDLE, SCREW and INDEX.



CARE INSTRUCTIONS:

DO: SIMPLY RINSE THE PRODUCT CLEAN WITH CLEAR WATER. DRY WITH A SOFT COTTON FLANNEL CLOTH.

DO NOT: DO NOT CLEAN THE PRODUCT WITH SOAPS, ACID, POLISH, ABRASIVES, HARSH CLEANERS, OR A CLOTH WITH A COARSE SURFACE.