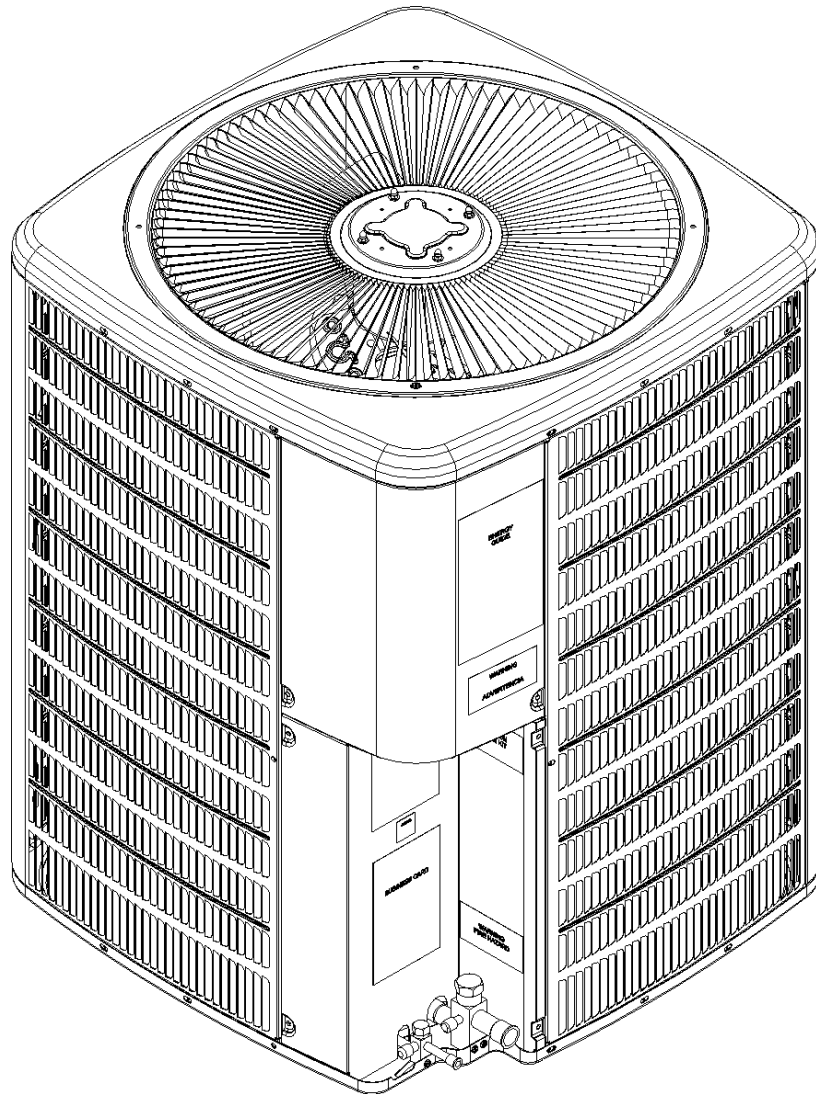


REPAIR PARTS

GSC13 SEER Condenser Unit

GSC130181BB
GSC130181DA
GSC130181FA
GSC130241DB
GSC130241EA
GSC130241FA
GSC130301DB
GSC130301EA
GSC130301EB
GSC130361FB
GSC130361GA
GSC130363BB
GSC130363BC
GSC130421BB
GSC130481BB
GSC130483BB
GSC130601CB
GSC130603BB



This manual is to be used by qualified technicians only.

This manual replaces RP-652A.

© 2009, 2012 Goodman Manufacturing Company, L.P. ♦ 5151 San Felipe, Suite 500 ♦ Houston, TX 77056

Important Information

Index

Functional Parts List	3
Illustration and Parts	4 - 9

Views shown are for parts illustrations only, not servicing procedures.

Text Codes:

AR - As Required

NA - Not Available

NS - Not Shown

00000000 - See Note

QTY - Quantity Example (QTY 3) (If Quantity not shown, Quantity = 1)

M - Model Example (M1) (If M Code not shown, then part is used on all Models)

Expanded Model Nomenclature:

Example M1 - Model#1 M2 - Model#2 M3 - Model#3

Goodman Manufacturing Company, L.P. is not responsible for personal injury or property damage resulting from improper service. Review all service information before beginning repairs.

Warranty service must be performed by an authorized technician, using authorized factory parts. If service is required after the warranty expires, Goodman Manufacturing Company, L.P. also recommends contacting an authorized technician and using authorized factory parts.

Goodman Manufacturing Company, L.P. reserves the right to discontinue, or change at any time, specifications or designs without notice or without incurring obligations.

For assistance within the U.S.A. contact:
Consumer Affairs Department
Goodman Manufacturing Company, L.P.
7401 Security Way
Houston, Texas 77040
877-254-4729-Telephone
713-863-2382-Facsimile

For assistance outside the U.S.A. contact:
International Division
Goodman Manufacturing Company, L.P.
7401 Security Way
Houston, Texas 77040
713-861-2500-Telephone
713-863-2382-Facsimile

Functional Parts

Part

No: Description:

Part No:	Description:	Part No:	Description:
B12825171	3/8" SERVICE VALVE	0150M00033	FAN BLADE, 20", 3 BLADE, 24DEG (M9)
730027-2001-10	BRISTOL COMPRESSOR (M2)	0151R00032	VALVE, BASE 3/4" OPEN LEFT (M1, M2, M3, M4, M5, M6, M7, M8, M9, M10, M11, M12, M13)
730030-2001-10	BRISTOL COMPRESSOR (M5)	0151R00033	VALVE, BASE 7/8" OPEN LEFT (M14, M15, M16, M17, M18)
730049-2001-10	BRISTOL COMPRESSOR (M11)		
730027-2001-10	BRISTOL COMPRESSOR (M3)		
CAP050350440RS	CAPACITOR 5/35/440V (M1, M2, M3, M4, M5, M6, M10)		
CAP050000370VA	CAPACITOR 5/370V (M12, M13, M16, M18)		
CAP050400440RT	CAPACITOR 5/40/440V (M7, M8, M9, M11)		
CAP050550440RT	CAPACITOR 5/55/440V (M14, M15)		
CAP050600440RT	CAPACITOR 5/60/440V (M17)		
ZR25K5PFV100	COMP, 25300, 208/230/60/1 (M8, M9)		
ZR21K5PFV100	COMP, 21000, 208/230/60/1 (M6)		
CR28K7TF5230	COMP, 28000, 200/230/60/3 (M12)		
ZR28K5TF5130	COMP, 28400, 200/230/60/3 (M13)		
ZR42K5TF5800	COMP, 40600, 208/230/60/3 (M16)		
CR14K7PFV230	COMPRESSOR 14100, 208/230/60/1 (M1)		
CR18K7PFV230	COMPRESSOR 17500, 208/230/60/1 (M4)		
CR23K7PFV230	COMPRESSOR 22600, 208/230/60/1 (M7)		
CR28K7PFV230	COMPRESSOR 28300, 208/230/60/1 (M10)		
ZR38KAPFV130	COMPRESSOR 38000, 208/230/60/1 (M14)		
ZR40K3PFV230	COMPRESSOR 40600, 208/230/60/1 (M15)		
ZR48K3TF5235	COMPRESSOR 49100, 200/230/60/3 (M18)		
ZR48K3PFV235	COMPRESSOR 49800, 208/230/60/1 (M17)		
0131M00018P	COND MOTOR 1/4 HP, 1 SP, 6 PL (M13, M14, M15, M16, M17, M18)		
0131M00016P	COND MOTOR 1/6 HP, 1 SP, 8 PL (M10, M11, M12)		
0131M00276	COND MOTOR, 1/8 HP, ISP, 6PL (M3, M6, M9)		
0131M00266	COND MOTOT 1/8 HP 8 PL PSC (M1, M2, M4, M5, M7, M8)		
CONT1P025024V	CONTACTOR 25 AMP, 1P, 24V (M3, M6)		
CONT1P025024V	CONTACTOR 25 AMP, 1P, 24V (M1, M2, M4, M5, M7, M8, M9, M10, M11, M14, M15)		
CONT3P025024V	CONTACTOR 25 AMP, 3P, 24V (M12, M13, M16, M18)		
CONT1P030024V	CONTACTOR 30 AMP, 1P, 24V (M17)		
0150M00018	FAN BLADE 20" (M5)		
0150M00012	FAN BLADE 20" CCW (M1, M2, M4, M7, M8)		
B1086775	FAN BLADE 22" (M14, M15, M16)		
0150M00008	FAN BLADE 22" TNT2203-25 (M10, M12)		
B1086750	FAN BLADE 22", 3 BLADE, 24° (M13, M17, M18)		
B1086764	FAN BLADE TYPE 2 (M11)		
0150M00030	FAN BLADE, 18" (M3, M6)		

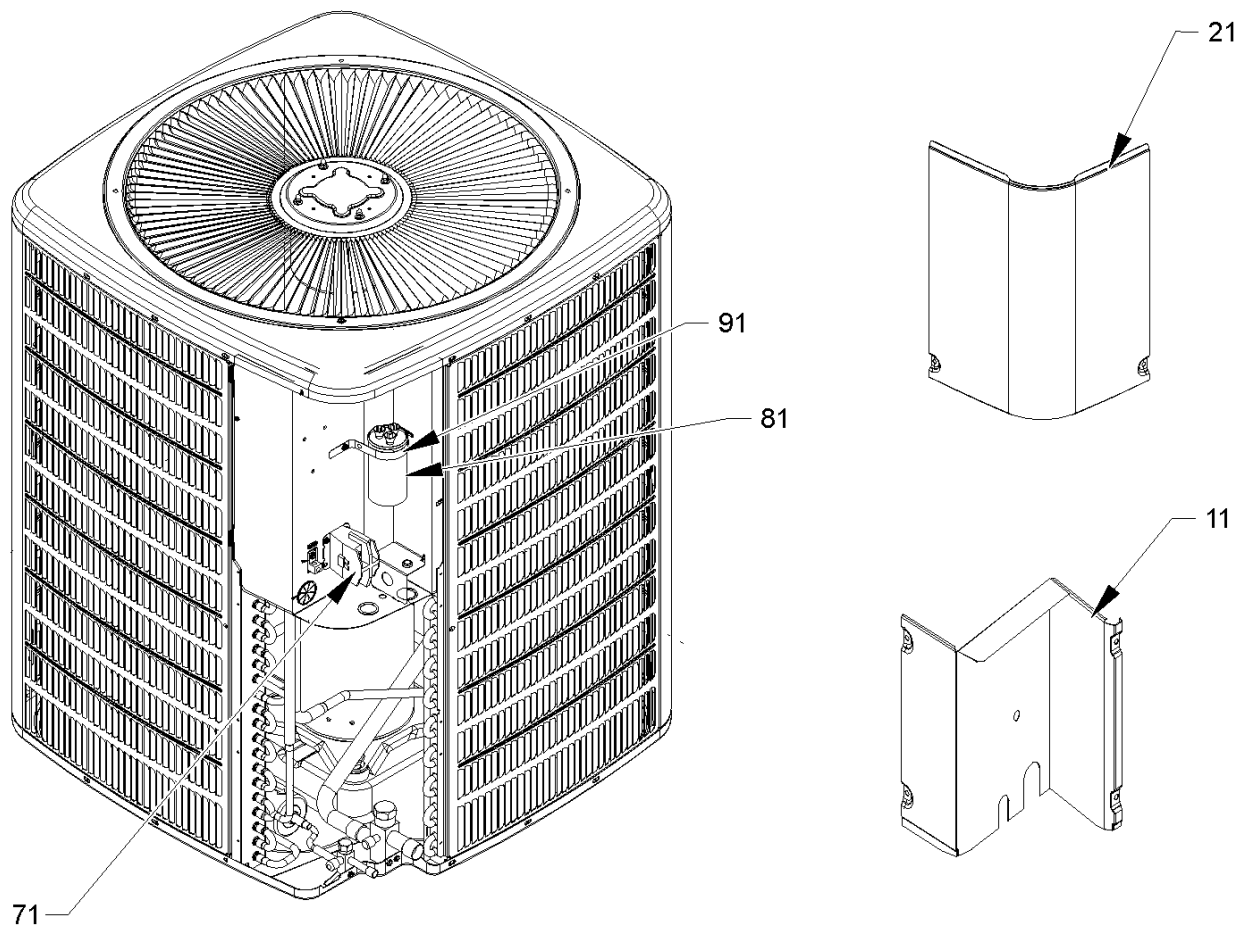
SPECIAL PARTS

0161R00009P NAMEPLATE

Expanded Model Nomenclature

M1 - GSC130181BB
M2 - GSC130181DA
M3 - GSC130181FA
M4 - GSC130241DB
M5 - GSC130241EA
M6 - GSC130241FA
M7 - GSC130301DB
M8 - GSC130301EA
M9 - GSC130301EB
M10 - GSC130361FB
M11 - GSC130361GA
M12 - GSC130363BB
M13 - GSC130363BC
M14 - GSC130421BB
M15 - GSC130481BB
M16 - GSC130483BB
M17 - GSC130601CB
M18 - GSC130603BB

Control Cover/Control Box



Control Cover/Control Box

Ref. Part No:	Ref. Part No:	Description:	Description:
---------------	---------------	--------------	--------------

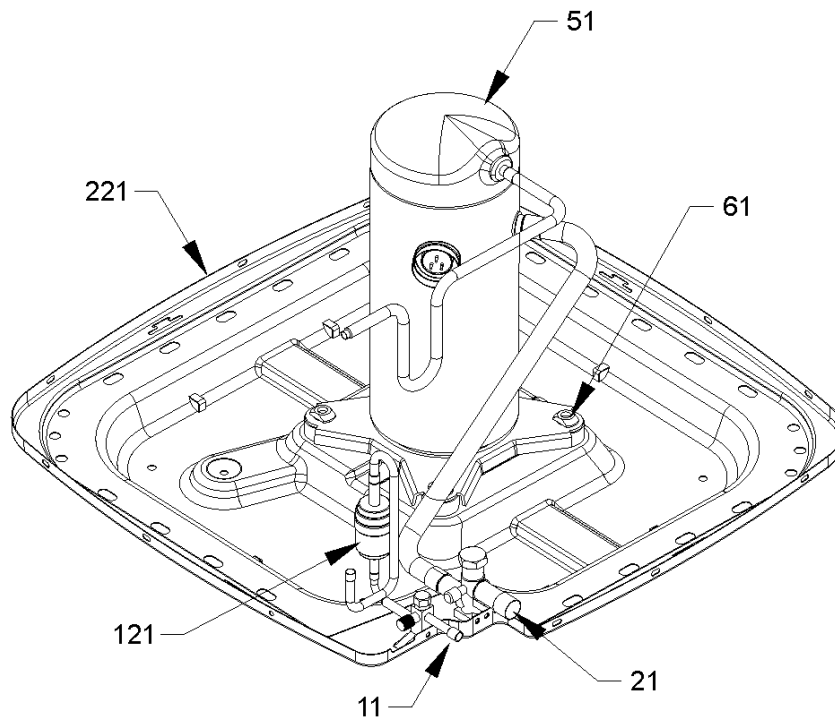
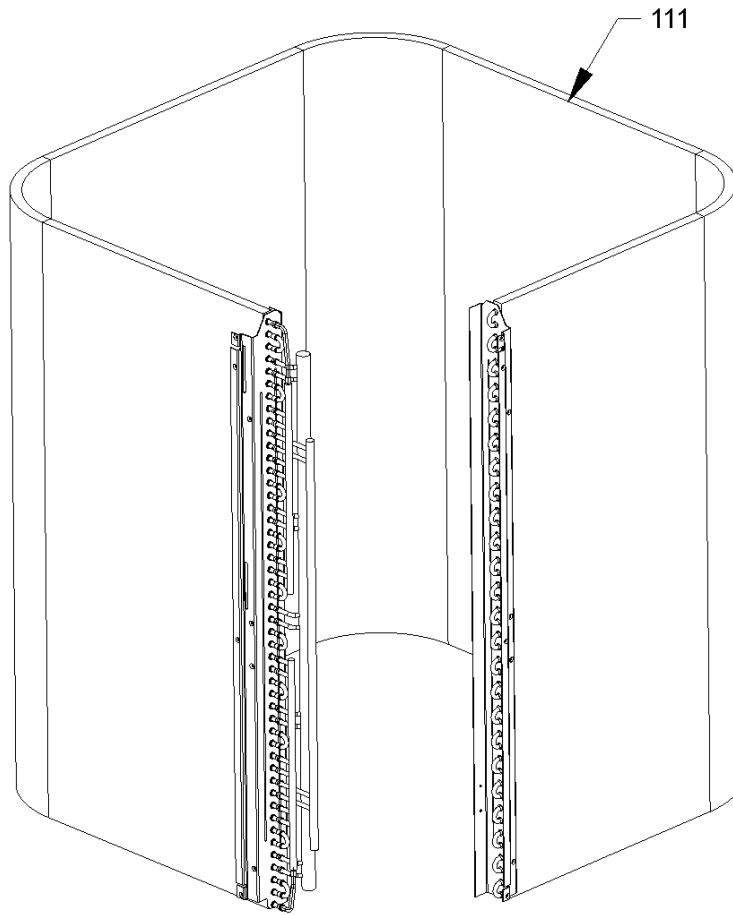
Image 1:

11	0121R00265PDG	LOWER ACCESS PANEL (M3, M6)
11	0121R00316PDG	LOWER ACCESS PANEL (M17, M18)
11	0121R00319PDG	LOWER ACCESS PANEL (M15, M16)
11	0121R00322PDG	LOWER ACCESS PANEL (M7, M8, M9, M10, M11, M12, M13, M14)
11	0121R00326PDG	LOWER ACCESS PANEL (M1, M2, M4, M5)
21	0121R00053PDG	CONTROL COVER (M1, M2, M4, M5, M7, M8, M9, M10, M11, M12, M13, M14, M15, M16, M17, M18)
21	0121R00268PDG	CONTROL COVER (M3, M6)
71	CONT1P025024V	CONTACTOR 25 AMP, 1P, 24V (M3, M6)
71	CONT1P025024V	CONTACTOR 25 AMP, 1P, 24V (M1, M2, M4, M5, M7, M8, M9, M10, M11, M14, M15)
71	CONT3P025024V	CONTACTOR 25 AMP, 3P, 24V (M12, M13, M16, M18)
71	CONT1P030024V	CONTACTOR 30 AMP, 1P, 24V (M17)
81	CAP050350440RS	CAPACITOR 5/35/440V (M1, M2, M3, M4, M5, M6, M10)
81	CAP050000370VA	CAPACITOR 5/370V (M12, M13, M16, M18)
81	CAP050400440RT	CAPACITOR 5/40/440V (M7, M8, M9, M11)
81	CAP050550440RT	CAPACITOR 5/55/440V (M14, M15)
81	CAP050600440RT	CAPACITOR 5/60/440V (M17)
91	4400065	CAPACITOR STRAP (M1, M2, M4, M5, M7, M8, M9, M10, M11, M12, M13, M14, M15, M16, M17, M18)

Expanded Model Nomenclature

M1 - GSC130181BB
M2 - GSC130181DA
M3 - GSC130181FA
M4 - GSC130241DB
M5 - GSC130241EA
M6 - GSC130241FA
M7 - GSC130301DB
M8 - GSC130301EA
M9 - GSC130301EB
M10 - GSC130361FB
M11 - GSC130361GA
M12 - GSC130363BB
M13 - GSC130363BC
M14 - GSC130421BB
M15 - GSC130481BB
M16 - GSC130483BB
M17 - GSC130601CB
M18 - GSC130603BB

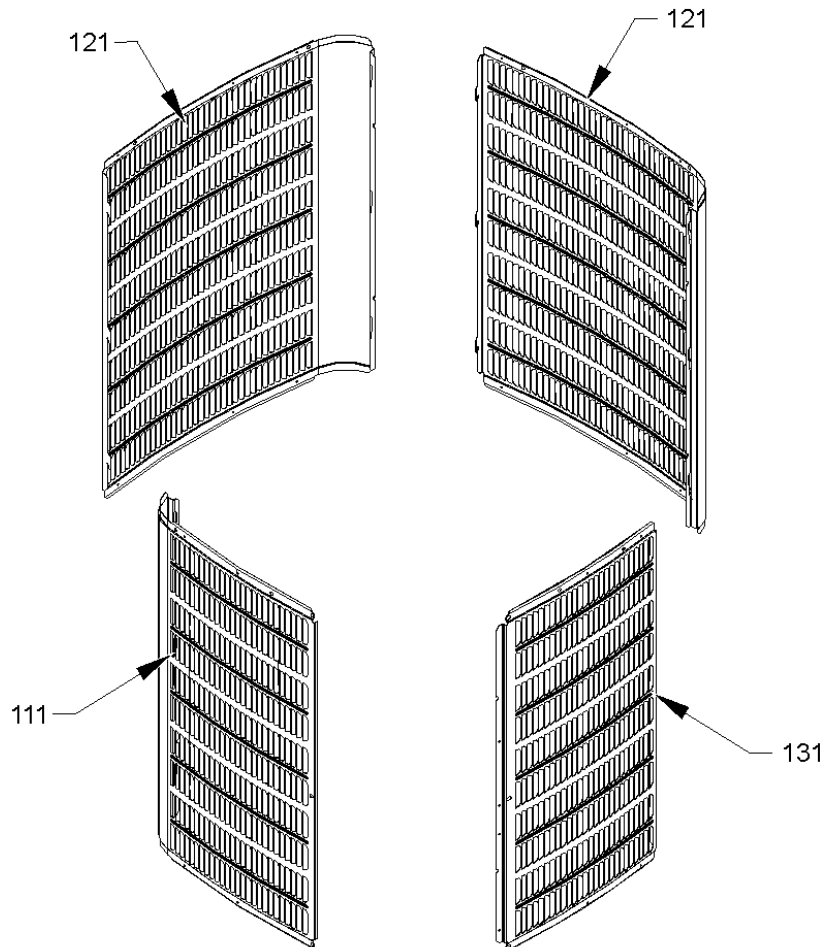
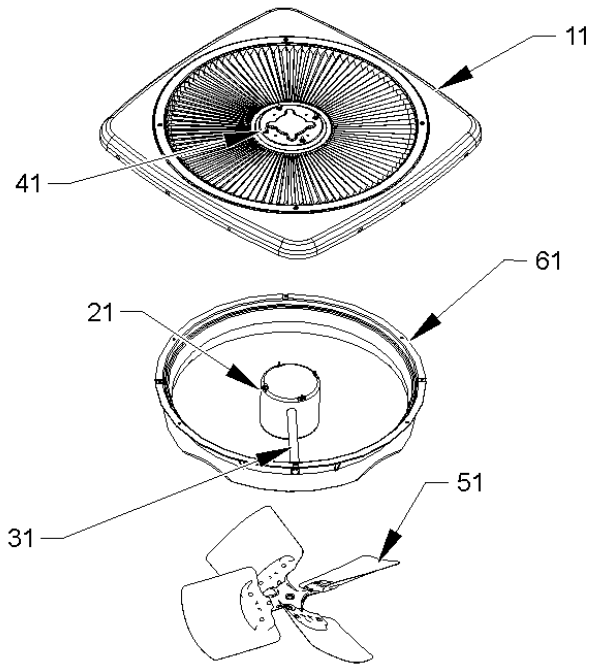
Coil/Compressor/Tubing Assembly



Coil/Compressor/Tubing Assembly

Ref. Part No:	No:	Description:	Ref. Part No:	No:	Description:
<i>Image 1:</i>			<i>Image 1:</i>		
11	B12825171	3/8" SERVICE VALVE	NS	B1789893	FLOW CHECK PISTON KIT .093 (M17, M18)
21	0151R00032	VALVE, BASE 3/4" OPEN LEFT (M1, M2, M3, M4, M5, M6, M7, M8, M9, M10, M11, M12, M13)	NS	M0221641	TF SHOULDER SCREW (QTY 4)
21	0151R00033	VALVE, BASE 7/8" OPEN LEFT (M14, M15, M16, M17, M18)	Expanded Model Nomenclature		
51	730027-2001-10	BRISTOL COMPRESSOR (M3)	<div style="border: 1px solid black; padding: 5px;"> M1 - GSC130181BB M2 - GSC130181DA M3 - GSC130181FA M4 - GSC130241DB M5 - GSC130241EA M6 - GSC130241FA M7 - GSC130301DB M8 - GSC130301EA M9 - GSC130301EB M10 - GSC130361FB M11 - GSC130361GA M12 - GSC130363BB M13 - GSC130363BC M14 - GSC130421BB M15 - GSC130481BB M16 - GSC130483BB M17 - GSC130601CB M18 - GSC130603BB </div>		
51	730027-2001-10	BRISTOL COMPRESSOR (M2)			
51	730030-2001-10	BRISTOL COMPRESSOR (M5)			
51	730049-2001-10	BRISTOL COMPRESSOR (M11)			
51	ZR25K5PFV100	COMP, 25300, 208/230/60/1 (M8, M9)			
51	ZR21K5PFV100	COMP,21000,208/230/60/1 (M6)			
51	CR28K7TF5230	COMP,28000,200/230/60/3 (M12)			
51	ZR28K5TF5130	COMP,28400,200/230/60/3 (M13)			
51	ZR42K5TF5800	COMP,40600,208/230/60/3 (M16)			
51	CR14K7PFV230	COMPRESSOR 14100, 208/230/60/1 (M1)			
51	CR18K7PFV230	COMPRESSOR 17500, 208/230/60/1 (M4)			
51	CR23K7PFV230	COMPRESSOR 22600, 208/230/60/1 (M7)			
51	CR28K7PFV230	COMPRESSOR 28300, 208/230/60/1 (M10)			
51	ZR38KAPFV130	COMPRESSOR 38000, 208/230/60/1 (M14)			
51	ZR40K3PFV230	COMPRESSOR 40600, 208/230/60/1 (M15)			
51	ZR48K3TF5235	COMPRESSOR 49100, 200/230/60/3 (M18)			
51	ZR48K3PFV235	COMPRESSOR 49800, 208/230/60/1 (M17)			
61	B1339530	COMPRESSOR GROMMET (M1, M4, M7, M10, M12, M13)			
61	B1339533	COMPRESSOR GROMMET (M2, M5, M8, M9, M11, M14, M15, M16, M17, M18)			
111	0201R00177	TUBING ASSY, COND COIL (M1, M2, M4, M5)			
111	0201R00232	TUBING ASSY, COND COIL (M7, M8, M9)			
111	0201R00238	TUBING ASSY, COND COIL (M10, M11, M12, M13)			
111	0201R00249	TUBING ASSY, COND COIL (M15, M16)			
111	0201R00262	TUBING ASSY, COND COIL (M17, M18)			
111	0201R00278	TUBING ASSY, COND COIL (M14)			
111	0201R00390	TUBING ASSY, COND COIL (M3, M6)			
121	B1219225	SINGLE-FLOW FILTER DRIER, STEEL			
221	0121R00005PDG	BASE PAN 26" (M1, M2, M4, M5, M7, M8, M9)			
221	0121R00006PDG	BASE PAN 29" (M10, M11, M12, M13, M14, M15, M16, M17, M18)			
221	0121R00272PDG	BASE PAN, 23" (M3, M6)			
NS	0159R00000P	COMPRESSOR SCROLL HARNESS (M6, M8, M9)			
NS	0159R00002P	COMPRESSOR SCROLL HARNESS (M14)			
NS	B1789855	FLOW CHECK PISTON KIT .055 (M1, M2, M3)			
NS	B1789861	FLOW CHECK PISTON KIT .061 (M6)			
NS	B1789865	FLOW CHECK PISTON KIT .065 (M9)			
NS	B1789871	FLOW CHECK PISTON KIT .071 (M13)			
NS	B1789874	FLOW CHECK PISTON KIT .074 (M11, M12)			
NS	B1789884	FLOW CHECK PISTON KIT .084 (M14)			
NS	B1789888	FLOW CHECK PISTON KIT .088 (M15, M16)			

Cabinet Top/Side Panels



Cabinet Top/Side Panels

Ref. Part No:	No:	Description:	Ref. Part No:	No:	Description:																		
<i>Image 1:</i>			<i>Image 1:</i>																				
11	0121R00270PDG	PANEL, TOP, PNT DG (M3, M6)	131	0121R00173PDG	LOUVERED SIDE PANEL [RT OF CNTL PNL] (M7, M8, M9)																		
11	0121R00008PDG	TOP PANEL 26" (M1, M2, M4, M5, M7, M8, M9)	NS	0161R00009P	NAMEPLATE																		
11	0121R00010PDG	TOP PANEL 29" (M10, M11, M12, M13, M14, M15, M16, M17, M18)	Expanded Model Nomenclature																				
21	0131M00018P	COND MOTOR 1/4 HP, 1 SP, 6 PL (M13, M14, M15, M16, M17, M18)	<table border="1"> <tr><td>M1 - GSC130181BB</td></tr> <tr><td>M2 - GSC130181DA</td></tr> <tr><td>M3 - GSC130181FA</td></tr> <tr><td>M4 - GSC130241DB</td></tr> <tr><td>M5 - GSC130241EA</td></tr> <tr><td>M6 - GSC130241FA</td></tr> <tr><td>M7 - GSC130301DB</td></tr> <tr><td>M8 - GSC130301EA</td></tr> <tr><td>M9 - GSC130301EB</td></tr> <tr><td>M10 - GSC130361FB</td></tr> <tr><td>M11 - GSC130361GA</td></tr> <tr><td>M12 - GSC130363BB</td></tr> <tr><td>M13 - GSC130363BC</td></tr> <tr><td>M14 - GSC130421BB</td></tr> <tr><td>M15 - GSC130481BB</td></tr> <tr><td>M16 - GSC130483BB</td></tr> <tr><td>M17 - GSC130601CB</td></tr> <tr><td>M18 - GSC130603BB</td></tr> </table>			M1 - GSC130181BB	M2 - GSC130181DA	M3 - GSC130181FA	M4 - GSC130241DB	M5 - GSC130241EA	M6 - GSC130241FA	M7 - GSC130301DB	M8 - GSC130301EA	M9 - GSC130301EB	M10 - GSC130361FB	M11 - GSC130361GA	M12 - GSC130363BB	M13 - GSC130363BC	M14 - GSC130421BB	M15 - GSC130481BB	M16 - GSC130483BB	M17 - GSC130601CB	M18 - GSC130603BB
M1 - GSC130181BB																							
M2 - GSC130181DA																							
M3 - GSC130181FA																							
M4 - GSC130241DB																							
M5 - GSC130241EA																							
M6 - GSC130241FA																							
M7 - GSC130301DB																							
M8 - GSC130301EA																							
M9 - GSC130301EB																							
M10 - GSC130361FB																							
M11 - GSC130361GA																							
M12 - GSC130363BB																							
M13 - GSC130363BC																							
M14 - GSC130421BB																							
M15 - GSC130481BB																							
M16 - GSC130483BB																							
M17 - GSC130601CB																							
M18 - GSC130603BB																							
21	0131M00016P	COND MOTOR 1/6 HP, 1 SP, 8 PL (M10, M11, M12)																					
21	0131M00276	COND MOTOR, 1/8 HP, ISP, 6PL (M3, M6, M9)																					
21	0131M00266	COND MOTOT 1/8 HP 8 PL PSC (M1, M2, M4, M5, M7, M8)																					
31	0161R00001P	CONDUIT (M1, M2, M4, M5, M7, M8, M9)																					
31	0161R00002P	CONDUIT (M10, M11, M12, M13, M14, M15, M16, M17, M18)																					
31	B1778800	PVC CONDUIT-1/2" (M3, M6)																					
41	0163M00006P	ACORN NUT 5/16 HEX BLACK (QTY 4)																					
51	0150M00018	FAN BLADE 20" (M5)																					
51	0150M00012	FAN BLADE 20" CCW (M1, M2, M4, M7, M8)																					
51	B1086775	FAN BLADE 22" (M14, M15, M16)																					
51	0150M00008	FAN BLADE 22" TNT2203-25 (M10, M12)																					
51	B1086750	FAN BLADE 22", 3 BLADE, 24° (M13, M17, M18)																					
51	B1086764	FAN BLADE TYPE 2 (M11)																					
51	0150M00030	FAN BLADE, 18" (M3, M6)																					
51	0150M00033	FAN BLADE, 20", 3 BLADE, 24DEG (M9)																					
61	0161L00000	VENTURI RING 22" (M10, M11, M12, M13, M14, M15, M16, M17, M18)																					
111	0121R00175PDGB	LOUVERED SIDE PANEL (M17, M18)																					
111	0121R00102PDGB	LOUVERED SIDE PANEL [LT OF CNTL PNL] (M1, M2, M4, M5)																					
111	0121R00125PDGB	LOUVERED SIDE PANEL [LT OF CNTL PNL] (M10, M11, M12, M13, M14)																					
111	0121R00127PDGB	LOUVERED SIDE PANEL [LT OF CNTL PNL] (M15, M16)																					
111	0121R00171PDGB	LOUVERED SIDE PANEL [LT OF CNTL PNL] (M7, M8, M9)																					
111	0121R00280PDG	LOUVERED SIDE PANEL[LT OF CNTL PNL] (M3, M6)																					
121	0121R00109PDGB	LOUVERED SIDE PANEL (M1, M2, M4, M5)																					
121	0121R00132PDGB	LOUVERED SIDE PANEL (M10, M11, M12, M13, M14)																					
121	0121R00134PDGB	LOUVERED SIDE PANEL (M15, M16)																					
121	0121R00172PDGB	LOUVERED SIDE PANEL (M7, M8, M9)																					
121	0121R00176PDGB	LOUVERED SIDE PANEL (M17, M18)																					
121	0121R00274PDGB	LOUVERED SIDE PANEL (M3, M6)																					
131	0121R00177PDGB	LOUVERED SIDE PANEL (M17, M18)																					
131	0121R00139PDGB	LOUVERED SIDE PANEL [RT OF CNTL PNL] (M10, M11, M12, M13, M14)																					
131	0121R00116PDG	LOUVERED SIDE PANEL [RT OF CNTL PNL] (M1, M2, M4, M5)																					
131	0121R00141PDG	LOUVERED SIDE PANEL [RT OF CNTL PNL] (M15, M16)																					