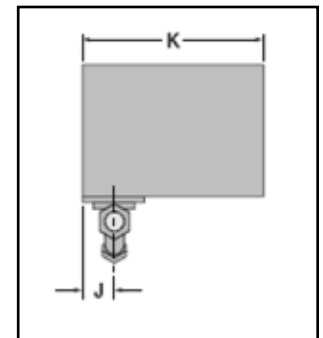
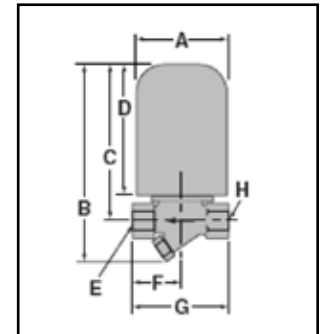


## Water Feeders – Electronic

### Series WFE Uni-Match®



- Field-adjustable dwell-feed cycles
- Multi-color LED status indicator
- Manual feed button
- Hard-stop limit to minimize chances of flooding the boiler
- Compatible with all electronic & mechanical Low Water Cut-Offs
- Includes adaptors for connection to ½” copper tubing
- Removable strainer (replace after cleaning)
- Maximum water pressure 150 psi (10.5 kg/cm<sup>2</sup>)
- Maximum boiler pressure 15 psi (1 kg/cm<sup>2</sup>)
- Maximum water temperature 120°F (49°C)
- Maximum ambient temperature 100°F (38°C)
- Maximum power consumption (during feed cycle)
  - 15 VA @ 24VAC
  - 20 VA @ 120 VAC (50 or 60 Hz)



### Dimensions, in. (mm)

A	B	C	D	E NPT	F	G	H NPT	J	K
2 <sup>7</sup> / <sub>8</sub> (73)	6 <sup>1</sup> / <sub>4</sub> (159)	4 <sup>7</sup> / <sub>8</sub> (124)	4 <sup>1</sup> / <sub>4</sub> (108)	<sup>3</sup> / <sub>8</sub>	1 <sup>17</sup> / <sub>32</sub> (39)	3 <sup>1</sup> / <sub>16</sub> (78)	<sup>3</sup> / <sub>8</sub>	1 <sup>1</sup> / <sub>32</sub> (26)	5 <sup>13</sup> / <sub>16</sub> (148)

### Ordering Information

Model Number	Part Number	Description	Weight lbs. (kg)
WFE-24	169550	Electric Water Feeder, 24V	2.8 (1.3)
WFE-120	169560	Electric Water Feeder, 120V	2.8 (1.3)

