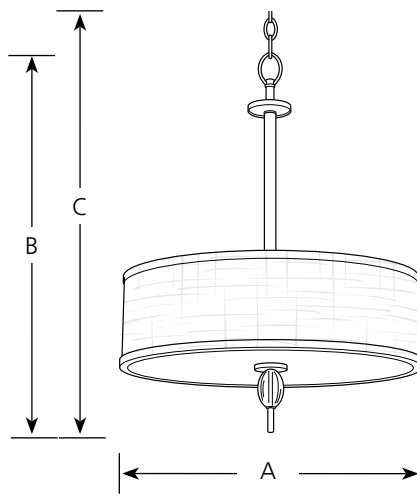


Type \_\_\_\_\_

-15

P3680

Catalog No.	Finish		Lamping	Dimensions (Inches)		
	Polished Chrome			A	B	C
P3680	-15		4-100w (m)	22	28-7/16	103-5/8



**Specifications:**

General

- White fabric shade
- Etched glass diffuser
- K9 glass accent
- Plated Polished Chrome (-15) finish
- Steel construction
- Six feet of 9 gauge chain included
- Companion Bath and Vanity, Chandelier, Close-to-ceiling, Hall and Foyer, Pendant, fixtures are available

Mounting

- Ceiling chain mount
- Canopy covers a standard 4" hexagonal recessed outlet box
- Mounting strap for outlet box included

Electrical

- Medium base ceramic sockets
- 15 feet of wire supplied
- Pre-wired

Labeling

- cCSAus Dry location listed