



Incandescent

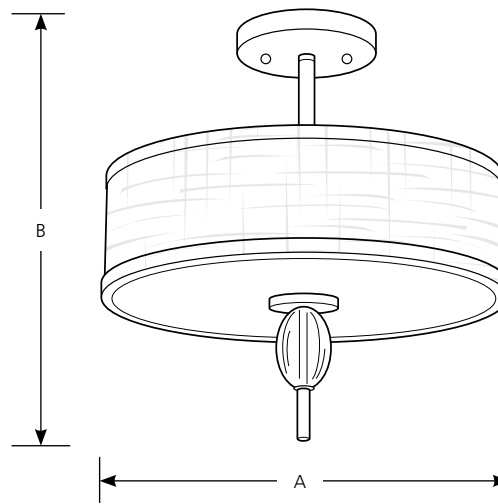
Status

Close-To-Ceiling

Type _____
-15

P3495

Catalog No.	Finish		Lamping	Dimensions (Inches)	
	Polished Chrome			A	B
P3495	-15		2 (m) 100w	13	13-5/8



Specifications:

General

- White textured linen fabric shade
- Etched glass diffuser
- K9 glass assembly with chrome finial
- Plated Polished Chrome (-15) finish
- Steel construction
- Companion Bath and Vanity, Chandelier, Hall and Foyer, Pendant, fixtures are available

Electrical

- Medium base ceramic sockets
- 6" of wire supplied
- Pre-wired

Labeling

- UL-CUL dry location listed

Mounting

- Ceiling semi-flush mount
- Canopy covers a standard 4" hexagonal recessed outlet box: 4-7/8" dia.
- Mounting strap for outlet box included

Progress Lighting
701 Millennium Blvd.
Greenville, South Carolina
29607

www.progresslighting.com

Rev. 07/14