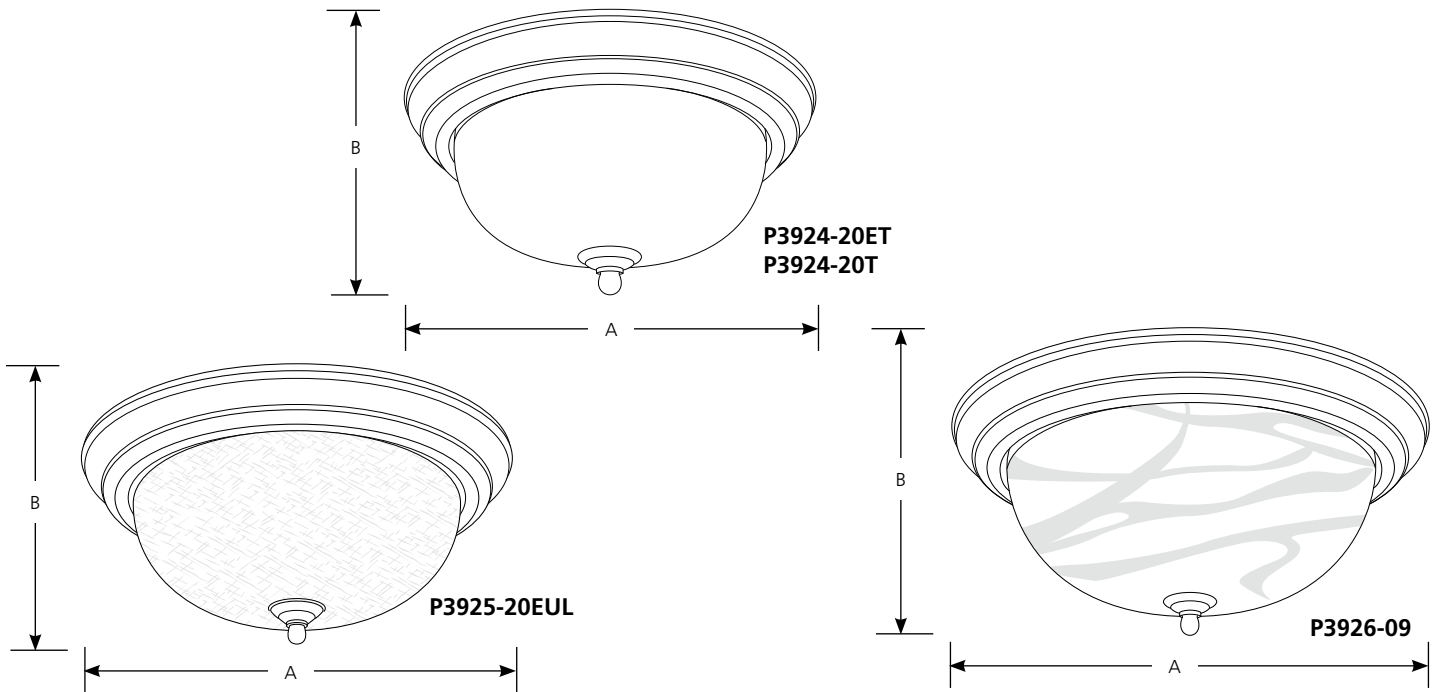


	Type						
	-09	-09ET	-20	-20ET	-20EUL	-20T	-30
P3924	<input type="checkbox"/>	<input type="checkbox"/>	<input type="checkbox"/>	<input type="checkbox"/>	<input type="checkbox"/>	<input type="checkbox"/>	<input type="checkbox"/>
P3925	<input type="checkbox"/>	<input type="checkbox"/>	<input type="checkbox"/>	<input type="checkbox"/>	<input type="checkbox"/>	<input type="checkbox"/>	<input type="checkbox"/>
P3926	<input type="checkbox"/>	<input type="checkbox"/>	<input type="checkbox"/>	<input type="checkbox"/>	<input type="checkbox"/>	<input type="checkbox"/>	<input type="checkbox"/>

Catalog No.	Finish							Lamping	Dimensions (Inches)	
	Brushed Nickel	Brushed Nickel	Antique Bronze	Antique Bronze	Antique Bronze	Antique Bronze	White		A	B
	P3924	-09	-09ET	-20	-20ET	-20EUL	-20T		-30	1 (m) 60w
P3925	-09	-09ET	-20	-20ET	-20EUL	-20T	-30	2 (m) 75w	13-1/4	5-7/8
P3926	-09	-09ET	-20	-20ET	-20EUL	-20T	-30	3 (m) 60w	15-1/4	6-5/8



Specifications:

General

- Alabaster glass (-09, -20, -30), Etched glass (-09ET, -20ET), Etched Umber Linen glass (-20EUL), Etched light topaz glass (-20T)
- Dome shaped glass with solid trim and decorative knobs
- Center lock up with matching finial
- Flared ceiling pan
- Plated Brushed Nickel (-09, -09ET) finish
- Painted Antique Bronze (-20, -20ET, -20EUL, -20T), White (-30) finishes
- Steel construction

Mounting

- Ceiling flush mount
- Ceiling pan covers a standard 4" hexagonal recessed outlet box
- Mounting strap for outlet box included

Electrical

- Medium base ceramic socket
- Pre-wired

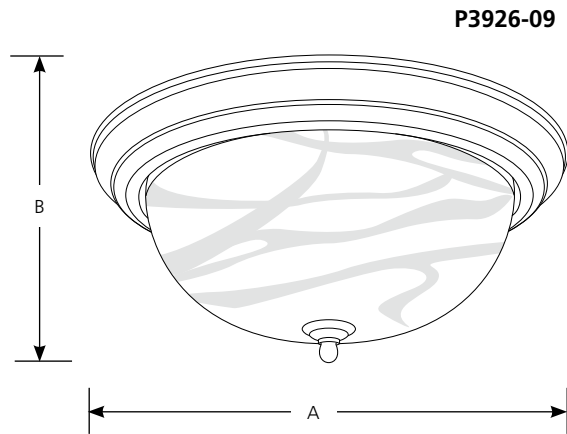
Labeling

- UL-CUL Damp location listed (P3924, P3926)
- cCSAus Damp location listed (P3925)

Type _____
 -09EB -20EB

P3924	<input type="checkbox"/>	<input type="checkbox"/>
P3925	<input type="checkbox"/>	<input type="checkbox"/>
P3926	<input type="checkbox"/>	<input type="checkbox"/>

Catalog No.	Finish		Lamping	Dimensions (Inches)	
	Brushed Nickel	Antique Bronze		A	B
P3924	-09EB	-20EB	1-13w GU-24	11-3/8	5-1/2
P3925	-09EB	-20EB	2-18w GU-24	13-1/4	5-7/8
P3926	-09EB	-20EB	3-18w GU-24	15-1/4	6-5/8



Specifications:

General

- Alabaster glass (-09EB, -20EB)
- Dome shaped glass with solid trim and decorative knobs
- Center lock up with matching finial
- Flared ceiling pan
- Plated Brushed Nickel (-09EB) finish
- Painted Antique Bronze (-20EB) finish
- Steel construction

Electrical

- GU24 base socket
- Pre-wired

Labeling

- cCSAus Damp location listed

Mounting

- Ceiling flush mount
- ceiling pan covers a standard 4" hexagonal recessed outlet box
- Mounting strap for outlet box included