

After installation:

1. Test the faucet for leaks.

Test the pop-up escutcheon for leaks with the water running.

Care and Maintenance: After use, wipe down with a soft, dry cloth.

For all chrome plated surfaces clean this product with warm soapy water and then dry with a dry soft cloth.

Nickel plated, satin and Inca brass finishes should be cleaned with a soft cloth and warm water. Then dry with a dry soft cloth.

Do not use cream cleaners or cleaning agents containing a corrosive acid or scouring agent including: Softscrub, Comet, Ajax and Bonami, as these may damage the surface of the faucet.

Do not use any spray cleaners with ammonia or alcohol like Windex, 409 or Fantastik.

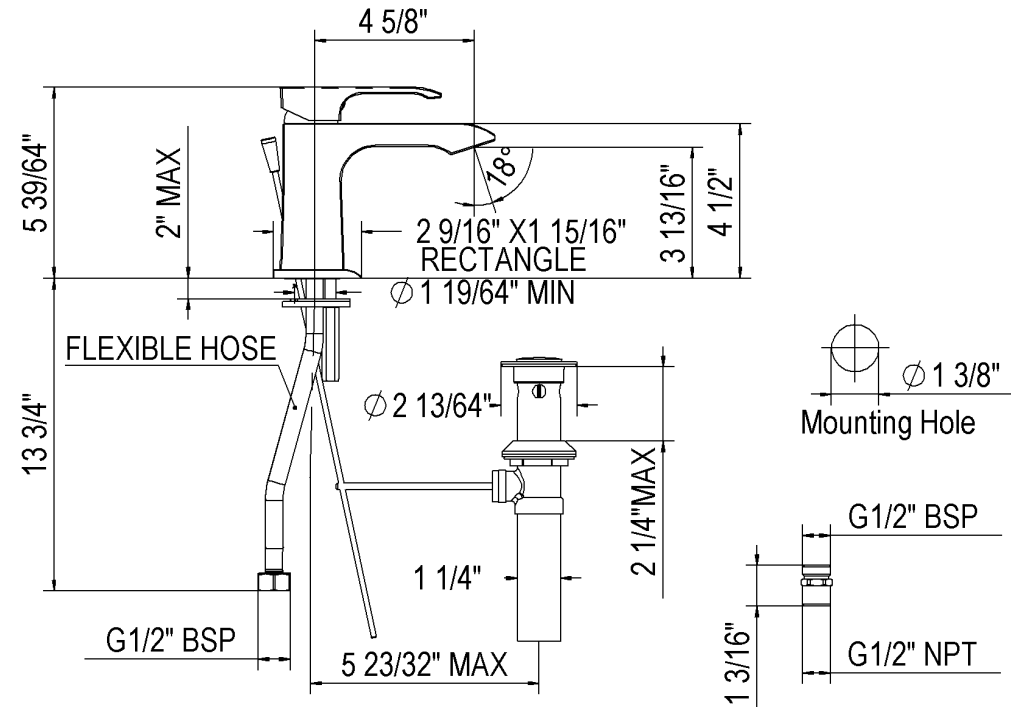
Any use of unsuitable cleaning agents causing damage to the surface will not be covered by the warranty.

WARRANTY: Warranty is limited lifetime. See ROHL website for details. (www.rohlhome.com)

A basic in-line filter system is required for the house to protect any debris from entering the water supply line to the house (i.e. due to construction or service work on the street water main).

ROHL CASWELL SINGLE LEVER LAVATORY FAUCET

CA2201LMAPC-2, CA2201LMPN-2, CA2201LMSTN-2
INSTALLATION INSTRUCTIONS



Please leave instructions with the home owner once installed.

SYSTEM REQUIREMENTS

To ensure the optimum performance and customer satisfaction, please adhere to the following:

Flush out all pipe work prior to installation.

Maximum operating pressure 75psi

NOTE: Pressures over 75psi will require that the house have a pressure regulator installed to limit the pressure below 75psi.

Maximum hot water temperature 145°F

If the water temperature exceeds 145°F an approved tempering valve must be fitted.

Maximum flow rate limited to 1.5 US gallons/minute at 60psi flow pressure.

ROHL
Authentic Luxury for Kitchen and Bath®

ROHL LLC 3 Parker, Irvine, CA 92618
714-557-1933 www.rohlhome.com

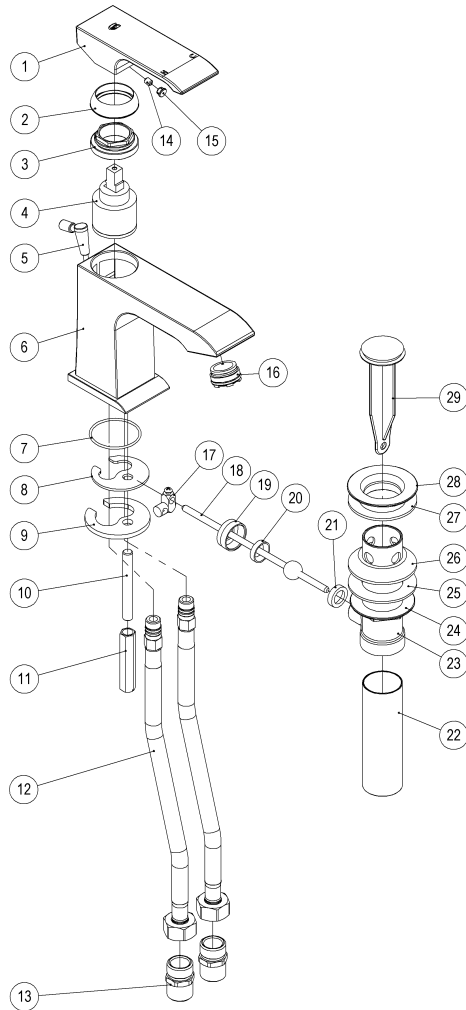
#12345 01/14

Installation Instructions

Flush out all pipework to remove any foreign material.

Installing Faucet: (1 3/8 cut-out)

1. Remove ONE of the hoses #12 by unscrewing counter-clockwise.
2. Remove mounting parts #8, #9 and #11 from faucet.
3. Check mounting stud #10 is tight in faucet.
4. Lower fitted flexi hose connected to the faucet into bench top until nut end of hose is below the deck and lay faucet on top of the deck.
5. From below the deck:
 - a. Feed the other flexi hose #12 through the mounting hole.
 - b. Hand tighten flexi hose into the open inlet of faucet.
 - c. Ensure the base o-ring #7 is in place.
 - i. Note: Additional sealing, water proof, silicone may be needed to make a seal under the faucet if the mounting surface or hole is uneven. (Not included.)
6. Install the crescent rubber washer #8, the crescent steel washer #9 and the threaded nut #11 from below the deck.
 - a. Position the faucet and tighten threaded nut #11 with the tool supplied.
 - b. Do not over tighten.
7. Install the adaptors #13 to flexi hoses #12 and make the connection to the supply lines.
 - a. **Turn the nut and not the hose.** Twisting the hose may cause damage, or low flow.
 - b. **Do not over tighten.**
 - c. The flexi hoses should have a radius of no less than (3 11/32in).



1	LEVER
2	ESCUTCHEON
3	CARTRIDGE NUT
4	CARTRIDGE - 35MM #261914
5	POP-UP WASTE ROD
6	BODY
7	'O' RING
8	CRESCENT RUBBER WASHER
9	CRESCENT STEEL WASHER
10	MOUNTING STUDS
11	THREADED NUT - M8
12	M10-G1/2" HOSE
13	1/2" BSP- 1/2" NPT ADAPTOR
14	GRUB SCREW - M5
15	CHROME BUTTON
16	AERATOR - #42620
17	BRASS CONNECTOR
18	JUMPER POLE
19	KNURLED CAP NUT
20	BREARING WASHER
21	BREARING WASHER
22	TAIL TUBE
23	POP-UP WASTE BODY
24	MOUNTING NUT
25	PLASTIC FRICTION WASHER
26	CONE WASHER
27	UPPER RUBBER WASHER
28	POP-UP ESCUTCHEON
29	JUMPER

Installing the Pop-up Escutcheon:

1. Remove the upper deck assembly #27 through #29 from the threaded pop-up waste body #23.
 - a. Adjust the cone washer #26, plastic friction washer #25 and mounting nut #24 and install the assembly from the below the sink.
 - b. Install the pop-up escutcheon #28 with the rubber washer #27 from above the sink.
 - i. Note: Sealing, water proof, silicone may be needed to make a seal in the sink. (Not included.)
2. Tighten the cone washer #26, plastic friction washer #25 and mounting nut #24.

Do not over tighten.
3. Install the horizontal pop-up rod into the washer fitting.
 - a. Note: the knurled cap nut #19 has a two-piece plastic seal #20 and #21 for the horizontal pop-up rod ball fitting. Install the ball in-between the two pieces #20 and #21 and tighten.

Do not over tighten. Over tightening may cause a stiff pop-up rod assembly.
4. Install the decorative vertical pop-up rod #5 to faucet and connect to the horizontal pop-up rod using the brass connector #17.