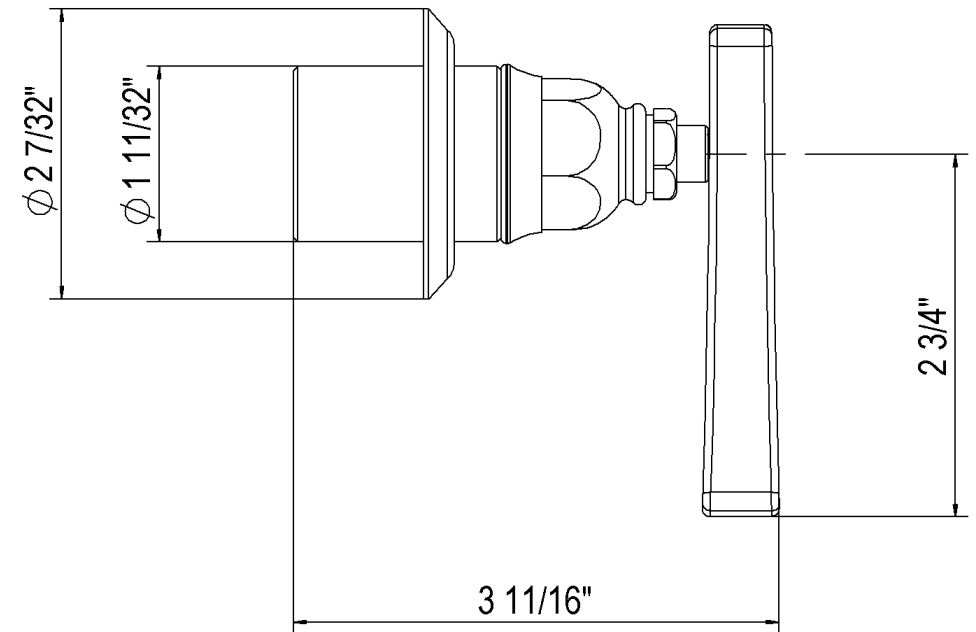


ROHL MATHESON VOLUME CONTROL AND DIVERTER VALVE TRIM SETS

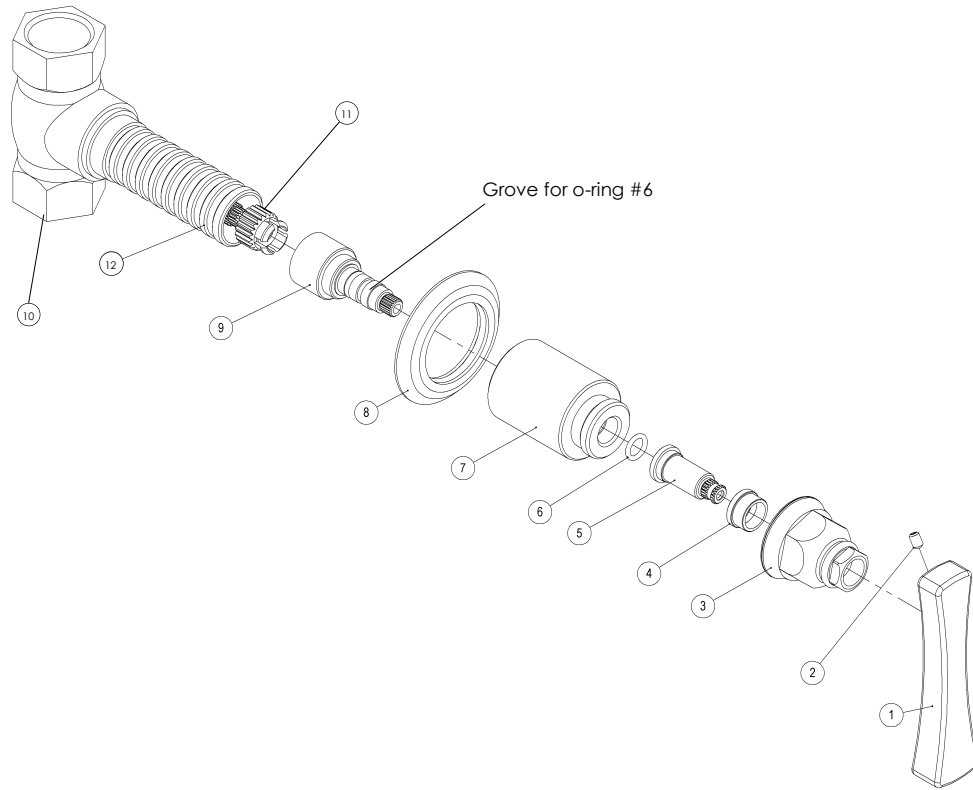
ML2019LMAPCTO, ML2019LMPNTO, ML2019LMSTNTO

For Volume Control Rough Valve R1040R and
Diverter Valve R1062BO

INSTALLATION INSTRUCTIONS



Please leave instructions with the home owner once installed.



1	LEVER
2	GRUB SCREW
3	TRIM NUT
4	PLASTIC BEARING SLEEVE
5	SPINDLE
6	'O'RING
7	SLEEVE
8	ESCUTCHEON
9	SPINDLE ADAPTER
10	VOLUME CONTROL VALVE - NOT INCLUDED
11	R30083
12	R3-056
13	DIVERTER VALVE (NOT SHOWN)

Installation Instructions

Attention Installer: the trim kit is assembled at the factory. The only loose part is the sliding escutcheon, #8.

An exploded view is provided if there are parts that are needed in the future.

Please ensure the threads on the cartridge rough are clean, and screw the assembly onto the rough.

Please note: if the assembly is not fully secured, the lever might appear loose. Make sure the assembly is secure.

The black plastic adaptor #11 on the rough is delivered with the rough. If you need a spare, order R30083.

The extension kit #12 is included with rough. If additional extension is needed, order R3-056 ROHL 2 5/8" EXTENSION KIT.

Applying a small bead of silicone on the back of the escutcheon is recommended.

Care and Maintenance: After use, wipe down with a soft, dry cloth.

For all chrome plated surfaces clean this product with warm soapy water and then dry with a dry soft cloth.

Nickel plated, satin and Inca brass finishes should be cleaned with a soft cloth and warm water and then dried with a dry soft cloth.

Do not use cream cleaners or cleaning agents containing a corrosive acid or scouring agent including: Softscrub, Comet, Ajax and Bonami, as these may damage the surface of the faucet. Do not use any spray cleaners with ammonia or alcohol like Windex, 409 or Fantastik.

Any use of unsuitable cleaning agents causing damage to the surface will not be covered by the warranty.

WARRANTY: Warranty is limited lifetime. See ROHL website for details.

(www.rohlhome.com)

A basic in-line filter system is required for the house to protect any debris from entering the water supply line to the house (i.e. due to construction or service work on the street water main).