

PF92352



# Cast Iron Submersible Pumps

### Product Features

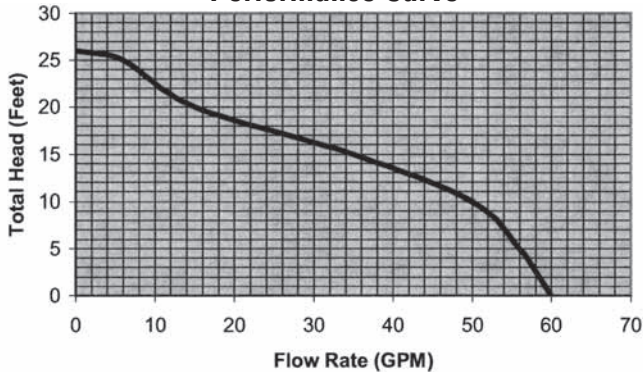
- 1/3 HP cast iron submersible sump pump with side discharge
- Submersible sump pump for typical residential and commercial applications
- Comes with 10' power cord
- 7.6 amps, 912 watts
- Maximum head of 25 feet
- Maximum flow rate of 60 GPM
- Permanent split capacitor motor
- SJE Rhombus vertical float switch
- 1750 RPM
- Liquid temperature range 32°-120°F
- Discharge size 1-1/2" FNPT
- Handles 1/2" solids



PF92352

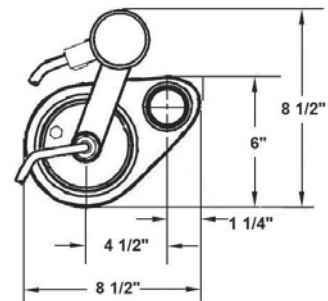
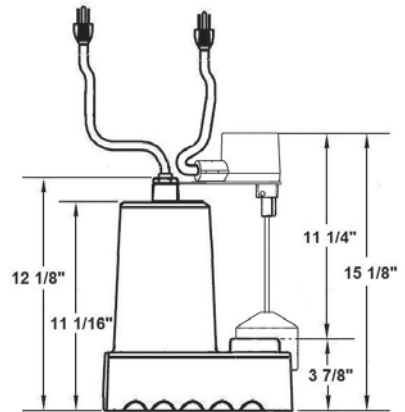
### Product Specifications

Performance Curve



Performance Chart

Discharge Height	0'	5'	10'	15'	20'	25'
Gallons per Minute	60	56	50	35	15	6
Gallons per Hour	3600	3360	3000	2100	900	360



### Warranty and Codes

This product comes complete with installation, operating, care and maintenance instructions. This PROFLO pump carries a 5-year limited warranty. In an effort to continually improve our products, we will make design changes from time to time. We reserve the right to ship newly designed products to fill any order unless we agree in writing to do otherwise.

**CALIFORNIA PROP 65 WARNING:** This product may contain chemicals known to the State of California to cause cancer, birth defects or other reproductive harm.  
**Wash Hands After Handling.**



Distributed Exclusively by Ferguson and Wolseley Canada