

B3132 - Two-Bolt Underground Clamp (TOLCO Fig. 9)

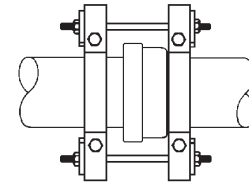
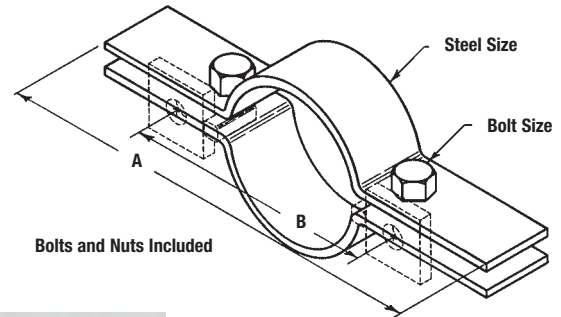
Size Range: 4" (100mm) thru 24" (600mm) pipe

Material: Steel

Function: Clamp is used for underground A.W.W.A. cast iron and ductile iron water pipe to prevent joints from separating. The O.D. of the A.W.W.A. pipe is shown in the data table.

Finish: Plain. Contact B-Line for alternative finishes and materials.

Order By: Part number, pipe size and outside diameter of pipe. Order B3132W lugs, tie rods and hex nuts separately.



Part No.	Pipe Size		A		B		Clamp I.D.		Steel Size		Bolt Size	Approx. Wt./100	
	in.	(mm)	in.	(mm)	in.	(mm)	in.	(mm)	in.	(mm)		Lbs.	(kg)
B3132-4	4"	(100)	12 ⁷ / ₈ "	(327.0)	9 ³ / ₄ "	(247.6)	5"	(127.0)	1/2" x 2"	(12.7 x 50.8)	5/8"-11 x 3"	864	(391.9)
B3132-6	6"	(150)	14 ³ / ₄ "	(374.6)	12"	(304.8)	7 ¹ / ₁₆ "	(179.4)	1/2" x 2"	(12.7 x 50.8)	5/8"-11 x 3"	1020	(462.6)
B3132-8	8"	(200)	17 ¹ / ₄ "	(438.1)	14 ¹ / ₄ "	(361.9)	9 ³ / ₁₆ "	(233.4)	1/2" x 2"	(12.7 x 50.8)	5/8"-11 x 3"	1222	(554.3)
B3132-10	10"	(250)	19 ³ / ₈ "	(492.1)	16 ¹ / ₂ "	(419.1)	11 ³ / ₈ "	(288.9)	1/2" x 2"	(12.7 x 50.8)	5/8"-11 x 3"	1409	(639.1)
B3132-12	12"	(300)	21 ⁷ / ₈ "	(555.6)	18 ⁷ / ₈ "	(479.4)	13 ¹ / ₂ "	(342.9)	1/2" x 2"	(12.7 x 50.8)	5/8"-11 x 3"	1608	(729.4)
B3132-14	14"	(350)	26"	(660.4)	22 ¹ / ₄ "	(565.1)	15 ³ / ₄ "	(400.0)	3/4" x 3"	(19.0 x 76.2)	7/8"-9 x 4 ¹ / ₂ "	4359	(1977.2)
B3132-16	16"	(400)	28 ³ / ₈ "	(720.7)	24 ⁵ / ₈ "	(625.5)	17 ⁷ / ₈ "	(454.0)	3/4" x 4"	(19.0 x 101.6)	1"-8 x 4 ¹ / ₂ "	6403	(2904.4)
B3132-18	18"	(450)	31 ³ / ₈ "	(796.9)	27 ⁵ / ₈ "	(701.7)	20"	(508.0)	3/4" x 4"	(19.0 x 101.6)	1 ¹ / ₄ "-7 x 5"	7293	(3308.1)
B3132-20	20"	(500)	33 ¹ / ₂ "	(850.9)	29 ³ / ₄ "	(755.6)	22 ¹ / ₈ "	(562.0)	3/4" x 4 ¹ / ₂ "	(19.0 x 114.3)	1 ¹ / ₄ "-7 x 5"	8778	(3981.7)
B3132-24	24"	(600)	39"	(990.6)	35 ¹ / ₄ "	(895.3)	26 ³ / ₈ "	(669.9)	3/4" x 5"	(19.0 x 127.0)	1 ¹ / ₄ "-6 x 5 ¹ / ₂ "	11659	(5288.5)

B3132W - Lug Washer (TOLCO Fig. 9X)

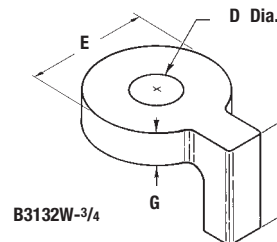
Size Range: 3/4" (20mm) thru 1 1/2" (40mm) rod

Material: Cast Iron for B3132W-3/4, steel for other sizes

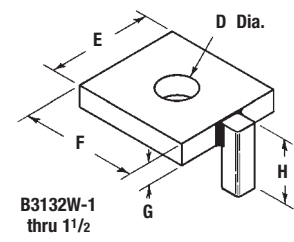
Function: Used with B3132 to secure tie rods. The projecting lug bears against the clamp bolt to prevent washer and tie rod from slipping off clamp.

Finish: Plain. Contact B-Line for alternative finishes and materials.

Order By: Part number, rod size and finish



B3132W-3/4



B3132W-1 thru 1 1/2



Part No.	Tie Rod Size	Use With Pipe Size		Dia.		E		F		G		H		Approx. Wt./100	
		in.	(mm)	in.	(mm)	in.	(mm)	in.	(mm)	in.	(mm)	in.	(mm)	Lbs.	(kg)
B3132W-3/4	3/4"-10	4"-12"	(100-300)	7/8"	(22.2)	2 ³ / ₈ "	(60.3)	--	--	5/8"	(15.9)	1 ⁵ / ₈ "	(41.3)	74	(33.7)
B3132W-1	1"-8	14"-16"	(350-400)	1 ¹ / ₈ "	(28.6)	3 ¹ / ₂ "	(88.9)	3 ¹ / ₂ "	(88.9)	5/8"	(15.9)	2 ¹ / ₂ "	(63.5)	207	(93.9)
B3132W-1 1/4	1 1/4"-7	18"	(450)	1 ³ / ₈ "	(34.9)	3 ¹ / ₂ "	(88.9)	4"	(101.6)	5/8"	(15.9)	3 ¹ / ₂ "	(63.5)	236	(107.0)
B3132W-1 3/8	1 3/8"-6	20"	(500)	1 ¹ / ₂ "	(38.1)	4"	(101.6)	4 ¹ / ₄ "	(107.9)	5/8"	(15.9)	4"	(101.6)	231	(104.8)
B3132W-1 1/2	1 1/2"-6	24"	(600)	1 ⁵ / ₈ "	(41.3)	4"	(101.6)	4 ³ / ₄ "	(120.6)	5/8"	(15.9)	4"	(101.6)	259	(117.5)

All dimensions in charts and on drawings are in inches. Dimensions shown in parentheses are in millimeters unless otherwise specified.

Pipe Clamps

B3134 - Double Bolt Underground Socket Clamp (TOLCO Fig. 14)

Size Range: 4" (100mm) thru 24" (600mm) pipe

Material: Steel

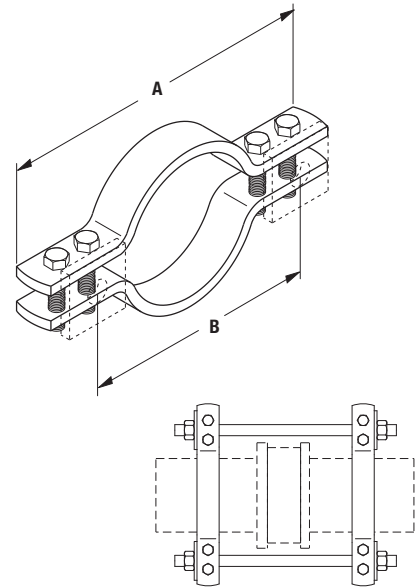
Function: Clamp is used for underground A.W.W.A. cast iron and ductile iron water pipe to prevent joints from separating. The O.D. of the A.W.W.A. pipe is shown in the data table.

Approvals: Conforms to National Fire Protection Association (NFPA) Pamphlet 24, 4" (100mm) thru 12" (300mm) pipe sizes.

Finish: Plain. Contact B-Line for alternative finishes and materials.

Order By: Part number, pipe size and outside diameter of pipe.

Order B3134W plate washers, tie rods and hex nuts separately.



Part No.	Pipe Size in. (mm)	A in. (mm)	B in. (mm)	Bolt Size	B3134 Washer Size)	Approx. Wt./100 lbs. (kg)
B3134-4	4.80" (121.9)	14 ¹ / ₁₆ " (357.2)	9 ⁵ / ₁₆ " (236.5)	5/8"-11	B3134W-3/4	1275 (578.3)
B3134-6	6.90" (175.3)	16 ⁷ / ₁₆ " (417.5)	11 ¹¹ / ₁₆ " (298.9)	5/8"-11	B3134W-3/4	1455 (660.0)
B3134-8	9.05" (229.9)	19 ⁵ / ₈ " (498.5)	14 ⁷ / ₈ " (442.6)	5/8"-11	B3134W-3/4	2350 (1065.9)
B3134-10	11.10" (281.9)	21 ¹³ / ₁₆ " (554.0)	17 ¹ / ₁₆ " (433.4)	3/4"-10	B3134W-3/4	2925 (1326.8)
B3134-12	13.20" (335.3)	24 ¹ / ₂ " (622.3)	19 ¹ / ₄ " (488.9)	7/8"-9	B3134W-1	4030 (1828.0)
B3134-14	15.30" (388.6)	26 ¹⁵ / ₁₆ " (684.2)	21 ¹¹ / ₁₆ " (550.9)	7/8"-9	B3134W-1	5385 (2442.6)
B3134-16	17.40" (441.9)	30 ³ / ₄ " (781.0)	24 ³ / ₄ " (628.6)	1"-8	B3134W-1 ¹ / ₈	7645 (3467.8)
B3134-18	19.50" (495.3)	34 ⁵ / ₁₆ " (871.5)	27 ⁵ / ₁₆ " (693.7)	1 ¹ / ₄ "-7	B3134W-1 ¹ / ₄	9425 (4275.2)
B3134-20	21.60" (548.6)	36 ⁵ / ₈ " (930.3)	29 ⁵ / ₈ " (752.5)	1 ¹ / ₄ "-7	B3134W-1 ¹ / ₂	10975 (4978.2)
B3134-24	25.80" (655.3)	42 ¹ / ₈ " (1070.0)	34 ³ / ₈ " (873.1)	1 ¹ / ₂ "-6	B3134W-1 ¹ / ₂	14865 (6742.6)

B3134W - Plate Washer (TOLCO Fig. 14X)

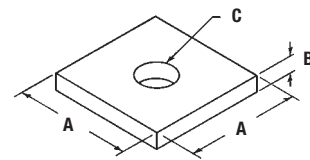
Size Range: 3/4"-10 thru 1 1/2"-6 rod

Material: Steel

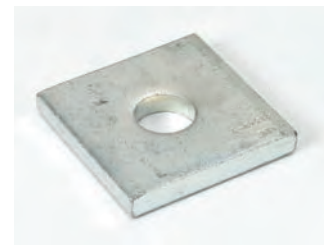
Function: Used with B3134 to secure tie rods.

Finish: Plain. Contact B-Line for alternative finishes and materials.

Order By: Part number, rod size and finish



Part No.	Tie Rod Size	A in. (mm)	B in. (mm)	Hole Size C in. (mm)	Approx. Wt./100 lbs. (kg)
B3134W-3/4	3/4"-10	3" (76.2)	1/2" (12.7)	7/8" (22.2)	120 (54.4)
B3134W-1	1"-8	3 1/2" (88.9)	1/2" (12.7)	1 1/8" (28.6)	157 (71.2)
B3134W-1 1/8	1 1/8"-7	3 1/2" (88.9)	5/8" (15.9)	1 1/4" (31.7)	194 (88.0)
B3134W-1 1/4	1 1/4"-7	3 1/2" (88.9)	3/4" (19.0)	1 3/8" (35.8)	230 (104.3)
B3134W-1 1/2	1 1/2"-6	3 1/2" (88.9)	3/4" (19.0)	1 5/8" (41.2)	240 (108.8)



All dimensions in charts and on drawings are in inches. Dimensions shown in parentheses are in millimeters unless otherwise specified.