

## B3199R - Ceiling Flange B3199RCT - Ceiling Flange Dura-Copper Coated

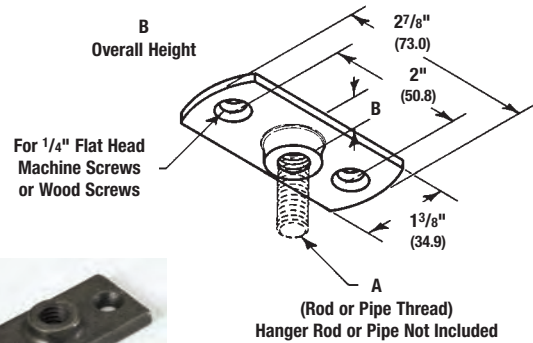
**Size Range:** 3/8"-16 & 1/2"-13 rod

**Material:** Malleable Iron (Stainless Steel Type 304 available)

**Standard Finish:** Plain or Electro-Galvanized  
B3199RCT is DURA-COPPER™ coated

**Function:** Designed for attaching a hanger or support rod to beams, ceilings, or walls.

**Order By:** Part number and finish.



B3199RCT



B3199R

Part No.		Thread Size A	B in. (mm)	Design Load Lbs. (kN)	Approx. Wt./100 Lbs. (kg)
B3199R-3/8	B3199RCT-3/8	3/8"-16	7/16" (11.1)	180 (.80)	13 (5.9)
B3199R-1/2	B3199RCT-1/2	1/2"-13	1/2" (12.7)	180 (.80)	17 (7.7)

## Fig. 78 - All Steel Ceiling Plate

**Size Range:** 3/8"-16 rod

**Material:** Pre-Galvanized Steel

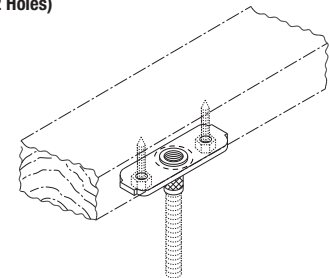
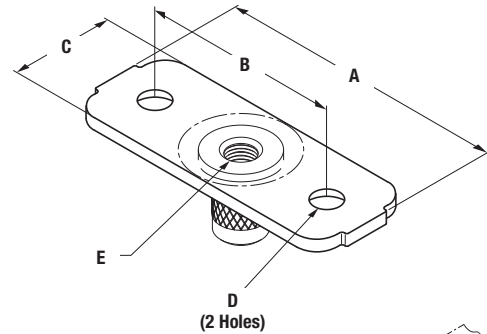
**Function:** Attachment to wood beams, ceilings, metal decks or walls. Can also be welded to steel beams.

**Approvals:** Underwriters Laboratories Listed in the USA (UL) and Canada (cUL). Additionally, UL has listed the Fig. 78 with fasteners as shown in the table below.

**Finish:** Plain. Contact B-Line for alternative finishes and materials.

**Order By:** Part number, rod size and finish

**US Patent #5,702,077**



Pipe Size	Qty	UL Listed Fastener Table Fastener Type	Material
1/2" - 2"	2	#14 x 1 1/4" A-point hex-washer-head sheet metal screw	Wood
2 1/2" - 4"	2	1/4" x 1 1/2" wood screws*	Wood
1/2" - 2"	2	1/4" x 1" tek screws	Metal (18 gauge)
1/2" - 2"	2	#14 x 1 1/4" A-point hex-washer-head sheet metal screw	Wood
1/2" - 2"	2	#14 x 2" A-point-hex-washer-head sheet metal screw	Wood thru 5/8" gyp board

\* No pre-drilling

Part No.	Pipe Size		A		B		C		Hole Dia. D	Thread Size E	Design Load Lbs. (kN)	Approx. Wt./100 Lbs. (kg)	
	in.	(mm)	in.	(mm)	in.	(mm)	in.	(mm)				Lbs.	(kg)
78-3/8	1/2" - 2"	(15 - 60)	3"	(76.2)	2 1/8"	(54.0)	1 1/8"	(28.6)	5/16" (7.9)	3/8"-16	150*	(0.67)	15 (6.8)
--	Consult Factory For Data												

All dimensions in charts and on drawings are in inches. Dimensions shown in parentheses are in millimeters unless otherwise specified.

# Upper Attachments

## B3060L - Light Duty Angle Clip

**Size Range:** 3/8"-16 rod

**Material:** Steel (Stainless steel available)

**Function:** Designed for attaching 3/8"-16 hanger rod to the side of beams or walls.

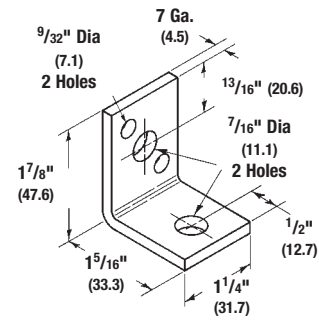
**Approvals:** Conforms to Federal Specification WW-H-171E & A-A-1192A, Type 35 and Manufacturers Standardization Society ANSI/MSS SP-69 & SP-58, Type 34.

**Finish:** Plain or Electro-Galvanized

**Order By:** number and finish.

**Design Load:** 300 Lbs. (1.33kN)

**Weight:** Approx. Wt./100 - 15 Lbs. (6.8 kg)



## B3070 - Reversible Angle Clip (TOLCO Fig. 52)

**Size Range:** 3/8"-16 and 1/2"-13 rod, 1/2" (15mm) thru 3 1/2" (90mm) pipe

**Material:** Steel

**Function:** Designed for attaching hanger rod to the side of beams or walls.

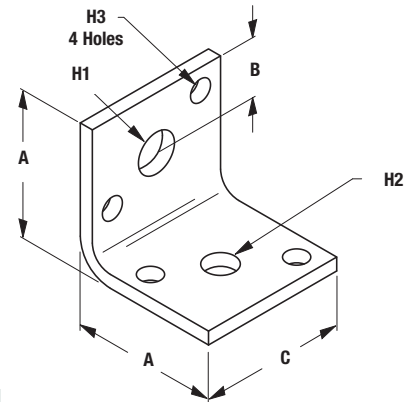
**Approvals:** Conforms to Federal Specification WW-H-171E & A-A-1192A, Type 35 and Manufacturers Standardization Society ANSI/MSS SP-69 & SP-58, Type 34.

**Finish:** Plain or Electro-Galvanized

**Order By:** number and finish.

**Design Load:** 500 Lbs. (2.22 kN) when installed in either direction.

**Weight:** Approx. Wt./100 - 49 Lbs. (22.2 kg)



Upper Attachments

Part No.	Rod Size	A		B		C		Hole 1		Hole 2		Hole 3		Max. Rec. Load		Approx. Wt./100	
		in.	(mm)	in.	(mm)	in.	(mm)	in.	(mm)	in.	(mm)	in.	(mm)	Lbs.	(kN)	Lbs.	(kg)
B3070-3/8x1/2	3/8"-16 x 1/2"-13	2"	(50.8)	13/16"	(20.6)	2"	(50.8)	9/16"	(14.3)	7/16"	(11.1)	5/16"	(7.9)	700	(3.11)	35	(15.9)
B3070-1/2x1/2	1/2"-13 x 1/2"-13	2"	(50.8)	3/4"	(19.0)	2"	(50.8)	9/16"	(14.3)	9/16"	(14.3)	5/16"	(7.9)	700	(3.11)	34	(15.4)

## B3060 - Side Beam Angle Clip

**Size Range:** 3/8"-16 and 7/8"-9 rod

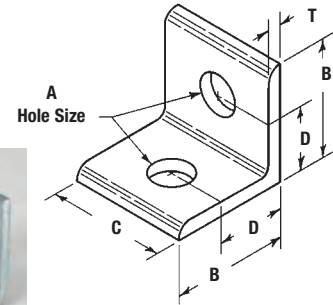
**Material:** Steel (Stainless steel available)

**Function:** Designed for attaching a hanger rod to the side of beams or walls.

**Approvals:** Conforms to Federal Specification WW-H-171E & A-A-1192A, Type 35 and Manufacturers Standardization Society ANSI/MSS SP-69 & SP-58, Type 34.

**Finish:** Plain or Electro-Galvanized. Contact B-Line for alternative finishes and materials.

**Order By:** Part number and finish.



Part No.	Hole Size A		B		C		D		T		Design Load		Approx. Wt./100	
	in.	(mm)	in.	(mm)	in.	(mm)	in.	(mm)	in.	(mm)	Lbs.	(kN)	Lbs.	(kg)
B3060-3/8	7/16"	(11.1)	2 3/16"	(55.6)	2"	(50.8)	1 1/4"	(31.7)	1/4"	(6.3)	305	(1.35)	53	(24.0)
B3060-1/2	9/16"	(14.3)	2 3/16"	(55.6)	2"	(50.8)	1 1/4"	(31.7)	1/4"	(6.3)	565	(2.51)	51	(23.1)
B3060-5/8	1 1/16"	(17.5)	2 3/16"	(55.6)	2"	(50.8)	1 1/4"	(31.7)	1/4"	(6.3)	909	(4.02)	48	(21.8)
B3060-3/4	1 3/16"	(20.6)	3"	(76.2)	3"	(76.2)	1 3/4"	(44.4)	3/8"	(9.5)	1355	(6.03)	169	(74.8)
B3060-7/8	1 5/16"	(23.8)	4"	(101.6)	4"	(101.6)	2 1/2"	(63.5)	3/8"	(9.5)	1870	(8.32)	312	(141.5)

## Fig. 51 - Side Beam Bracket for NFPA Rod & Fastener Sizing

**Size Range:** 3/8"-16 thru 1/2"-13 rod, 1/2" (15mm) thru 8" pipe (200mm)

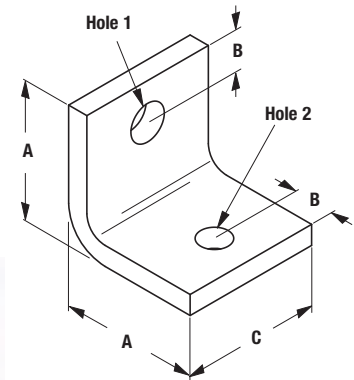
**Material:** Steel

**Function:** Recommended for attaching hanger rod to side of beams or walls. Designed to accommodate current rod schedule and fastener requirements per National Fire Protection Association (NFPA) Pamphlet 13.

**Approvals:** Underwriters Laboratories Listed in the USA (UL) and Canada (cUL), and Factory Mutual Engineering approved.

**Finish:** Plain. Contact B-Line for alternative finishes and materials.

**Order By:** Part number, rod size and finish



Part No.	Pipe Size		Rod Size	A		B		C		Hole 1		Hole 2		Design Load		Approx. Wt./100	
	in.	(mm)		in.	(mm)	in.	(mm)	in.	(mm)	in.	(mm)	in.	(mm)	Lbs.	(kN)	Lbs.	(kg)
51-1/2-2	1/2" - 2"	(15 - 60)	3/8"-16	2"	(50.8)	3/4"	(19.0)	2"	(50.8)	7/16"	(11.1)	7/16"	(11.1)	700	(3.11)	35	(15.9)
51-2 1/2-4	2 1/2" - 4"	(65 - 100)	3/8"-16	2"	(50.8)	3/4"	(19.0)	2"	(50.8)	9/16"	(14.3)	7/16"	(11.1)	700	(3.11)	34	(15.4)
51-5-6	5" - 6"	(125 - 150)	1/2"-13	2 1/2"	(63.5)	3/4"	(19.0)	2 1/2"	(63.5)	9/16"	(14.3)	9/16"	(14.3)	1250	(5.56)	71	(32.2)
51-8	8"	(200)	1/2"-13	2 1/2"	(63.5)	3/4"	(19.0)	2 1/2"	(63.5)	1 1/16"	(17.5)	9/16"	(14.3)	1250	(5.56)	70	(31.7)

All dimensions in charts and on drawings are in inches. Dimensions shown in parentheses are in millimeters unless otherwise specified.

# Upper Attachments

**Fig. 50 - Side Beam Bracket for NFPA Rod & Fastener Sizing**

**Size Range:** 3/8"-16 thru 7/8"-9 rod

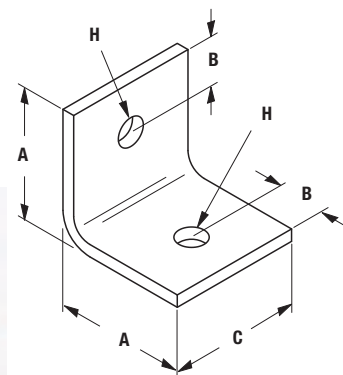
**Material:** Steel

**Function:** Recommended for attaching hanger rod to side of beams or walls.

**Approvals:** 3/8"-16 - Underwriters Laboratories Listed in the USA (UL) and Canada (cUL), and Factory Mutual Engineering approved.

**Finish:** Plain. Contact B-Line for alternative finishes and materials.

**Order By:** Part number, rod size and finish



Part No.	Rod Size	A		B		C		Hole Size H		Max. Rec. Load		Approx. Wt./100	
		in.	(mm)	in.	(mm)	in.	(mm)	in.	(mm)	Lbs.	(kN)	Lbs.	(kg)
50-3/8	3/8"-16	2"	(50.8)	3/4"	(19.0)	2"	(50.8)	7/16"	(11.1)	700	(3.22)	35	(15.9)
50-1/2	1/2"-13	2"	(50.8)	3/4"	(19.0)	2"	(50.8)	9/16"	(14.3)	700	(3.22)	35	(15.9)
50-5/8	5/8"-11	2"	(50.8)	3/4"	(19.0)	2"	(50.8)	11/16"	(17.5)	700	(3.22)	32	(14.5)
50-3/4	3/4"-10	2 1/2"	(63.5)	3/4"	(19.0)	2 1/2"	(63.5)	13/16"	(20.6)	1250	(5.56)	110	(49.9)
50-7/8	7/8"-9	2 1/2"	(63.5)	3/4"	(19.0)	2 1/2"	(63.5)	15/16"	(23.8)	1250	(5.56)	100	(45.3)

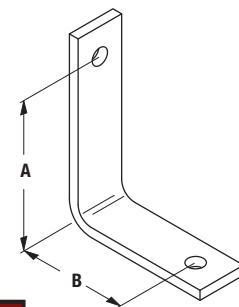
**B3061 - Angle Bracket (TOLCO Fig. 42)**

**Material:** Steel

**Function:** — Recommended for supporting pipe at various distances from wall or column.

**Finish:** Plain. Contact B-Line for alternative finishes and materials.

**Order By:** Part number and finish



Part No.	Size in.	A		B		Hole Size		Max. Rec. Load		Approx. Wt./100	
		in.	(mm)	in.	(mm)	in.	(mm)	Lbs.	(kN)	Lbs.	(kg)
B3061-1	1	3"	(76.2)	2"	(50.8)	7/16"	(11.1)	180	(0.80)	46	(20.8)
B3061-2	2	4"	(101.6)	3"	(76.1)	7/16"	(11.1)	180	(0.80)	65	(29.5)
B3061-3	3	3"	(76.2)	2"	(50.8)	9/16"	(14.3)	390	(1.73)	85	(38.5)
B3061-4	4	4"	(101.6)	3"	(76.1)	9/16"	(14.3)	390	(1.73)	115	(52.1)

Upper Attachments

**Fig. 56 - Tapped Side Beam Connector (Stainless Steel)**

**Size Range:** 1/2" (15mm) thru 4" (100mm) pipe (3/8"-16 rod)

**Material:** Stainless Steel

**Function:** Recommended for attaching hanger rod to steel or wood beams. Tapped hole allows easy adjustment of hanger rod.

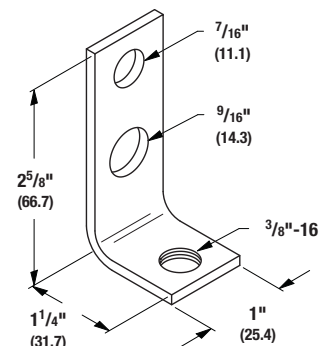
**Approvals:** Underwriters Laboratories Listed in the USA (UL) and Canada (cUL), and Factory Mutual Engineering approved for 1/2" (15mm) thru 4" (100mm) pipe.

**Weight:** Approx. Wt./100 - 20.0 Lbs. (9.1kg)

**Order By:** Part number

**Note:** Available only in Stainless Steel materials.

**Per NFPA 13:** 1/2" (15mm) thru 2" (50mm) pipe use 3/8"-16 fastener; 2 1/2" (65mm) thru 4" (100mm) pipe, use 1/2"-13 fastener.



**Fig. 58 - Threaded Side Beam Bracket**

**Size Range:** 3/8"-16 rod, pipe sizes 1/2" (15mm) thru 4" (100mm)

**Material:** Pre-Galvanized Steel

**Function:** Practical and economical bracket used to support piping from wood, concrete or steel beams.

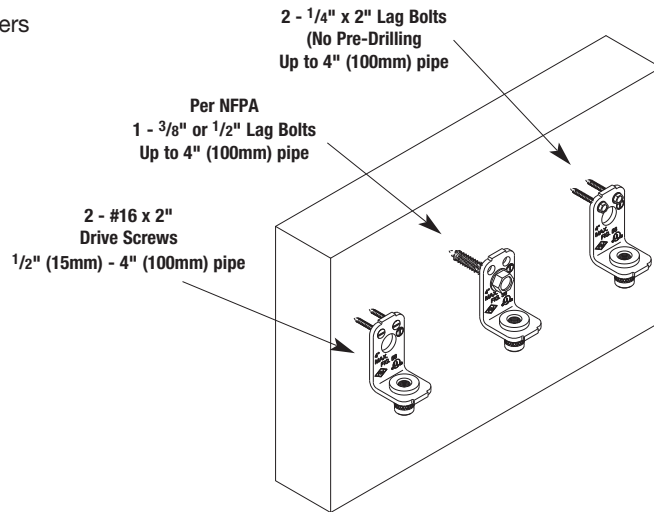
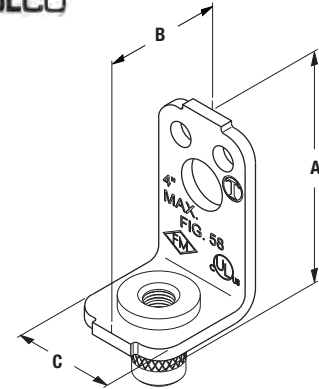
**Features:** Unique design allows rod to be easily threaded into bracket. Offset design permits unlimited rod adjustment. Center mounting hole will accept 3/8" and 1/2" fastener bolts. Per NFPA 13: 1/2" (15mm) thru 2" (50mm) pipe requires 3/8" fastener, 2 1/2" (65mm) thru 4" (100mm) pipe requires 1/2" fastener.\*

**Approvals:** Underwriters Laboratories Listed in the USA (UL) and Canada (cUL), and Factory Mutual Engineering approved thru 4" (100mm) pipe.

**Finish:** Pre-Galvanized

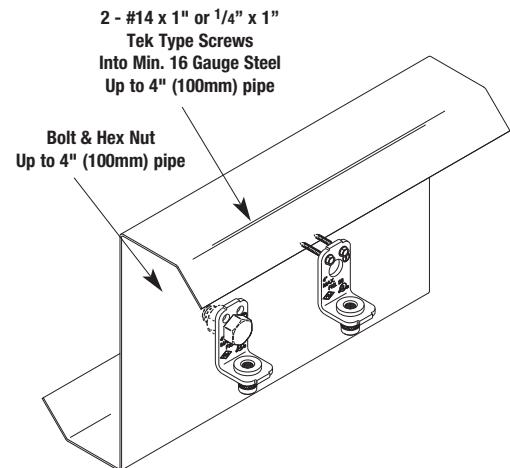
**Order By:** Part number and finish

\*Note: Additionally UL has listed the Fig. 58 with fasteners as shown in table below.



UL Listed Fastener Table			
Pipe Size	Qty	Fastener Type	Material
2"	2	#16 x 2" Drive screws	Wood
2"	1	3/8" Lag bolt	Wood
2 1/2" - 4"	1	1/2" Lag bolt	Wood
3 1/2"	2	1/4" x 1 1/2" Lag bolts	Wood
4"	2	1/4" x 2" Lag bolts **	Wood
4"	2	#14 x 1" or 1/4" x 1" Tek type screws	Metal (15 gauge)
4"	2	#14 x 1" or 1/4" x 1" Tek type screws	Metal (16 gauge)

\*\* No pre-drilling



Upper Attachments

Part No.	Pipe Size		Rod Size	A		B		C		Max. Rec. Load		Approx. Wt./100	
	in.	(mm)		in.	(mm)	in.	(mm)	in.	(mm)	Lbs.	(kN)	Lbs.	(kg)
<b>58</b>	1/2" - 4"	(15 - 100)	3/8"-16	2 3/4"	(69.8)	1 1/2"	(38.1)	1 1/8"	(28.6)	300***	(1.33)	14	(6.3)

\*\*\* With Safety Factor of 5.

All dimensions in charts and on drawings are in inches. Dimensions shown in parentheses are in millimeters unless otherwise specified.

## B3058 - Side Beam Connector

**Size Range:** 3/8"-16 & 1/2"13 rods

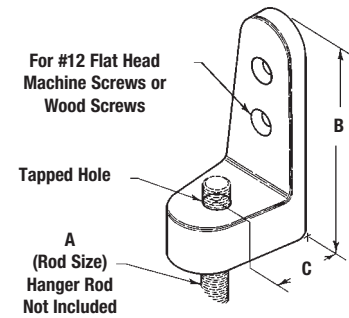
**Material:** Malleable Iron

**Function:** Designed for attaching hanger rod to the side of beams or walls.

**Approvals:** Conforms to Federal Specification WW-H-171E & A-A-1192A, Type 35 and Manufacturers Standardization Society ANSI/MSS SP-69 & SP-58, Type 34.

**Finish:** Plain or Electro-Galvanized

**Order By:** Part number and finish.



Part No.	Rod Size A	B		C		Design Load		Approx. Wt./100	
		in.	(mm)	in.	(mm)	Lbs.	(kN)	Lbs.	(kg)
B3058-3/8	3/8"-16	2 3/8"	(60.3)	9/16"	(14.3)	250	(1.11)	13	(5.9)
B3058-1/2	1/2"-13	2 3/4"	(69.8)	3/4"	(19.0)	480	(2.13)	25	(11.3)

## B3062 - Side Beam Bracket

**Size Range:** 3/8"-16 thru 5/8"11 rods

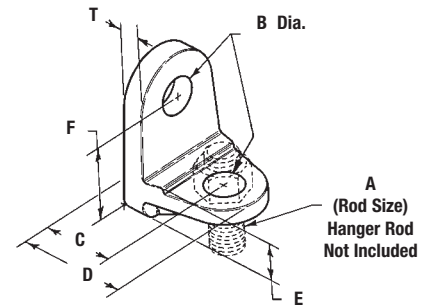
**Material:** Malleable Iron

**Function:** Designed for attaching hanger rod to the side of beams or walls.

**Approvals:** Conforms to Federal Specification WW-H-171E & A-A-1192A, Type 35 and Manufacturers Standardization Society ANSI/MSS SP-69 & SP-58, Type 34.

**Finish:** Plain or Electro-Galvanized

**Order By:** Part number and finish.



Part No.	Rod Size A	For Nominal Pipe Sizes		Design Load				Approx. Wt./100	
		in.	(mm)	With Lag Screw Lbs.	(kN)	With Bolt To Steel Lbs.	(kN)	Lbs.	(kg)
B3062-3/8	3/8"-16	3/4"-2"	(20-50)	390	(1.73)	730	(3.25)	21	(9.5)
B3062-1/2	1/2"-13	2 1/2"-3 1/2"	(65-95)	640	(2.84)	1350	(6.00)	44	(19.9)
B3062-5/8	5/8"-11	4"-5"	(100-125)	760	(3.38)	2160	(9.71)	81	(36.7)

Part No.	B		C		D		E		F		T	
	in.	(mm)	in.	(mm)	in.	(mm)	in.	(mm)	in.	(mm)	in.	(mm)
B3062-3/8	7/16"	(11.1)	7/8"	(22.2)	1 3/8"	(34.9)	5/8"	(15.9)	1 7/16"	(36.5)	1/4"	(6.3)
B3062-1/2	9/16"	(14.3)	1 3/16"	(30.2)	1 13/16"	(46.0)	3/4"	(19.0)	1 7/8"	(47.6)	1 1/32"	(8.7)
B3062-5/8	3/4"	(19.0)	1 7/16"	(36.5)	2 3/16"	(55.6)	7/8"	(22.2)	2 1/4"	(54.0)	7/16"	(11.1)

All dimensions in charts and on drawings are in inches. Dimensions shown in parentheses are in millimeters unless otherwise specified.