



**REPLACEMENT PARTS LIST**  
**Ultra Low NOx Residential & Light Duty**  
**Commercial Gas**  
**Atmospheric Vent High Input Models**

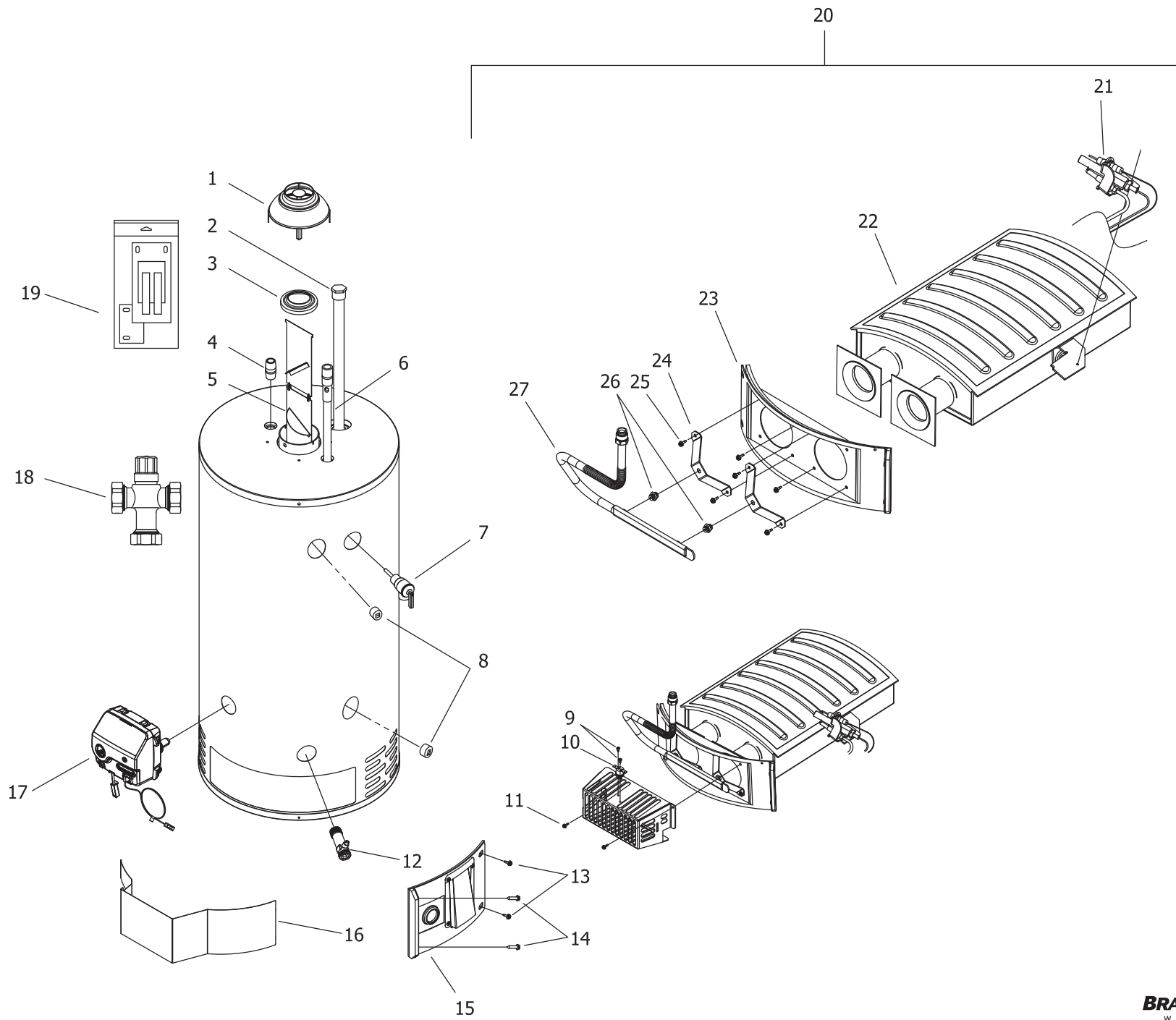


Includes Hydrojet<sup>®</sup>  
Total Performance System

***Effective: April, 2015***  
***ECO 7950***

**NOTE: BOTH MODEL AND SERIAL  
NUMBERS ARE REQUIRED FOR  
ORDERING REPLACEMENT PARTS**

Dimensions and specifications  
subject to change without notice.



Item	Description	Model	Model
		URG275H*N	ULG275H76*N
1	Draft Diverter	239-33081-03-20-01	239-33081-03-20-01
2	Hex head Sacrificial Anode (Magnesium) #	224-47782-08	224-47782-08
	Hex head Sacrificial Anode (Aluminum) #	224-47783-08	224-47783-08
	Hex head Sacrificial Anode (A420 Aluminum) #	224-49559-04	224-49559-04
3	Draft Diverter Adapter	239-49757-00	239-49757-00
4	Outlet Nipple	229-50053-02	229-50053-02
5	Baffle	239-49846-00	239-49846-00
6	Diptube (Polysulfone)	229-47040-01	229-47040-01
7	T&P Relief Valve	230-40594-02	230-40594-02
8	3/4 NPT Pipe Plug	239-11638-00	239-11638-00
9	#6-20 X 3/8 Screw	239-43967-00	239-43967-00
10	Resettable Thermal Switch	239-43676-03	239-43676-03
11	#8-18 X 1/2 Screw	239-32761-00	239-32761-00
12	Brass Drain Valve	265-42351-02	265-42351-02
13	#10-12 X 3/4 Screw	239-44113-00	239-44113-00
14	#8-18 X 1/2 Screw	239-32761-00	239-32761-00
15	Right Side Inner Door Assembly	239-49804-22	239-49804-22
16	Outer Door	239-49092-00	239-49092-00
17	Gas Control Direct Replacement Natural Gas	239-49841-02	239-49843-01
18	ASSE Approved Mixing Valve	239-43740-01	239-43740-01
19	Inner Door Gasket Kit	239-49987-00	239-49987-00
<b>Natural Gas Burner Assembly</b>			
20	Nat Gas Burner Assembly Complete***	265-49907-01-38	265-49907-01-38
21	Nat. Gas Pilot Assembly**	233-49870-01	233-49870-01
22	Nat. Gas Burner **	228-47000-00	239-47513-00
23	Left Side Inner Door Assembly**	239-49557-00	239-49557-00
24	Orifice Mount Bracket (x2)	239-49090-00	239-49090-00
25	Orifice Mount #8-32 Screws (x8)	239-44195-00	239-44195-00
26	Nat. Gas Main Burner Orifice 0 Ft. to 2,000 Ft. (x2) **	234-41034-38	234-41034-38
	Nat. Gas High Altitude 0 Ft. to 7000 Ft. (-475 model suffixes) (x2) **	234-41034-42	234-41034-42
	Nat. Gas High Altitude Kit 7,001 Ft. to 10,000 Ft.	265-51315-01-44	265-51315-01-44
27	Feedline	233-49091-00	233-49091-00

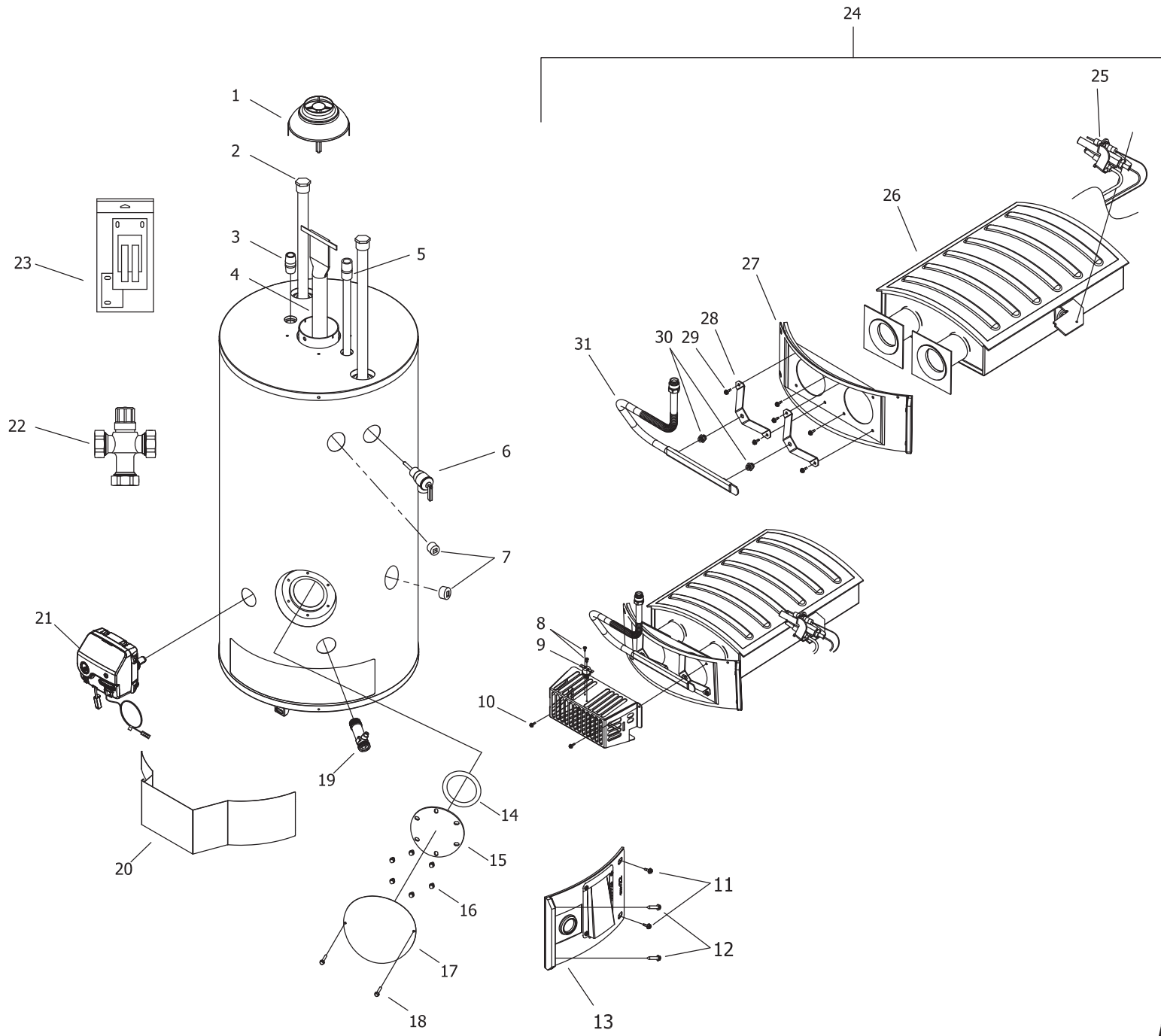
\*Applies to all warranties

\*\*Order with Item# 19

\*\*\*Ordering a complete burner assembly may increase delivery time.

Please order the specific component required for the quickest delivery.

#Anode may need to be cut to length



Item	Description	Model	Model
		URG2100H*N	ULG2100H85*N
1	Draft Diverter	239-33081-01-20-16	239-33081-01-20-16
2	Hex head Sacrificial Anode (Magnesium) #	224-47782-08	224-47782-08
	Hex head Sacrificial Anode (Aluminum) #	224-38508-10	224-38508-10
	Hex head Sacrificial Anode (A420 Aluminum) #	224-49559-04	224-49559-04
3	Outlet Nipple	229-40913-03	229-40913-03
4	Flue Core	239-45676-00	239-45676-00
5	Diptube (Polysulfone)	229-46993-01	229-46993-01
6	T&P Relief Valve	230-40594-02	230-40594-02
7	3/4 NPT Pipe Plug	239-11638-00	239-11638-00
8	#6-20 X 3/8 Screw	239-43967-00	239-43967-00
9	Resettable Thermal Switch	239-43676-03	239-43676-03
10	#8-18 X 1/2 Screw	239-32761-00	239-32761-00
11	#10-12 X 3/4 Screw	239-44113-00	239-44113-00
12	#8-18 X 1/2 Screw	239-32761-00	239-32761-00
13	Right Side Inner Door Assembly	239-49804-24	239-49804-24
14	Cleanout Gasket	205-18427-00	205-18427-00
15	Tank Cleanout Door	205-18428-00	205-18428-00
16	Tank Cleanout Door 5/16 X 1/2" hex head Screw	239-82166-00	239-82166-00
17	Cleanout Cover	243-20299-00	243-20299-00
18	Cleanout Cover #8-15 Screw	239-44195-00	239-44195-00
19	Brass Drain Valve	265-42351-02	265-42351-02
20	Outer Door	239-49092-00	239-49092-00
21	Gas Control Direct Replacement Natural Gas	239-49841-02	239-49841-02
22	ASSE Approved Mixing Valve	239-43740-01	239-43740-01
23	Inner Door Gasket Kit	239-49987-00	239-49987-00
	<b>Natural Gas Burner Assembly</b>		
24	Nat Gas Burner Assembly Complete***	265-49907-04-35	265-49907-04-35
25	Nat. Gas Pilot Assembly**	233-49870-02	233-49870-02
26	Nat. Gas Burner	228-49097-22	228-49097-22
27	Left Side Inner Door Assembly**	239-49558-00	239-49558-00
28	Orifice Mount Bracket (x2)	239-49090-00	239-49090-00
29	Orifice Mount #8-32 Screws (x8)	239-44195-00	239-44195-00
30	Nat. Gas Main Burner Orifice 0 Ft. to 2,000 Ft. (x2) **	234-41034-35	234-41034-35
	Nat. Gas High Altitude 0 Ft. to 7000 Ft. (-475 model suffixes) (x2) **	234-41034-39	234-41034-39
	Nat. Gas High Altitude Kit 7,001 Ft. to 10,000 Ft.	265-51315-02-42	265-51315-02-42
31	Feedline	233-49091-00	233-49091-00

\*Applies to all warranties

\*\*Order with Item# 18

\*\*\*Ordering a complete burner assembly may increase delivery time.

Please order the specific component required for the quickest delivery.

#Anode may need to be cut to length



# **BRADFORD WHITE®**

W A T E R H E A T E R S

Ambler, PA

For U.S. and Canada field service,  
contact your professional installer or  
local Bradford White sales representative.

**Sales/800-523-2931**  
**Fax/215-641-1670**  
**Parts Fax/215-641-2180**

**Technical Support/800-334-3393**  
**Fax/269-795-1089**

**Warranty/800-531-2111**  
**Fax/269-795-1089**

**International:**  
**Telephone/215-641-9400**  
**Telefax/215-641-9750**



# **BRADFORD WHITE-CANADA® INC.**

Mississauga, ON

**Sales/866-690-0961**  
**905-238-0100**

**Fax/905-238-0105**

**Technical Support/800-334-3393**

**Email**

**parts@bradfordwhite.com**  
**techserv@bradfordwhite.com**

**www.bradfordwhite.com**