

### PRODUCT SPECIFICATIONS

Everyday Flexible Spout Kitchen Faucet. Faucet has a flow rate of 1.5 GPM, and is made of Chrome Plated Brass material, with a Removable valve. Faucet requires 2 faucet holes.

<b>Mounting Type:</b>	Deck Mount
<b>Special Features:</b>	Low Flow Removable cartridge
<b>Finish:</b>	Chrome
<b>Handle Type:</b>	Lever Handle
<b>Deck Clearance:</b>	10"
<b>Spout Reach:</b>	6"
<b>Spout Height:</b>	11-1/8"
<b>Hole Drillings:</b>	2
<b>Material:</b>	Chrome Plated Brass
<b>Valve Type:</b>	Removable
<b>Valve Connection:</b>	3/8" O.D. Stainless Flex
<b>Flow Rate:</b>	1.5 GPM
<b>Faucet Hole Spread:</b>	4"
<b>Spout Swing Rotation:</b>	45°
<b>Spout Type:</b>	Flexible Spout

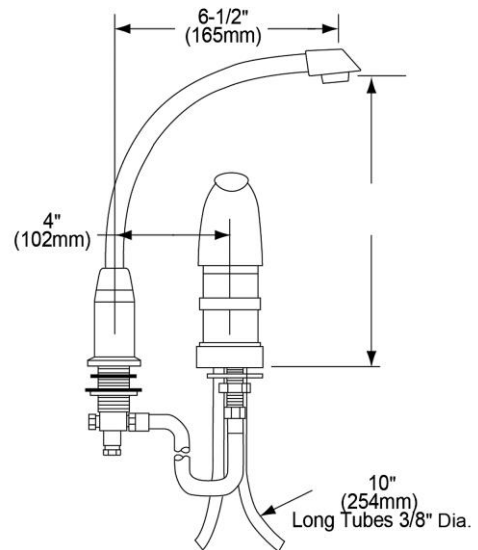


**AMERICAN PRIDE. A LIFETIME TRADITION.**  
Like your family, the Elkay family has values and traditions that endure. For almost a century, Elkay has been a family-owned and operated company, providing thousands of jobs that support our families and communities.



**Product Compliance:** ADA  
ASME A112.18.1/CSA B125.1  
NSF 372 (lead free)  
NSF 61

[Clean and Care Manual \(PDF\)](#)  
[Installation Instructions \(PDF\)](#)  
[Limited Warranty \(PDF\)](#)



PART: \_\_\_\_\_ QTY: \_\_\_\_\_

PROJECT: \_\_\_\_\_

CONTACT: \_\_\_\_\_

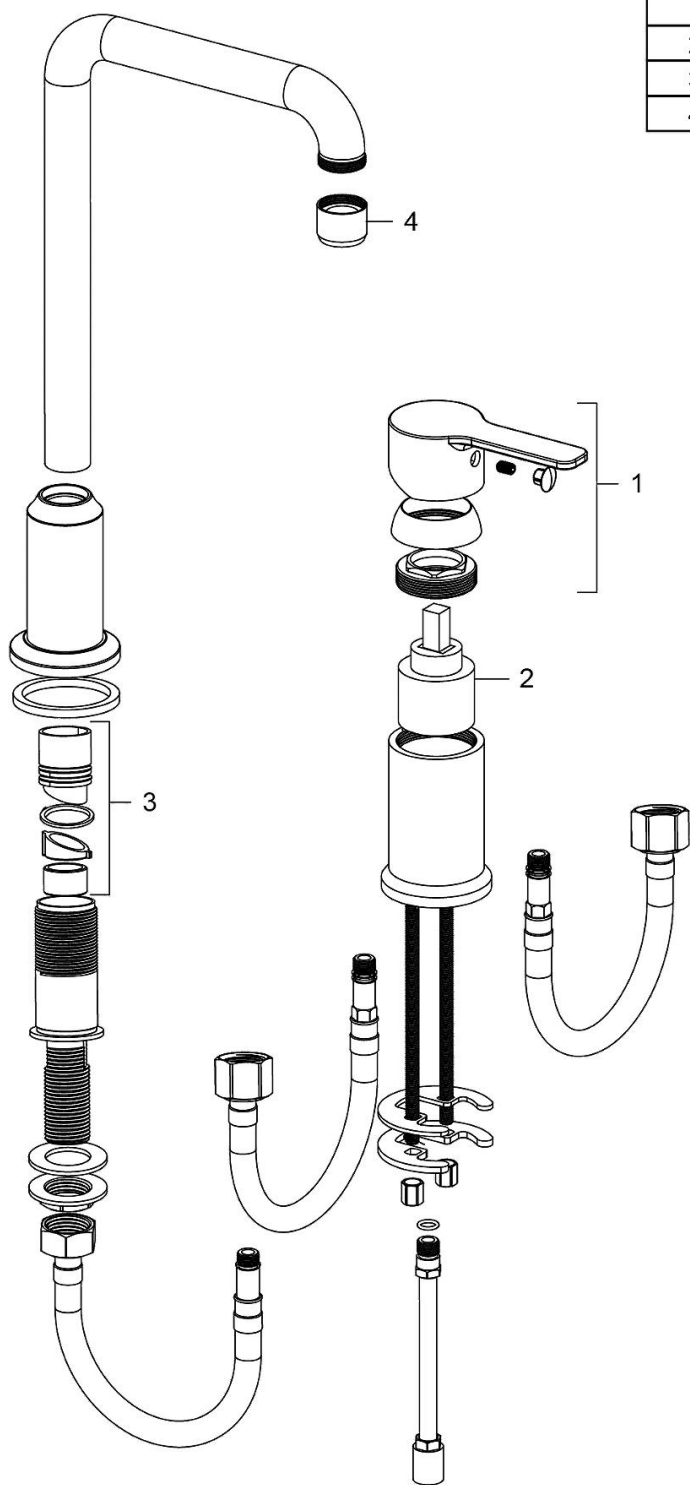
DATE: \_\_\_\_\_

NOTES: \_\_\_\_\_

APPROVAL: \_\_\_\_\_

*In keeping with our policy of continuing product improvement, Elkay reserves the right to change product specifications without notice. Please visit [elkay.com](http://elkay.com) for the most current version of Elkay product specification sheets. This specification describes an Elkay product with design, quality, and functional benefits to the user. When making a comparison of other producers' offerings, be certain these features are not overlooked.*

ITEM	PART #	DESCRIPTION
1	0000000681	Remote Handle Repair Kit
2	0000000682	Cartridge
3	0000000685	Multi Swing Spout Repair Kit
4	0000000688	Aerator



*In keeping with our policy of continuing product improvement, Elkay reserves the right to change product specifications without notice. Please visit [elkay.com](http://elkay.com) for the most current version of Elkay product specification sheets. This specification describes an Elkay product with design, quality, and functional benefits to the user. When making a comparison of other producers' offerings, be certain these features are not overlooked.*