

GRAB BAR K-10540

ADA

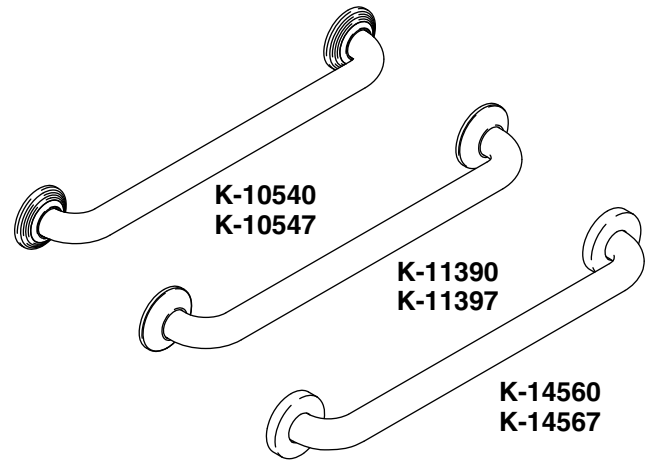
Features

- Metal construction
- Includes installation hardware
- ADA compliant when located and mounted into a structural support per ADA guidelines
- Available with traditional, transitional, or contemporary styling

Codes/Standards Applicable

Specified model meets or exceeds the following:

- ADA
- ICC/ANSI A117.1
- ASTM F446



Colors/Finishes

- S: Polished Stainless Steel
- Other: Refer to Price Book for additional colors/finishes

Specified Model

Model	Description	Colors/Finishes	
Traditional Styling			
K-10540	12" (305 mm) grab bar	<input type="checkbox"/> S	<input type="checkbox"/> Other _____
K-10541	18" (457 mm) grab bar	<input type="checkbox"/> S	<input type="checkbox"/> Other _____
K-10542	24" (610 mm) grab bar	<input type="checkbox"/> S	<input type="checkbox"/> Other _____
K-10543	32" (813 mm) grab bar	<input type="checkbox"/> S	<input type="checkbox"/> Other _____
K-10544	36" (914 mm) grab bar	<input type="checkbox"/> S	<input type="checkbox"/> Other _____
K-10545	42" (1067 mm) grab bar	<input type="checkbox"/> S	<input type="checkbox"/> Other _____
K-10546	48" (1219 mm) grab bar	<input type="checkbox"/> S	<input type="checkbox"/> Other _____
K-10547	54" (1372 mm) grab bar	<input type="checkbox"/> S	<input type="checkbox"/> Other _____
Transitional Styling			
K-11390	12" (305 mm) grab bar	<input type="checkbox"/> S	<input type="checkbox"/> Other _____
K-11391	18" (457 mm) grab bar	<input type="checkbox"/> S	<input type="checkbox"/> Other _____
K-11392	24" (610 mm) grab bar	<input type="checkbox"/> S	<input type="checkbox"/> Other _____
K-11393	32" (813 mm) grab bar	<input type="checkbox"/> S	<input type="checkbox"/> Other _____
K-11394	36" (914 mm) grab bar	<input type="checkbox"/> S	<input type="checkbox"/> Other _____
K-11395	42" (1067 mm) grab bar	<input type="checkbox"/> S	<input type="checkbox"/> Other _____
Additional models listed on Page 2.			

Product Specification

Grab bar shall be made of metal construction. Product shall include installation hardware. Product shall be ADA compliant when located and mounted into a structural support per ADA guidelines. Product shall be available with traditional, transitional, or contemporary styling. Product shall be Kohler Model K-_____-_____.



Transitional Styling (continued)			
K-11396	48" (1219 mm) grab bar	<input type="checkbox"/> S	<input type="checkbox"/> Other_____
K-11397	54" (1372 mm) grab bar	<input type="checkbox"/> S	<input type="checkbox"/> Other_____
Contemporary Styling			
K-14560	12" (305 mm) grab bar	<input type="checkbox"/> S	<input type="checkbox"/> Other_____
K-14561	18" (457 mm) grab bar	<input type="checkbox"/> S	<input type="checkbox"/> Other_____
K-14562	24" (610 mm) grab bar	<input type="checkbox"/> S	<input type="checkbox"/> Other_____
K-14563	32" (813 mm) grab bar	<input type="checkbox"/> S	<input type="checkbox"/> Other_____
K-14564	36" (914 mm) grab bar	<input type="checkbox"/> S	<input type="checkbox"/> Other_____
K-14565	42" (1067 mm) grab bar	<input type="checkbox"/> S	<input type="checkbox"/> Other_____
K-14566	48" (1219 mm) grab bar	<input type="checkbox"/> S	<input type="checkbox"/> Other_____
K-14567	54" (1372 mm) grab bar	<input type="checkbox"/> S	<input type="checkbox"/> Other_____

Installation Notes

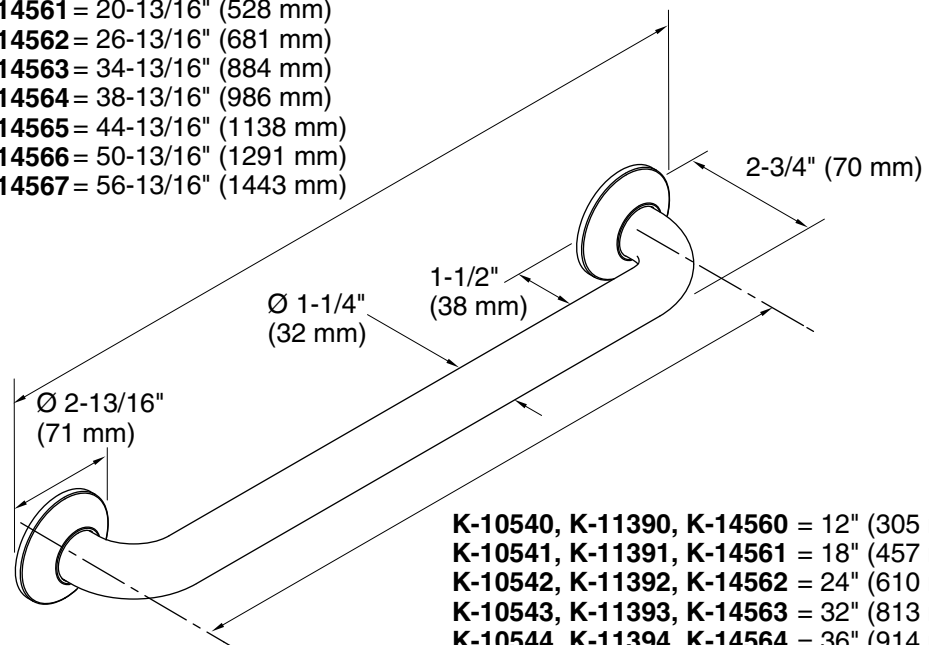


WARNING: Risk of personal injury. The wall plates on the grab bar must be mounted to a brace between the wall studs. Doing so will ensure that the weight of the user is adequately supported.

Install this product according to the installation guide.

The appearance of the product may differ from the product diagram. The dimensions still apply.

- K-10540, K-11390, K-14560 = 14-13/16" (376 mm)
- K-10541, K-11391, K-14561 = 20-13/16" (528 mm)
- K-10542, K-11392, K-14562 = 26-13/16" (681 mm)
- K-10543, K-11393, K-14563 = 34-13/16" (884 mm)
- K-10544, K-11394, K-14564 = 38-13/16" (986 mm)
- K-10545, K-11395, K-14565 = 44-13/16" (1138 mm)
- K-10546, K-11396, K-14566 = 50-13/16" (1291 mm)
- K-10547, K-11397, K-14567 = 56-13/16" (1443 mm)



- K-10540, K-11390, K-14560 = 12" (305 mm)
- K-10541, K-11391, K-14561 = 18" (457 mm)
- K-10542, K-11392, K-14562 = 24" (610 mm)
- K-10543, K-11393, K-14563 = 32" (813 mm)
- K-10544, K-11394, K-14564 = 36" (914 mm)
- K-10545, K-11395, K-14565 = 42" (1067 m)
- K-10546, K-11396, K-14566 = 48" (1219 mm)
- K-10547, K-11397, K-14567 = 54" (1372 mm)

Product Diagram