



#### Features

- Integral flange.
- Right drain.
- Integral lumbar support and armrests for comfort.
- 60" (1524 mm) x 42" (1067 mm) x 21" (533 mm)

#### Material

- Acrylic

#### Installation

- Alcove

#### Recommended Accessories

K- 11677 Bath Drain

K- 7166-AF Bath Drain

K- 24916 Wireless Music Kit



#### Codes/Standards

CSA B45.5/IAPMO Z124

ASTM E162

ASTM E662




Greenguard UL 2818 - Gold

#### KOHLER® One-Year Limited Warranty

See website for detailed warranty information.

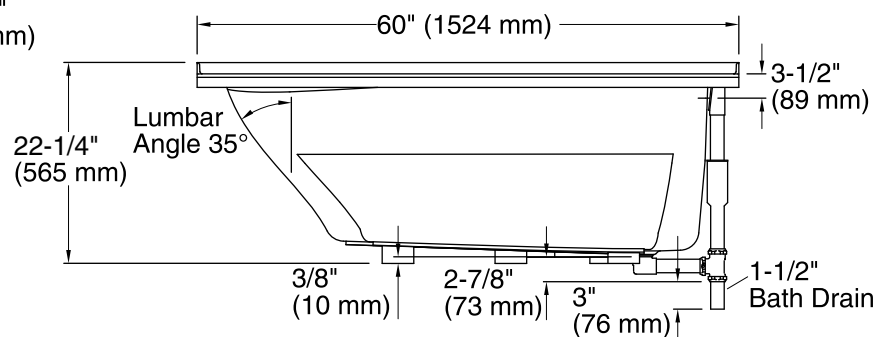
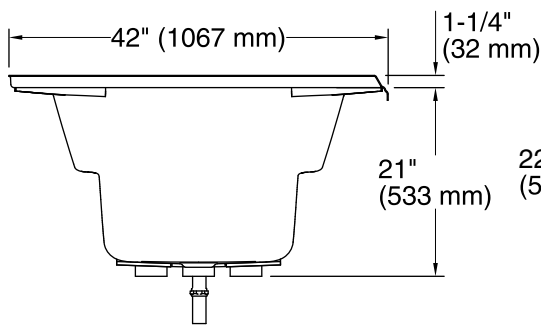
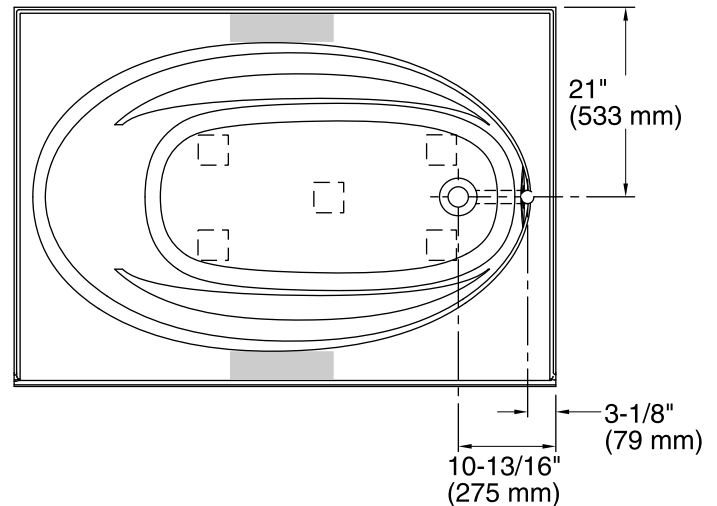
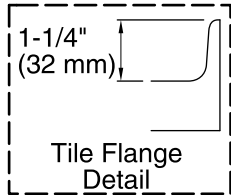
#### Available Color/Finishes

*Color tiles intended for reference only.*

| Color  | Code | Description |
|--|------|-------------|
|  | 0    | White       |
|  | 96   | Biscuit     |
|  | 47   | Almond      |

No change in measurements if connected with drain illustrated. (K-11677)

Recommended faucet area



### Technical Information

All product dimensions are nominal.

|                        |   |
|------------------------|---|
| Installation:          | 3-Wall Alcove                                     |
| Drain location:        | Right   |
| Basin area, bottom:    | 41" x 20-1/2" (1041 mm x 521 mm)                  |
| Basin area, top:       | 53-1/2" x 32-1/8" (1359 mm x 816 mm)              |
| Weight:                | 80 lbs (36.3 kg)                                  |
| Minimum floor load:    | 33 lbs/ft <sup>2</sup> (161.1 kg/m <sup>2</sup> ) |
| Water depth:           | 15" (381 mm)                                      |
| Water capacity:        | 57 gal (215.8 L)                                  |
| Cutout:                | Drop-in, 58-1/2" x 40-1/2" (1486 mm x 1029 mm)    |
| Minimum flat for door: | 3-1/4" (83 mm)                                    |

### Notes

Measure your actual product for rough-in details.

Install this product according to the installation instructions.

The hot water supply should be 70% of the capacity of the bath or greater. Installations will vary.

If installing a rim-mount faucet, make sure there is no interference with drain overflow before drilling any holes. Consult local and national codes for minimum air gap requirements if installing a spout on the faucet deck.