



#### Features

- Integral flange.
- Right drain.
- Integral lumbar support and armrests for comfort.
- Integral apron.
- 60" (1524 mm) x 42" (1067 mm) x 21" (533 mm)

#### Material

- Acrylic

#### Installation

- Alcove

#### Recommended Accessories

- K- 11677 Bath Drain
- K- 7166-AF Bath Drain



#### Codes/Standards




CSA B45.5/IAPMO Z124  
ASTM E162  
ASTM E662  
Greenguard UL 2818 - Gold

#### KOHLER® One-Year Limited Warranty

See website for detailed warranty information.

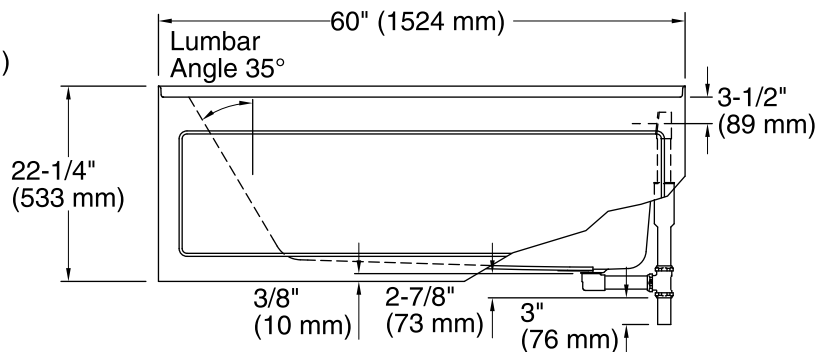
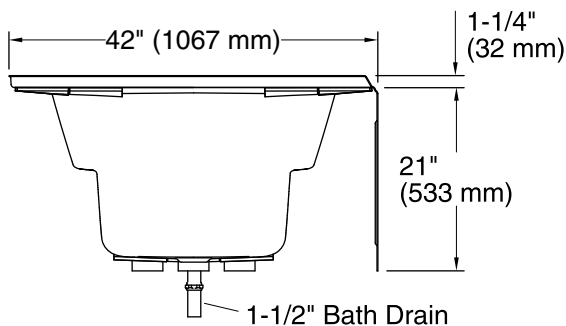
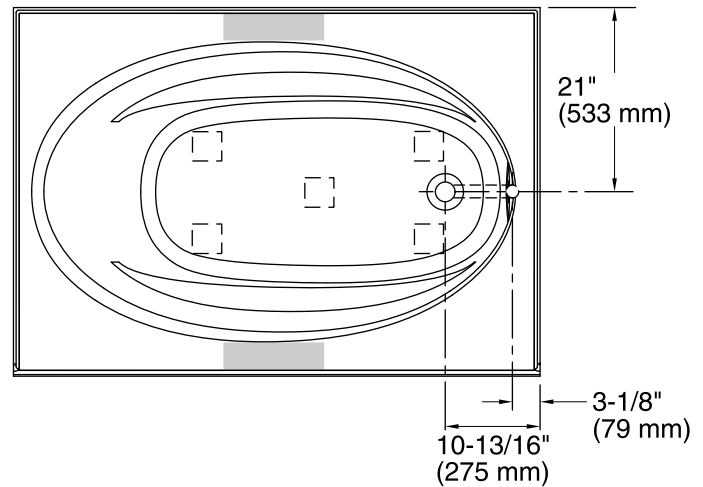
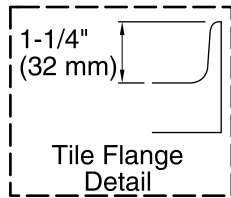
#### Available Color/Finishes

*Color tiles intended for reference only.*

Color	Code	Description
	0	White
	96	Biscuit
	47	Almond

No change in measurements if connected with drain illustrated. (K-11677)

■ Recommended faucet area



### Technical Information

All product dimensions are nominal.

Installation:	3-Wall Alcove
Drain location:	Right
Basin area, bottom:	41" x 20-1/2" (1041 mm x 521 mm)
Basin area, top:	53-1/2" x 32-1/8" (1359 mm x 816 mm)
Weight:	80 lbs (36.3 kg)
Minimum floor load:	33 lbs/ft <sup>2</sup> (161.1 kg/m <sup>2</sup> )
Water depth:	15" (381 mm)
Water capacity:	57 gal (215.8 L)

### Notes

Measure your actual product for rough-in details.

Install this product according to the installation instructions.

The hot water supply should be 70% of the capacity of the bath or greater. Installations will vary.

If installing a rim-mount faucet, make sure there is no interference with drain overflow before drilling any holes. Consult local and national codes for minimum air gap requirements if installing a spout on the faucet deck.