

Features

- Brass construction
- Wall-mounting for Touchless™ faucets
- 0.5 gal/min (1.9 l/min) flow rate
- Insight™ adaptive infrared technology
- Includes 30-year Hybrid Energy Cell

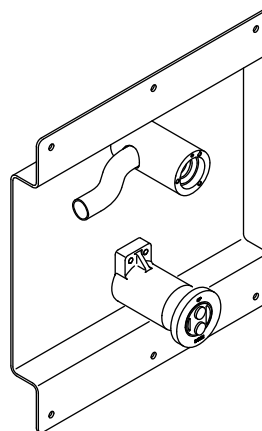
WALL-MOUNT VALVE K-11830 ALSO K-11831

ADA

Codes/Standards Applicable

Specified model meets or exceeds the following:

- ADA
- ICC/ANSI A117.1
- ASME A112.18.1/CSA B125.1
- Energy Policy Act of 1992



Colors/Finishes

- NA: None applicable

Specified Model

Model	Description	Colors/Finishes
K-11830	Wall-mount valve, round trim (shown)	<input type="checkbox"/> NA
K-11831	Wall-mount valve, square trim	<input type="checkbox"/> NA

Product Specification

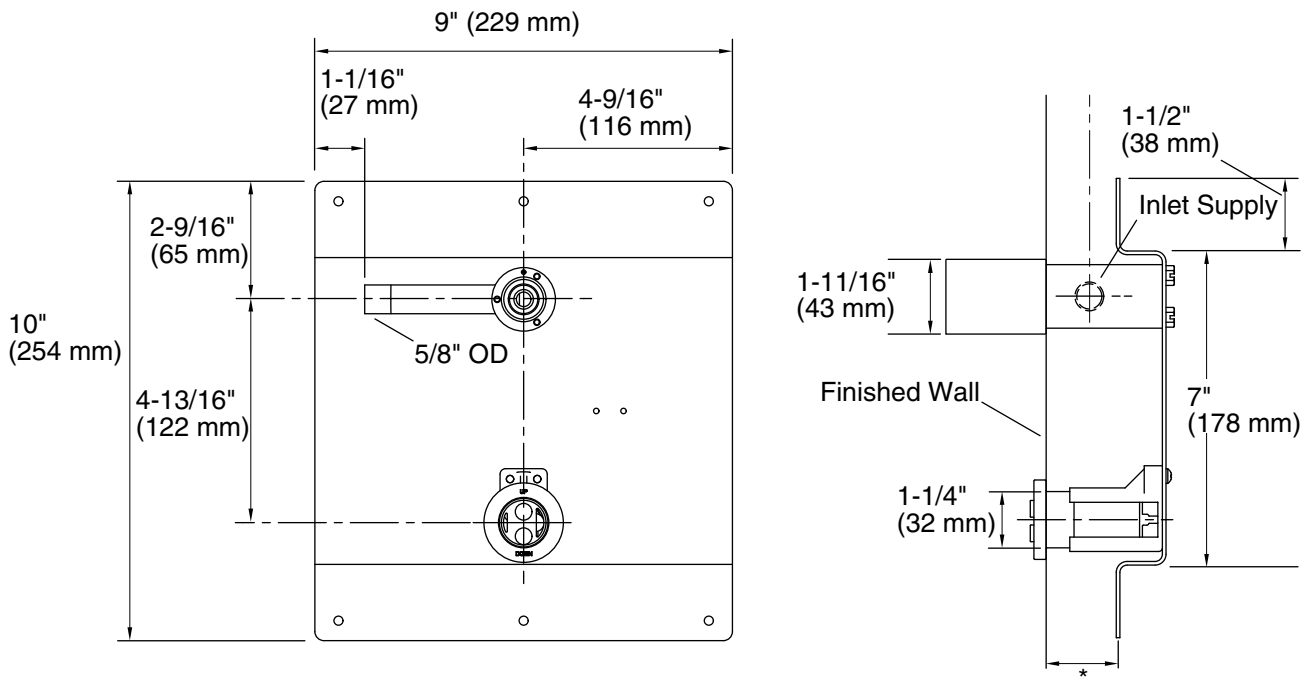
The Touchless™ wall-mounting valve shall be made of brass construction. Valve shall have a 0.5 gal/min (1.9 l/min) flow rate. Valve shall feature Insight adaptive infrared technology. Valve shall include a 30-year Hybrid Energy Cell. Wall-mount valve shall be Kohler Model K-11830-NA or K-11831-NA.

Installation Notes

Install this product according to the installation guide.

This product requires a 30-year Hybrid Energy Cell (included).

Reference the installation instructions provided with the valve for specific framing information.



*Roughing-in range varies dependant on spout trim. Consult the spout trim specification sheet for dimensions.

Product Diagram