



# Morningside™

## Wall-mount Wheelchair Bathroom Sink

### K-12634

#### Features

- Vitreous china.
- Wall-mount.
- With overflow.
- Drilled for concealed arm carrier.
- 11-1/2-inch center faucet holes.
- 20" (508 mm) x 27" (686 mm)

#### Recommended Accessories

- K- 8998 P-Trap
- K- 7131-A Offset Drain



ADA

#### Codes/Standards




ASME A112.19.2/CSA B45.1  
ADA  
ICC/ANSI A117.1

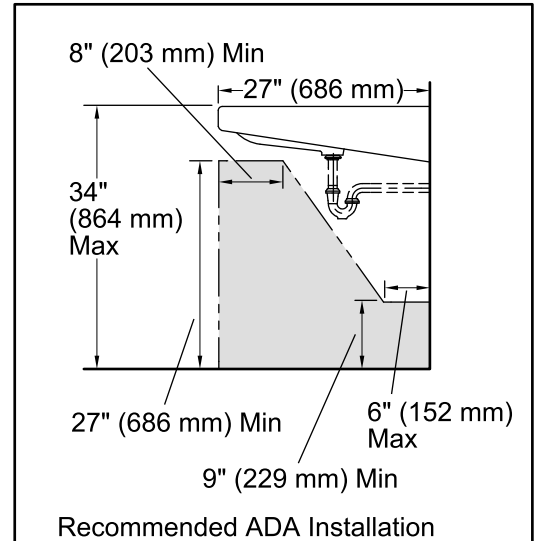
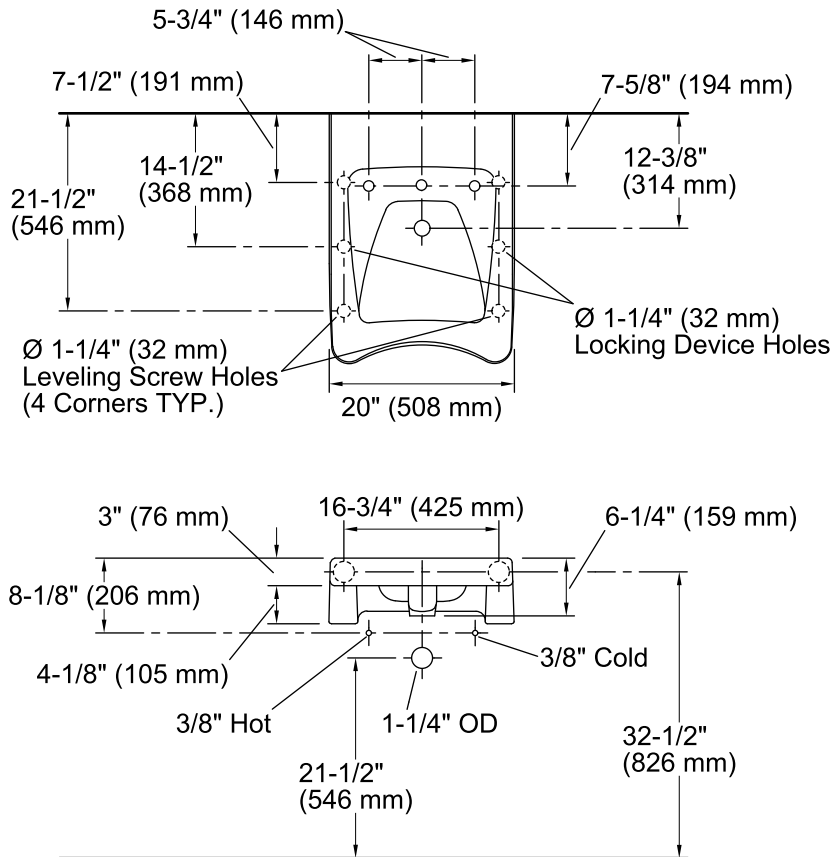
#### KOHLER® One-Year Limited Warranty

See website for detailed warranty information.

#### Available Color/Finishes

*Color tiles intended for reference only.*

Color	Code	Description
	0	White
	96	Biscuit
	47	Almond



### Technical Information

All product dimensions are nominal.

Bowl configuration: Single

Installation: Wall-mount

Bowl area (Only) Length: 14" (356 mm)  
Width: 13" (330 mm)  
Water depth: 2-5/8" (67 mm)

Number of deck holes: 3

Faucet hole(s): 1-3/8" (35 mm)

Drain hole: 1-3/4" (44 mm)

### Notes

Install this product according to the installation guide.

ADA compliant when installed to the specific requirements of these regulations.