

Features

- Vitreous china.
- Wall-mount.
- Deep squared basin.
- No faucet holes; requires wall-mount faucet.
- 1-1/2" (38 mm) top stud.
- Blow-out action flushing rim.
- 21-1/2" (546 mm) x 25" (635 mm)

Recommended Accessories

- K- 8935 Stainless Steel Rim Guard
- 13864 Cast Brass Loose Sink Strainer

Components

Additional included component/s: 1 1/2" (38mm) top stud.



Codes/Standards

ASME A112.19.2/CSA B45.1

KOHLER® One-Year Limited Warranty

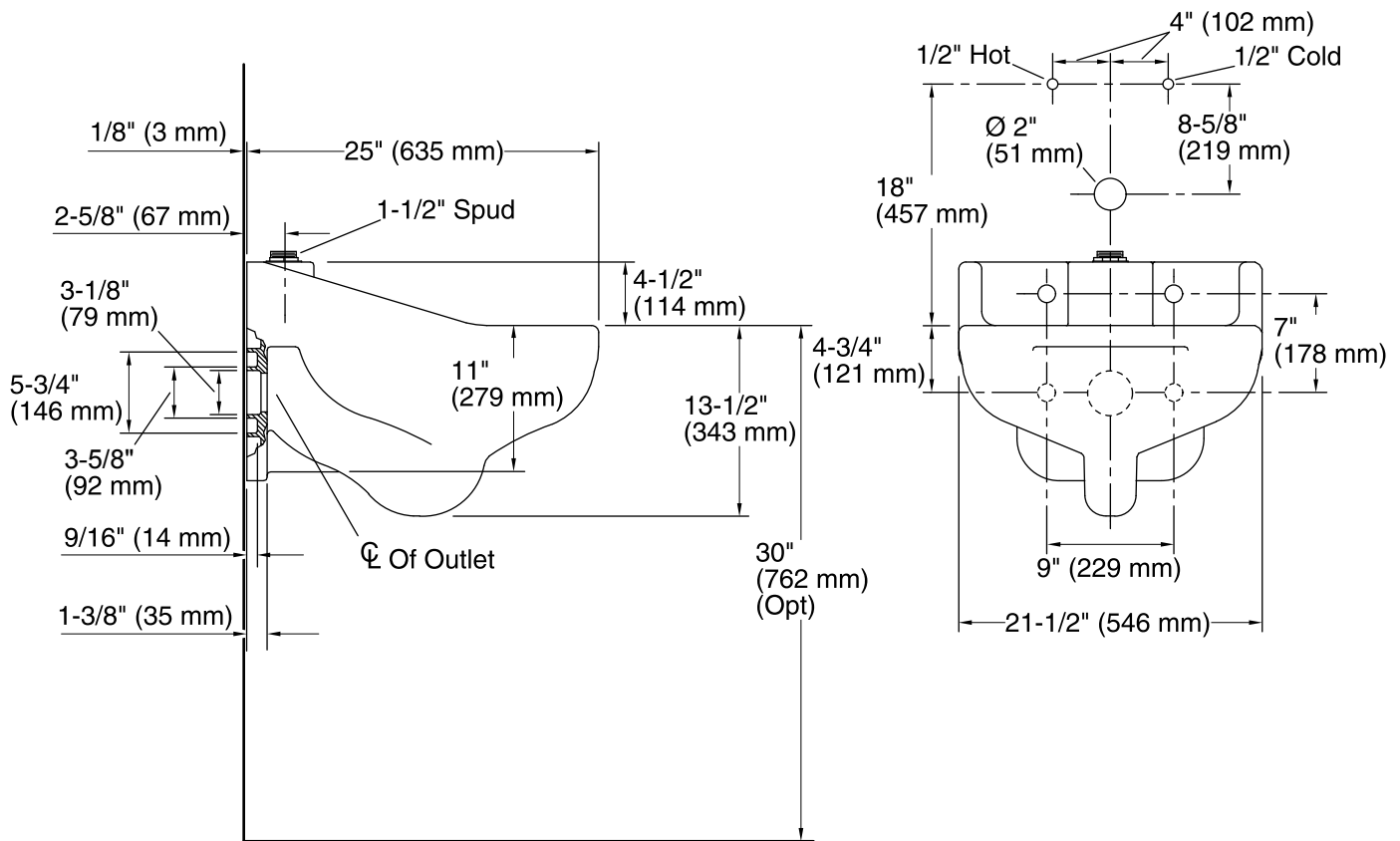
See website for detailed warranty information.

Available Color/Finishes

Color tiles intended for reference only.

Color	Code	Description
-------	------	-------------

	0	White
--	---	-------



Technical Information

All product dimensions are nominal.

Bowl configuration:	Single
Installation:	Wall-mount
Bowl area (Only)	Length: 18" (457 mm) Width: 18" (457 mm) Water depth: 6-1/4" (159 mm)
Under-mount kit:	none

Notes

Install this product according to the installation guide.

Minimum flowing pressure required: 25 psi (172.4 kPa)

Minimum flow rate required: 25 gpm (94.6 lpm)