

## Features

- Metal construction.
- Reversible quarter-turn washerless ceramic disc valves.
- For 4" (102 mm) centers.
- 6" (152 mm) threaded swing spout reach.
- Lever handles.
- Less drain.
- 2.2 gal/min (8.3 l/min) maximum flow rate [max at 60 psi (4.14 bar)].



**ADA**

## Codes/Standards

ASME A112.18.1/CSA B125.1

NSF 61

NSF 372

DOE - Energy Policy Act 1992

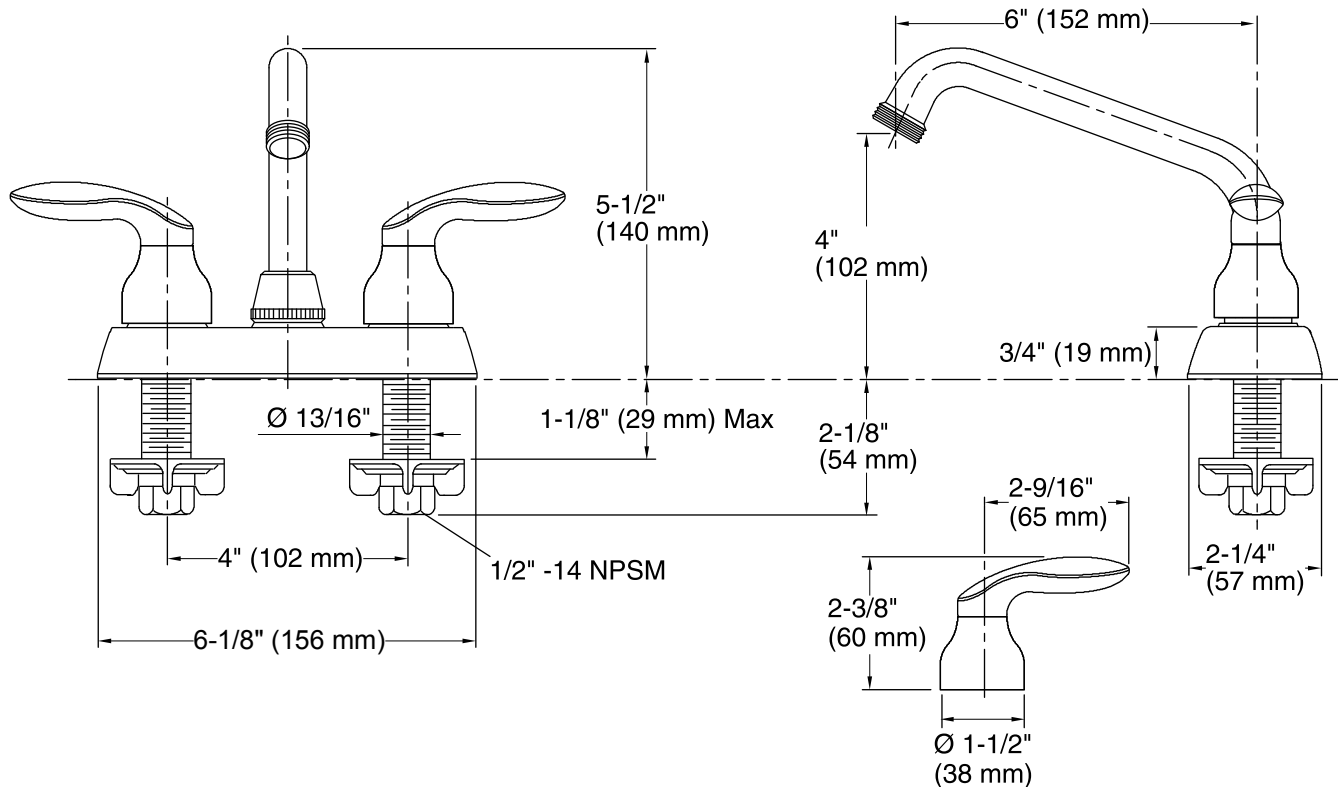
ADA

ICC/ANSI A117.1

All applicable US Federal and State material regulations

## **KOHLER® Faucet Lifetime Limited Warranty**

See website for detailed warranty information.



## Technical Information

All product dimensions are nominal.

Spout reach: 6" (152 mm)

### Faucet:

Flow rate: 2.2 gal/min (8.3 l/min)

Pressure: 60 psi (4.1 bar)

## Notes

Install this product according to the installation guide.

ADA compliant when installed to the specific requirements of these regulations.