

Features

- Vitreous china.
- Drop-in.
- Uniquely-shaped basin.
- With overflow.
- 8-inch centers.
- Coordinates with other products in the Cimarron collection.
- 23" (584 mm) x 18-3/16" (462 mm) x 7-7/8" (200 mm)

Recommended Accessories

K- 8998 P-Trap



ADA CSA B651 OBC

Codes/Standards








ASME A112.19.2/CSA B45.1
ADA
ICC/ANSI A117.1
CSA B651
OBC

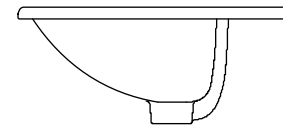
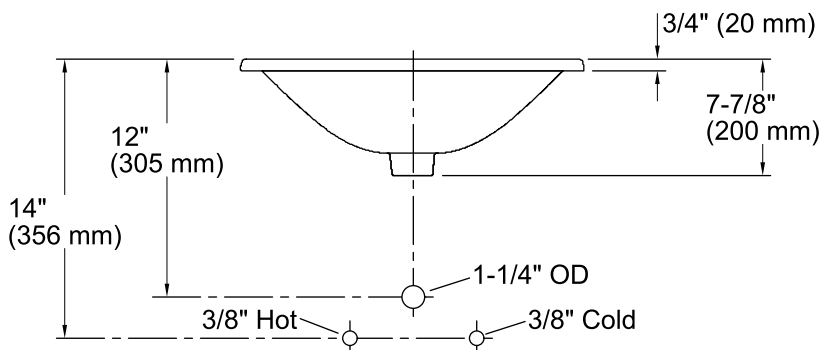
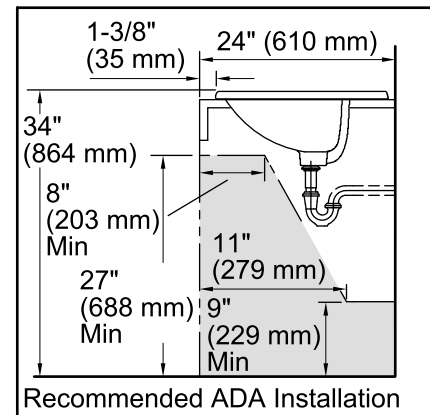
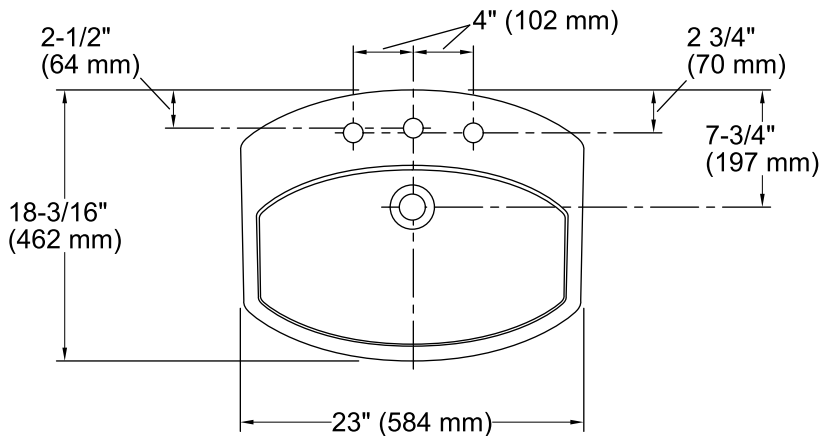
KOHLER® One-Year Limited Warranty

See website for detailed warranty information.

Available Color/Finishes

Color tiles intended for reference only.

| Color | Code | Description |
|--|------|--------------|
|  | 0 | White |
|  | 96 | Biscuit |
|  | 47 | Almond |
|  | NY | Dune |
|  | 95 | Ice™ Grey |
|  | G9 | Sandbar |
|  | 7 | Black Black™ |



Technical Information

All product dimensions are nominal.

| | |
|-----------------------|--|
| Bowl configuration: | Single |
| Installation: | Drop-In |
| Bowl area (Only) | Length: 20-3/8" (518 mm) Width: 11-1/2" (292 mm) Water depth: 3-5/8" (92 mm) |
| Number of deck holes: | 3 |
| Faucet hole(s): | 1-3/8" (35 mm) |
| Drain hole: | 1-3/4" (44 mm) |
| Template: | Drop-in, 1017302-7, required, included |

Notes

Install this product according to the installation guide.

NOTICE: Countertop manufacturer or cutter must use the cut-out template provided with the product, or a current one provided by Kohler Co. (call 1-800-4KOHLER). Kohler Co. is not responsible for cutout errors when the incorrect cut-out template is used.

ADA, OBC, CSA B651 compliant when installed to the specific requirements of these regulations.