

Features

- Drop-in/Under-mount Bathroom Sink.
- Drop-in or under-mount.
- Rectangular basin.
- Without overflow.
- No faucet holes; requires wall- or counter-mount faucet.
- 16-1/2" (419 mm) x 15-3/4" (400 mm)

Recommended Accessories

K- 9018 P-Trap

Components

Additional included component/s: Basin clamp assembly.



ADA

Codes/Standards










ASME A112.19.1/CSA B45.2
ADA
ICC/ANSI A117.1

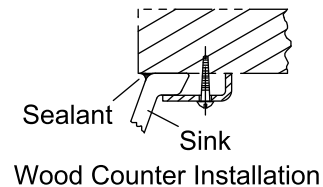
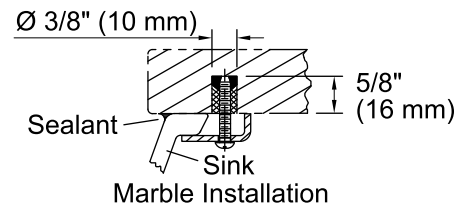
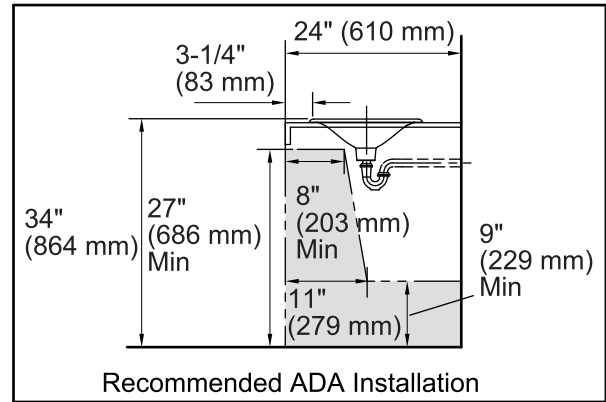
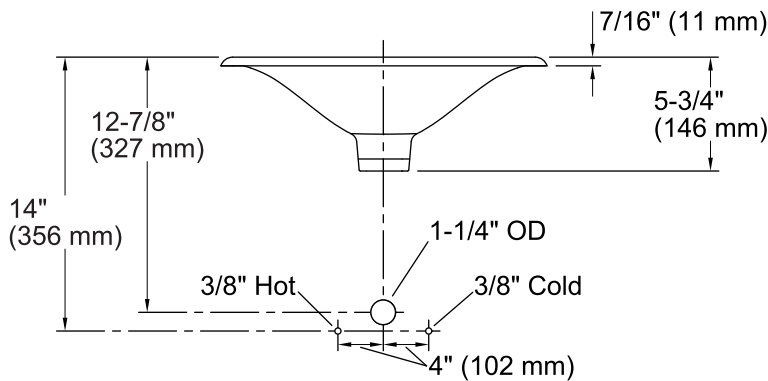
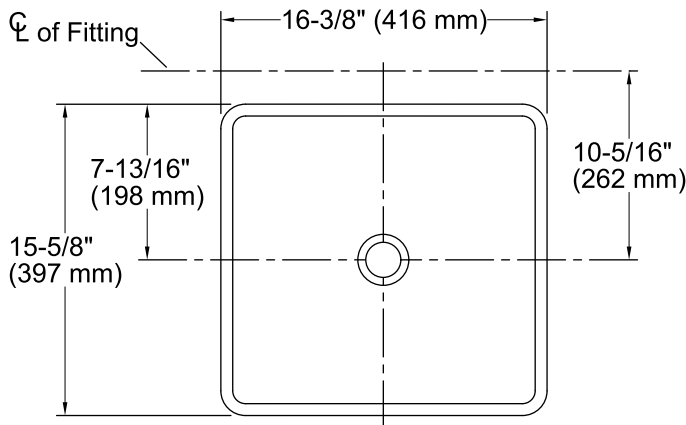
KOHLER® Lifetime Limited Warranty for Cast Iron Components

See website for detailed warranty information.

Available Color/Finishes

Color tiles intended for reference only.

Color	Code	Description
	0	White
	FF	Sea Salt™
	96	Biscuit
	47	Almond
	FD	Cane Sugar™
	KC	Vapour™ Blue
	KG	Vapour™ Green
	FT	Basalt
	KA	Black 'n Tan



Technical Information

All product dimensions are nominal.

Bowl configuration:	Single
Installation:	Drop-In, Under-mount
Bowl area (Only)	Length: 15-1/4" (387 mm) Width: 14-1/2" (368 mm) Water depth: 3-3/4" (95 mm)
Drain hole:	1-3/4" (44 mm)
Template:	Top-mount/Under-mount, 1053507-7, required, included

Notes

Install this product according to the installation guide.

Supplied basin clamp assemblies require 1" (25 mm) minimum countertop thickness. Installer must supply anchors for thinner countertops

NOTICE: The countertop manufacturer or cutter must use the cut-out template provided with the product, or a current one provided by the Kohler Co. (call 1-800-4KOHLER.) Kohler Co. is not responsible for cut-out errors when the incorrect cut-out template is used.

ADA compliant when installed to the specific requirements of these regulations.