



Undertone®
Under-mount Kitchen Sink
K-3148

Features

- 39-inch minimum base cabinet width.
- 18-gauge stainless steel.
- Under-mount.
- Double (equal) compartment.
- 9-1/2" (241 mm) deep bowls.
- With SilentShield® sound-absorption technology.
- 34-9/16" (878 mm) x 18-1/2" (470 mm)

Optional Accessories

- K- 2997 Sink Rack
- K- 2998 Sink Rack
- K- 6139 Sponge Caddy
- K- 8801 Sink Strainer

Components

- Product includes:
91915 Hardware Kit

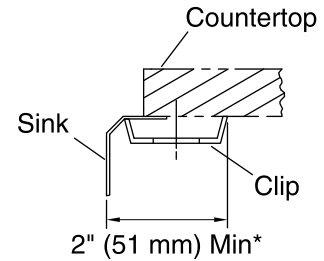
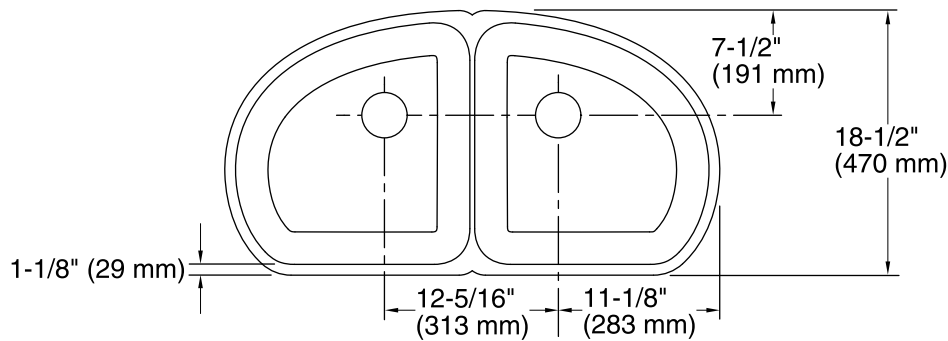


Codes/Standards

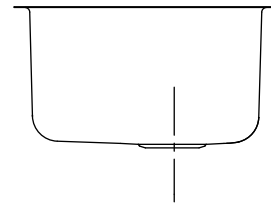
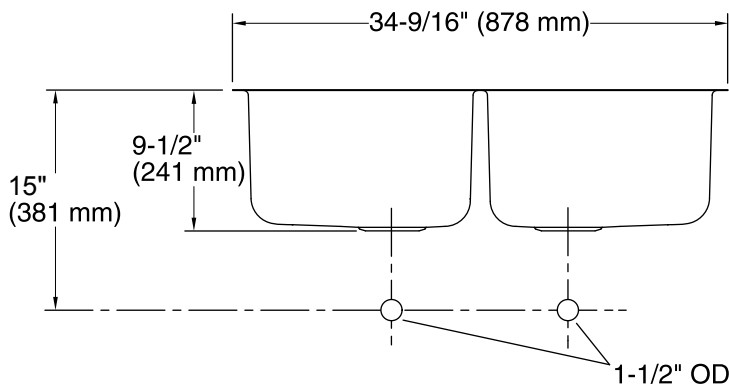
ASME A112.19.3/CSA B45.4

**Lifetime Limited Warranty for
KOHLER® Stainless Steel Sinks**

See website for detailed warranty information.



* Allow clearance around sink rim for clip attachment.



Technical Information

All product dimensions are nominal.

Bowl configuration:	Double equal
Installation:	Under-mount
Bowl area (Left)	Length: 15-5/8" (397 mm) Width: 16-1/8" (410 mm) Bowl depth: 9-1/2" (241 mm)
Bowl area (Right)	Length: 15-5/8" (397 mm) Width: 16-1/8" (410 mm) Bowl depth: 9-1/2" (241 mm)
Drain hole:	3-5/8" (92 mm)
Template:	Under-mount, 1040322-7, required, included

Notes

Install this product according to the installation guide.

Allow a minimum of 2" (51 mm) clearance around the sink rim for clip attachment.