



Cimarron® Comfort Height® Toilet K-3888-RA

Features

- Vitreous china.
- Two-piece toilet.
- Comfort Height® round-front bowl.
- AquaPiston® flushing system.
- Includes right-hand polished chrome trip lever.
- 1.6 gpf (6.0 lpf).
- 2-1/8" (54 mm) fully glazed trapway.
- 12" (305 mm) rough-in.
- Less seat and supply.
- 11" (279 mm) x 8-3/4" (222 mm) water area.
- 27-1/4" (692 mm) x 17-5/8" (448 mm) x 30-1/2" (775 mm).
- Floor mount / Floor outlet.

Recommended Accessories

- K- 7637 Angle Supply with Stop (single)

Optional Accessories

- K- 9466-R Right-hand Trip Lever
- K- 9470-R Right-hand Trip Lever

Components

Product includes:

- K- 4347 Comfort Height® Round-front Bowl
- K- 4167-RA Toilet Tank

Additional included component/s: Tank cover, Trip lever, Bolt cap accessory pack, and Tank accessory pack.



Codes/Standards




ASME A112.19.2/CSA B45.1
DOE - Energy Policy Act 1992

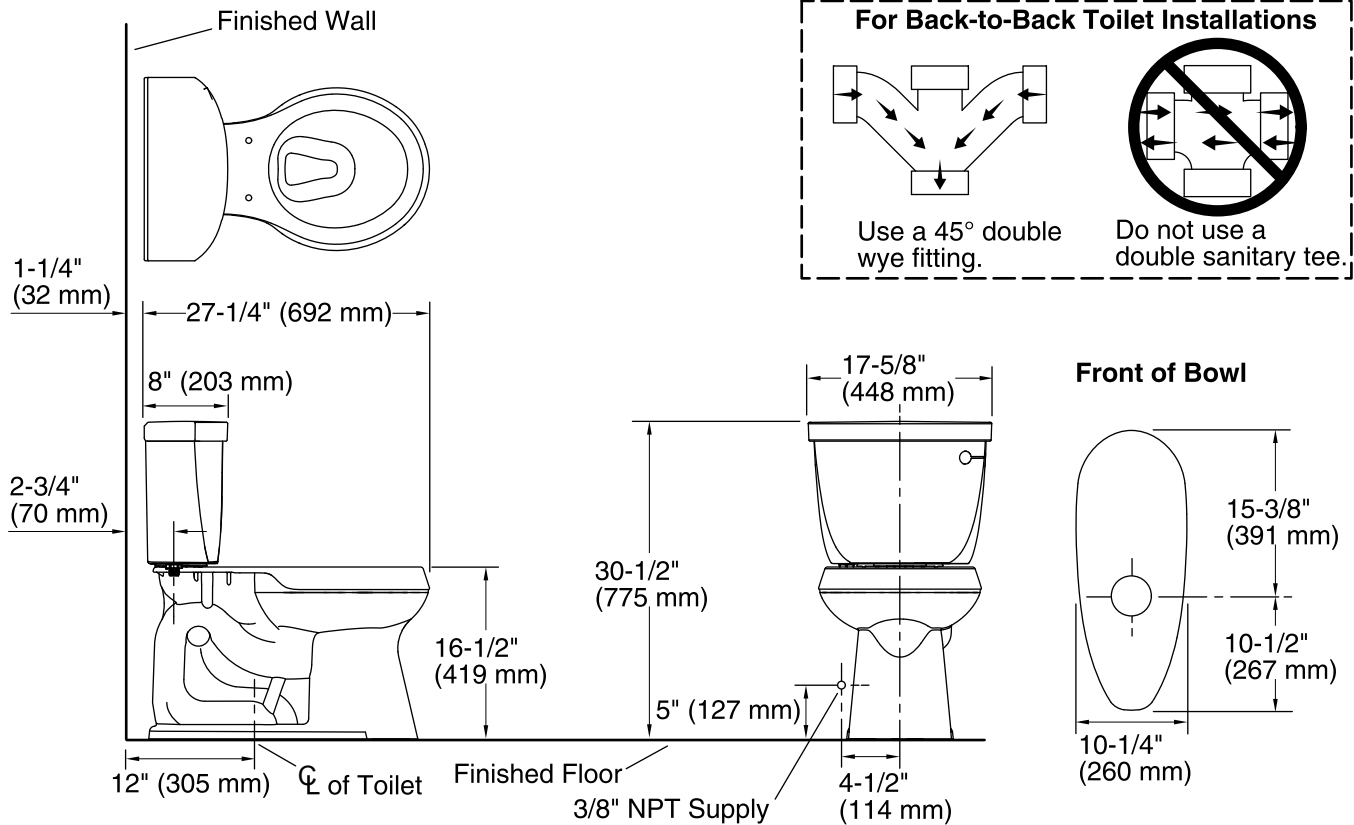
KOHLER® One-Year Limited Warranty

See website for detailed warranty information.

Available Color/Finishes

Color tiles intended for reference only.

Color	Code	Description
	0	White
	96	Biscuit
	47	Almond



Technical Information

All product dimensions are nominal.

Toilet type:	Two-piece
Bowl shape:	Round front
Flush type:	AquaPiston
Trap passageway:	2-1/8" (54 mm)
Water Consumption	
Full:	1.6 gpf (6 lpf)
Water surface size:	11" x 8-3/4" (279 mm x 222 mm)
Rim to water surface:	5-1/4" (133 mm)
Rough-in:	12" (305 mm)
Seat-mounting holes:	5-1/2" (140 mm)

Notes

Install this product according to the installation guide.

For back-to-back toilet installations: Use only a 45° double wye fitting.