

### Features

- Vitreous china.
- Two-piece toilet.
- Comfort Height® Round-front bowl.
- AquaPiston® flushing system.
- Includes left-hand polished chrome trip lever.
- 1.28 gpf (4.8 lpf).
- 2-1/8" (54 mm) fully glazed trapway.
- 10" (254 mm) rough-in.
- Less seat and supply.
- 11" (279 mm) x 8-3/4" (222 mm) water area.
- 27-1/4" (692 mm) x 17-5/8" (448 mm) x 30-1/2" (775 mm).
- Floor mount / Floor outlet.

### Recommended Accessories

K- 7637 Angle Supply with Stop (single)

### Optional Accessories

K- 9466-L Left-hand Trip Lever

K- 9470-L Left-hand Trip Lever

### Components

Product includes:

K- 4829 Toilet Bowl

K- 4166 Toilet Tank

Additional included component/s: Tank cover, Trip lever, Bolt cap accessory pack, and Tank accessory pack.



### Codes/Standards

ASME A112.19.2/CSA B45.1

DOE - Energy Policy Act 1992




EPA WaterSense®

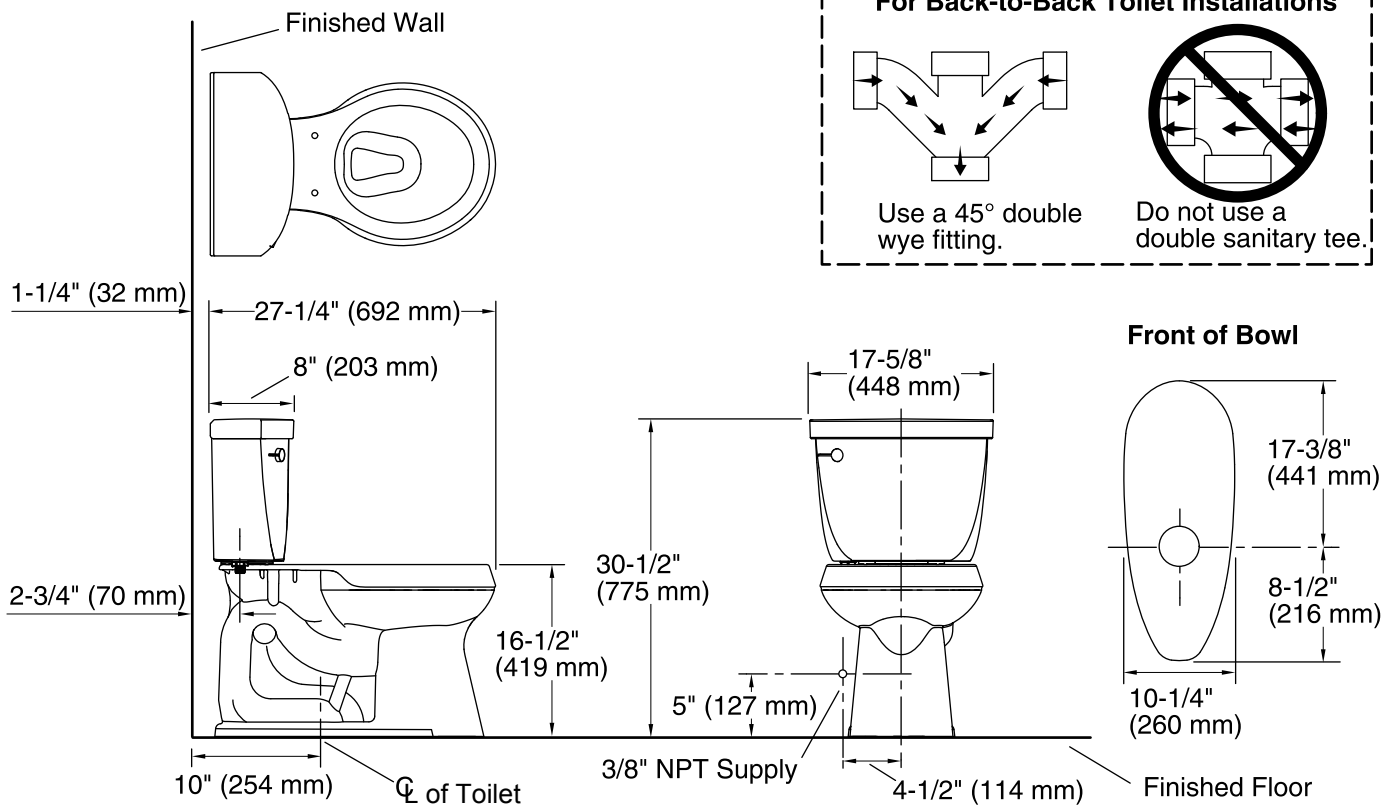
### KOHLER® One-Year Limited Warranty

See website for detailed warranty information.

### Available Color/Finishes

*Color tiles intended for reference only.*

Color	Code	Description
	0	White
	96	Biscuit
	47	Almond



## Technical Information

All product dimensions are nominal.

Toilet type:	Two-piece
Bowl shape:	Round front
Flush type:	AquaPiston
Trap passageway:	2-1/8" (54 mm)
Water Consumption	
Full:	1.28 gpf (4.8 lpf)
Water surface size:	11" x 8-3/4" (279 mm x 222 mm)
Rim to water surface:	5-1/4" (133 mm)
Rough-in:	10" (254 mm)
Seat-mounting holes:	5-1/2" (140 mm)

## Notes

Install this product according to the installation guide.

For back-to-back toilet installations: Use only a 45° double wye fitting.