



Vault™
Top-mount/Under-mount Kitchen Sink
K-3820-1

Features

- 36-inch minimum base cabinet width.
- 18-gauge stainless steel.
- Top-mount or under-mount.
- Double (equal) bowl.
- Single faucet hole.
- With SilentShield® sound-absorption technology.
- 33" (838 mm) x 22" (559 mm)

Optional Accessories

- K- 6429 Utility Rack
- K- 6432 Saddle Towel Bar
- K- 6434 Saddle Utility Rack
- K- 6667 Wood Cutting Board
- K- 8801 Sink Strainer
- 1177161 Installation Clip Kit

Components

- Product includes:
- 1130570 Hardware Kit, Self-Rimming
 - K- 6641 Sink Rack

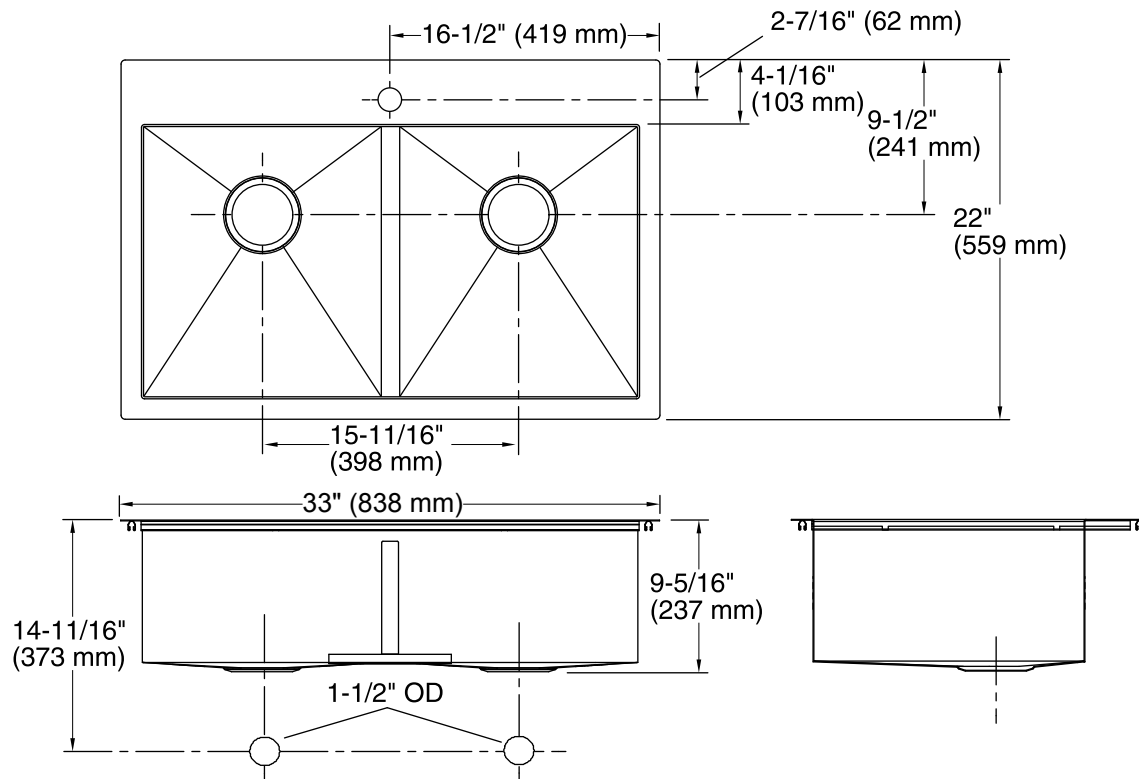


Codes/Standards

ASME A112.19.3/CSA B45.4

**Lifetime Limited Warranty for
KOHLER® Stainless Steel Sinks**

See website for detailed warranty information.



Technical Information

All product dimensions are nominal.

Bowl configuration:	Double equal
Installation:	Top-mount, Under-mount
Bowl area (Left)	Length: 14-9/16" (370 mm) Width: 16-9/16" (421 mm) Bowl depth: 9" (229 mm) Water depth: 9" (229 mm)
Bowl area (Right)	Length: 14-9/16" (370 mm) Width: 16-9/16" (421 mm) Bowl depth: 9" (229 mm) Water depth: 9" (229 mm)
Number of deck holes:	1
Faucet hole(s):	1-7/16" (37 mm)
Drain hole:	3-7/8" (98 mm)
Template:	Top-mount, 1130570, required, included

Notes

Install this product according to the installation guide.

Allow 3/4" (19 mm) clearance beyond the back of the bowl for the wood cutting board (optional accessory).