

Features

- Molded wood seat and lid.
- Metal hinges.
- Vibrant® Brushed Nickel hinges.
- Elongated closed-front.
- Ergonomically contoured seat and lid for user comfort.
- Exclusive seat design for K-3324 and K-3484 Kathryn toilets.



Codes/Standards

IAPMO/ANSI Z124.5

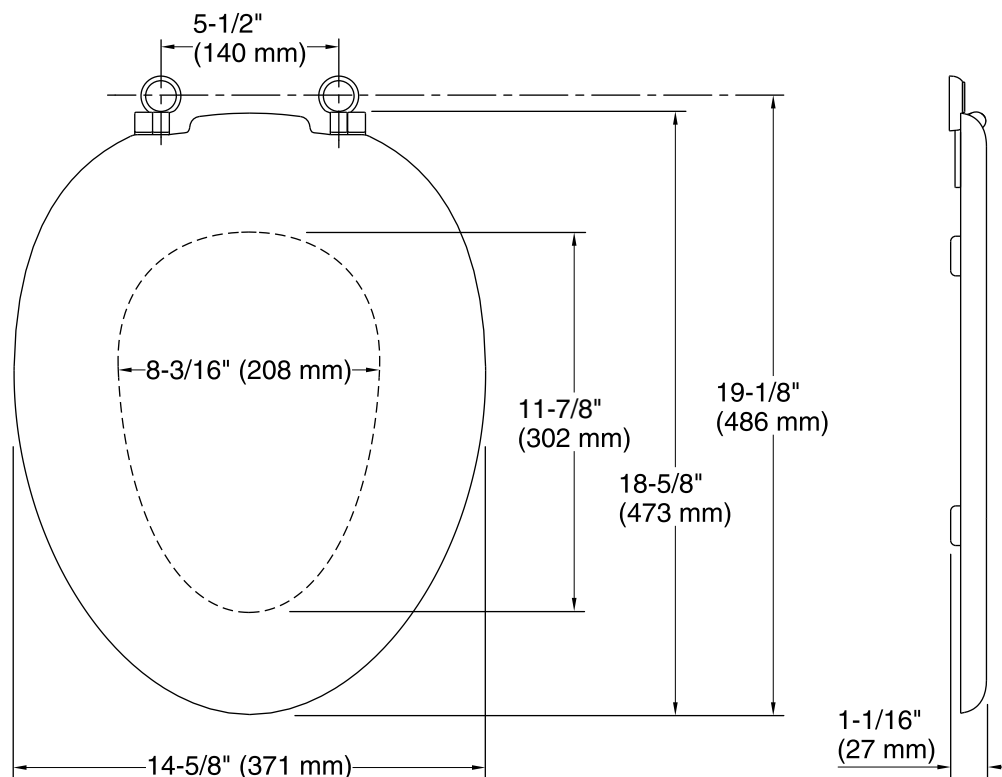
KOHLER® One-Year Limited Warranty

See website for detailed warranty information.

Available Color/Finishes

Color tiles intended for reference only.

Color	Code	Description
	0	White
	96	Biscuit
	NY	Dune
	NG	Tea Green
	7	Black Black™
	KP	Black Pearlescent
	KW	White Pearlescent



Technical Information

All product dimensions are nominal.

Seat shape type: Elongated

Seat front type: Closed front

Seat-mounting holes: 5-1/2" (140 mm)

Notes

Install this product according to the installation guide.