



**Millbrook™**  
Drinking Fountain  
**K-5264**

**Features**

- Vitreous china.
- Wall-mount.
- 1-1/4" trap with brushed chrome strainer.
- Includes supply fitting.

**Components**

Additional included component/s: Water Fountain, 1 1/4" Trap with Strainer, Access Plate, Supply Valve Sub Assembly, and Hanger Accessory Pack.



**Codes/Standards**

ASME A112.19.2/CSA B45.1

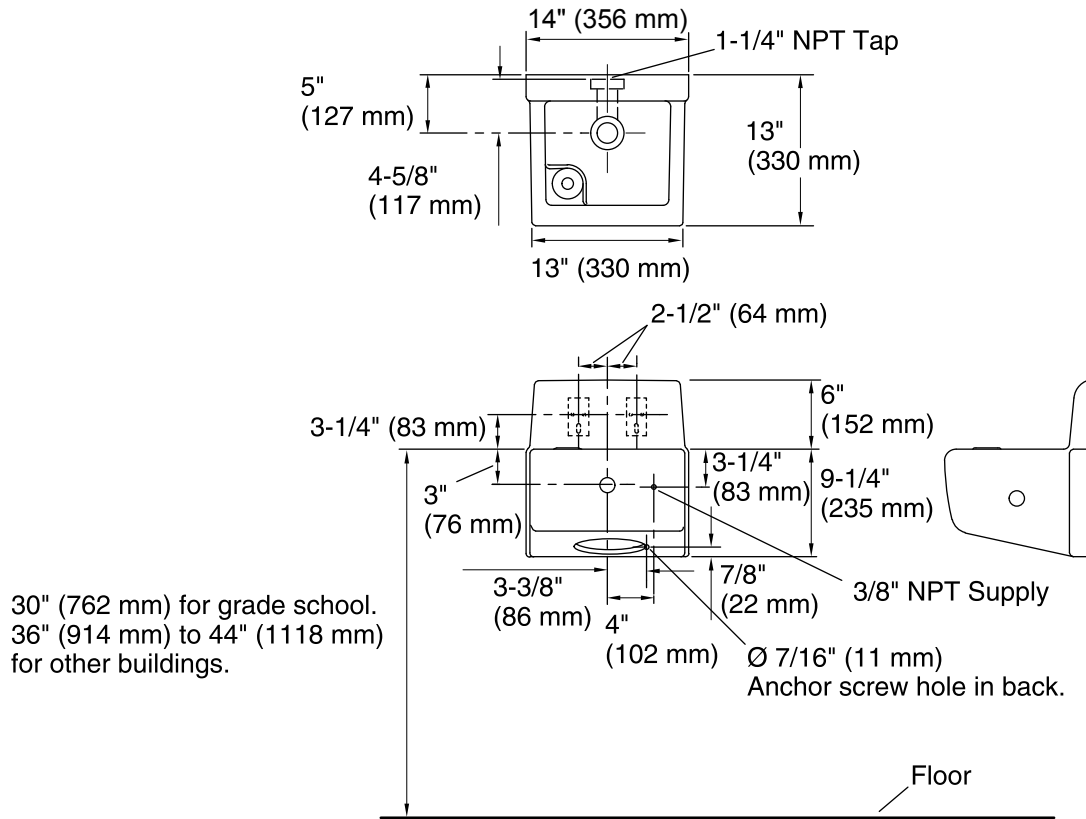
NSF 61

NSF 372

All applicable US Federal and State material regulations

**KOHLER® One-Year Limited Warranty**

See website for detailed warranty information.



### Technical Information

All product dimensions are nominal.

Bowl configuration: Single

Installation: Wall-mount

### Notes

Install this product according to the installation guide.